

Terminal adapter - HC-B 24-A-UT-PEL-M - 1648060

Please be informed that the data shown in this PDF Document is generated from our Online Catalog. Please find the complete data in the user's documentation. Our General Terms of Use for Downloads are valid (<http://download.phoenixcontact.com>)



HEAVYCON terminal adapter, pin insert, B24 series, 24-pos., for the left control cabinet panel, screw connection

Key commercial data

package_quantity	5
GTIN	4017918969684

Technical data

Dimensions

Drill hole distance, horizontal	104 mm
Height	71.6 mm

Ambient conditions

Ambient temperature (operation)	-40 °C ... 125 °C
---------------------------------	-------------------

Electrical characteristics

Note	For HEAVYCON ADVANCE panel mounting flange and HEAVYCON panel mounting base of type B24. Plug-in connections may only be operated only when there is no load/voltage.
Number of positions	24
Connection in acc. with standard	IEC / EN
Rated voltage (III/3)	500 V
Rated surge voltage	6 kV
Rated current	16 A

Mechanical characteristics

Design	B24
Screw thread	M3
Connection method	Screw connection
Tightening torque	0.5 Nm ... 0.8 Nm
Stripping length of the individual wire	12 mm
Conductor cross section	0.5 mm ² ... 2.5 mm ²
Connection cross section AWG	20 ... 14

General

Contact material	Copper alloy
------------------	--------------

Terminal adapter - HC-B 24-A-UT-PEL-M - 1648060

Technical data

General

Contact surface material	Ag
Contact carrier material	PA
Pollution degree	3
Surge voltage category	III
Inflammability class according to UL 94	V0
Connection in acc. with standard	IEC / EN
Assembly instructions	Coding also using the CP-HC (1686478) coding profiles. HC-B6../HC-B10..for two coding profiles. HC-B16../HC-B24..for four coding profiles.
Installation instructions	Connectors may only be actuated when there is no load/voltage.

classifications

eCl@ss

eCl@ss 4.0	27140816
eCl@ss 4.1	27140816
eCl@ss 5.0	27143424
eCl@ss 5.1	27143424
eCl@ss 6.0	27143424
eCl@ss 7.0	27440205
eCl@ss 8.0	27440205

ETIM

ETIM 3.0	EC000438
ETIM 4.0	EC000438
ETIM 5.0	EC000438

UNSPSC

UNSPSC 6.01	30211923
UNSPSC 7.0901	39121522
UNSPSC 11	39121522
UNSPSC 12.01	39121522
UNSPSC 13.2	39121522

approvals

CSA / UL Recognized / cUL Recognized / cULus Recognized /

Approval details



Terminal adapter - HC-B 24-A-UT-PEL-M - 1648060

approvals

Nominal voltage UN	600 V
Nominal current IN	13 A
mm ² /AWG/kcmil	22-14

UL Recognized	
Nominal voltage UN	600 V
Nominal current IN	13 A
mm ² /AWG/kcmil	22-14

cUL Recognized	
Nominal voltage UN	600 V
Nominal current IN	13 A
mm ² /AWG/kcmil	22-14

cULus Recognized	
-------------------------	--

accessories

Mounting material

HC-KA-FE - 1775240



HC-VSH - 1660083



Terminal adapter - HC-B 24-A-UT-PEL-M - 1648060

accessories

HC-B-PES - 1604997



HC-B-3PE - 1644326



Coding element

CP-HC - 1686478



HC-CST - 1676857



HC-CBU - 1676860



Terminal adapter - HC-B 24-A-UT-PEL-M - 1648060

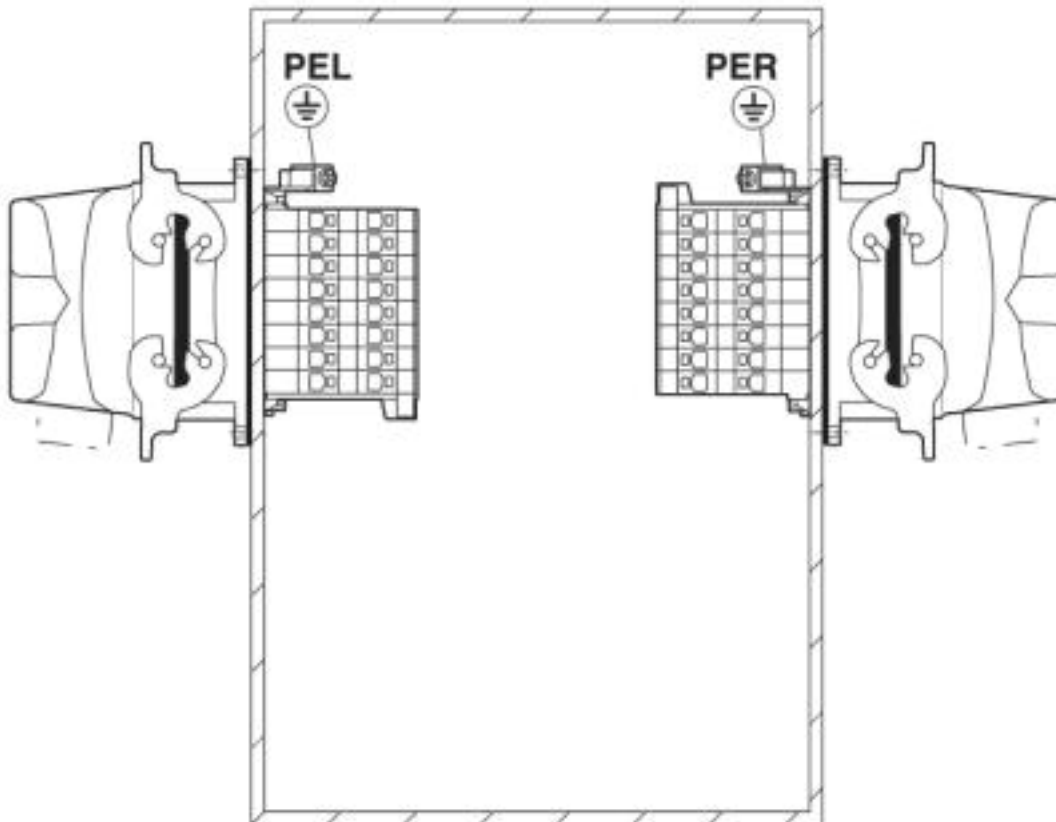
accessories

HC-CB - 1772722



Drawings

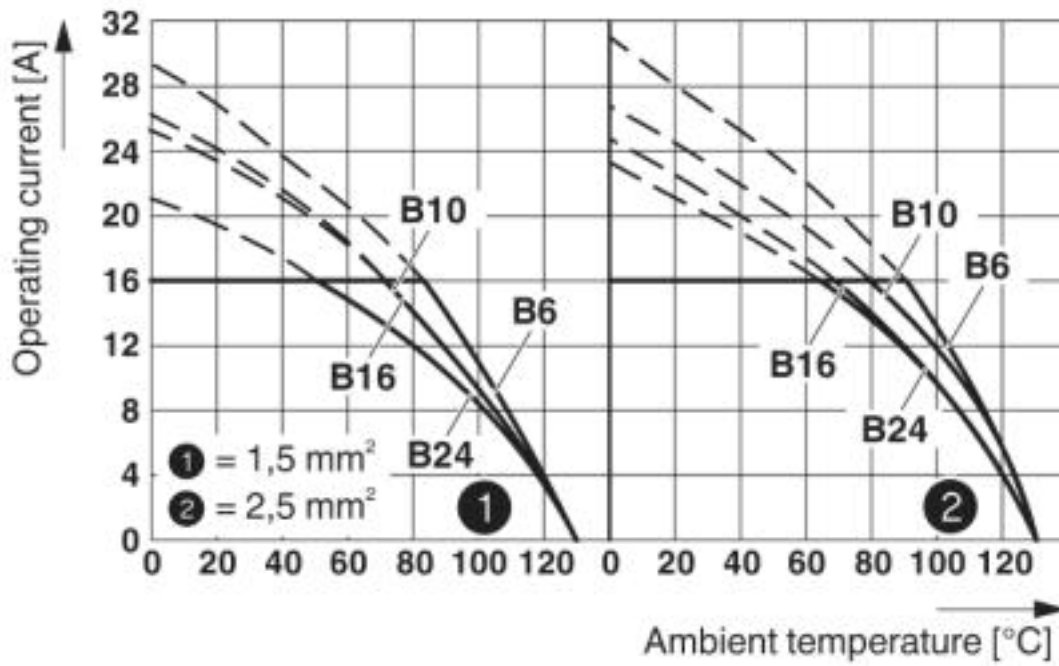
Application drawing



Mounting position PE connection left/right (PEL/PER)

Terminal adapter - HC-B 24-A-UT-PEL-M - 1648060

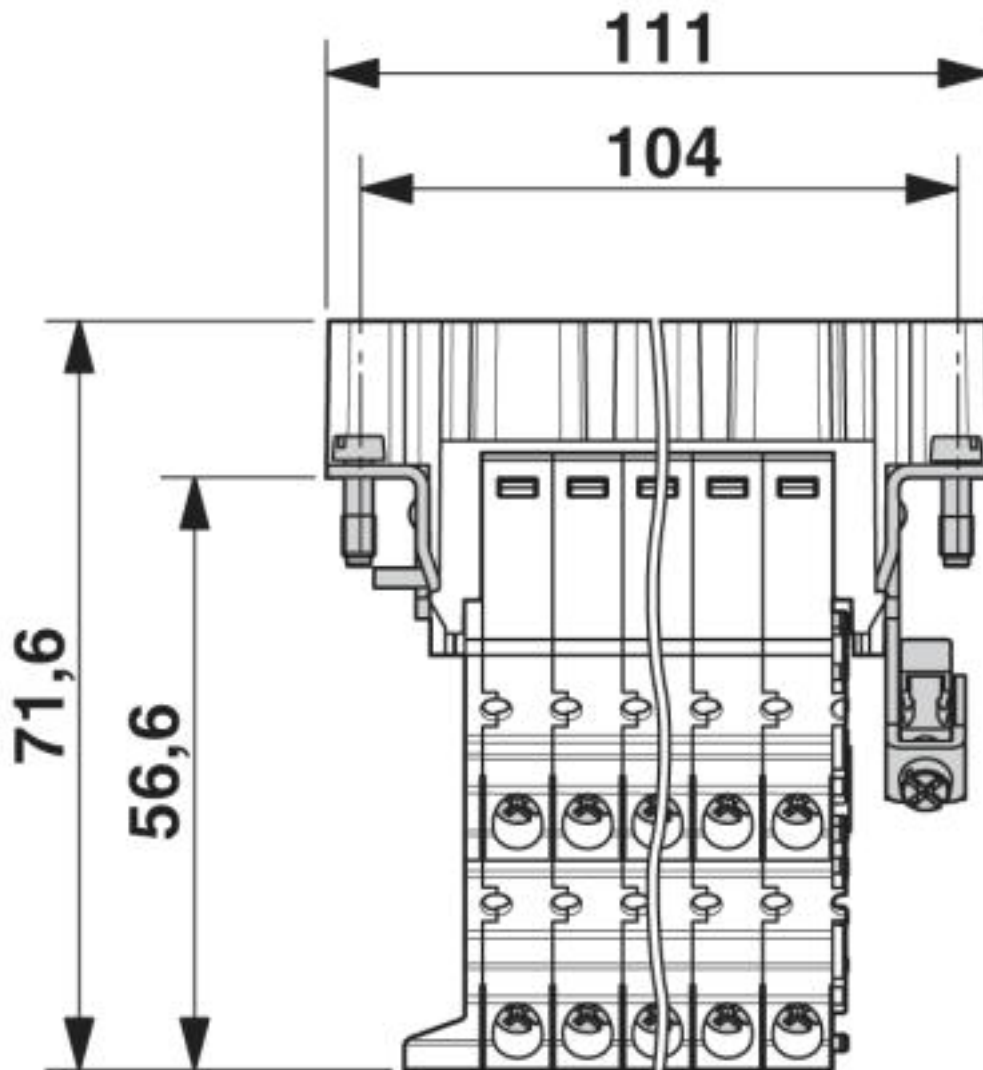
Diagram



Derating diagram

Terminal adapter - HC-B 24-A-UT-PEL-M - 1648060

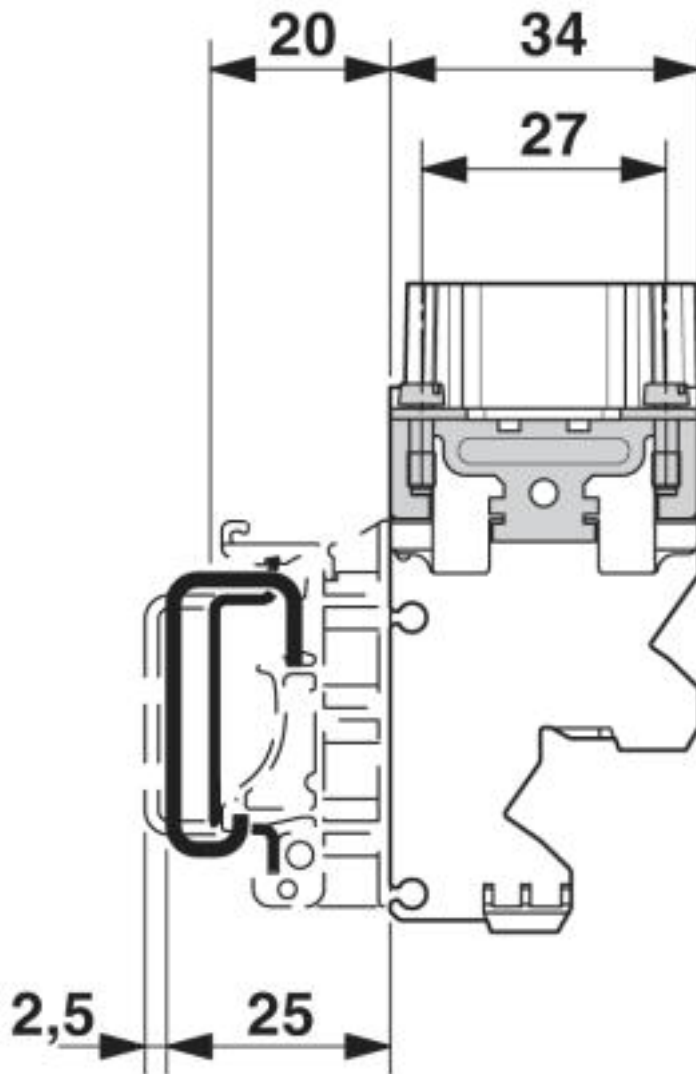
Dimensioned drawing



Connection side

Terminal adapter - HC-B 24-A-UT-PEL-M - 1648060

Dimensioned drawing



Side view

© Phoenix Contact 2013 - all rights reserved
<http://www.phoenixcontact.com>