

Housing - VC-MP-T1-Z - 1884898

Please be informed that the data shown in this PDF Document is generated from our Online Catalog. Please find the complete data in the user's documentation. Our General Terms of Use for Downloads are valid (<http://download.phoenixcontact.com>)



Metal sleeve housing, powder-coating, locking screws with cylindrical head, type 1, cable screw connection Pg16

The illustration shows version VC-MP-T3-Z

Key commercial data

package_quantity	5
GTIN	4017918187026

Technical data

Dimensions

Height	65 mm
---------------	-------

Ambient conditions

Degree of protection	IP65/IP66/IP67
Ambient temperature (operation)	-40 °C ... 125 °C

General

Note	When using fiber optics, the bending radii of the cable manufacturers must be observed.
Design	VC1
Degree of protection	IP65/IP66/IP67
Locking type	Screw locking, cylinder head
Tightening torque, mounting screw	1.5 Nm ± 0.3 Nm
Type of the screw connection	1x Pg16
Pg screw connection	None
Cable exit	Angled
Number of module slots	2
Housing material	Zinc die-cast
Housing surface material	Powder coating
Seal material	EPDM
Ambient temperature (operation)	-40 °C ... 125 °C

classifications

eCl@ss

Housing - VC-MP-T1-Z - 1884898

classifications

eCl@ss

eCl@ss 4.0	27140816
eCl@ss 4.1	27140816
eCl@ss 5.0	27371205
eCl@ss 5.1	27371205
eCl@ss 6.0	27371205
eCl@ss 7.0	27371205
eCl@ss 8.0	27371205

ETIM

ETIM 2.0	EC000437
ETIM 3.0	EC000437
ETIM 4.0	EC000437
ETIM 5.0	EC000437

UNSPSC

UNSPSC 6.01	31261502
UNSPSC 7.0901	31261502
UNSPSC 11	31261502
UNSPSC 12.01	31261502
UNSPSC 13.2	31261502

accessories

Half screw connection

VC-M-KV-PG16(4- 6,5) - 1853942



VC-M-KV-PG16(6,5- 9,5) - 1853968



Housing - VC-MP-T1-Z - 1884898

accessories

VC-M-KV-PG16(9-13) - 1853984



VC-M-KV-PG16(11,5-15,5) - 1854857



VC-M-KV-PG16(5- 8) - 1853955



VC-M-KV-PG16(7-10,5) - 1853971



VC-M-KV-PG16(11,5-15,5) - 1854857



Multiple screw connection

Housing - VC-MP-T1-Z - 1884898

accessories

VC-M-KV-PG16 1X6/1X8 - 1885473



VC-M-KV-PG16 1X5/2X6 - 1885509



VC-M-KV-PG16 3X7 - 1885525



VC-M-KV-PG16 1X3/1X9 - 1885460



VC-M-KV-PG16 1X6/1X8 - 1885473



VC-M-KV-PG16 1X3/2X8 - 1885499



Housing - VC-MP-T1-Z - 1884898

accessories

VC-M-KV-PG16 2X6/1X7 - 1885512



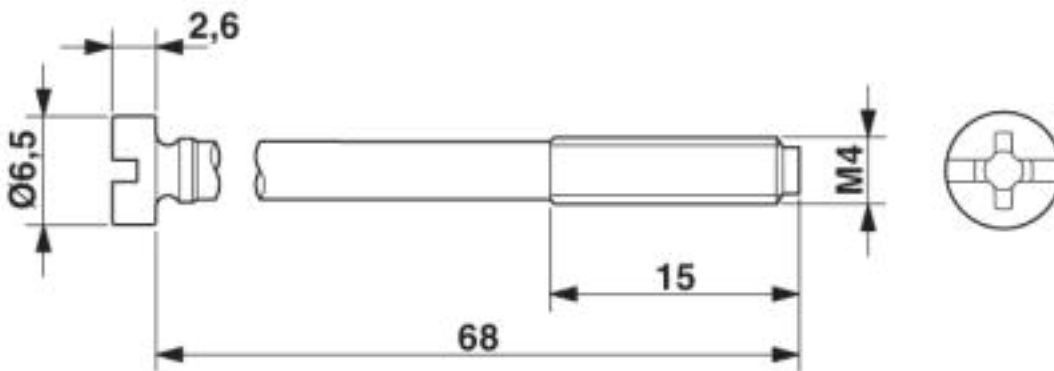
accessories

VC-BZS WH - 1852875



Drawings

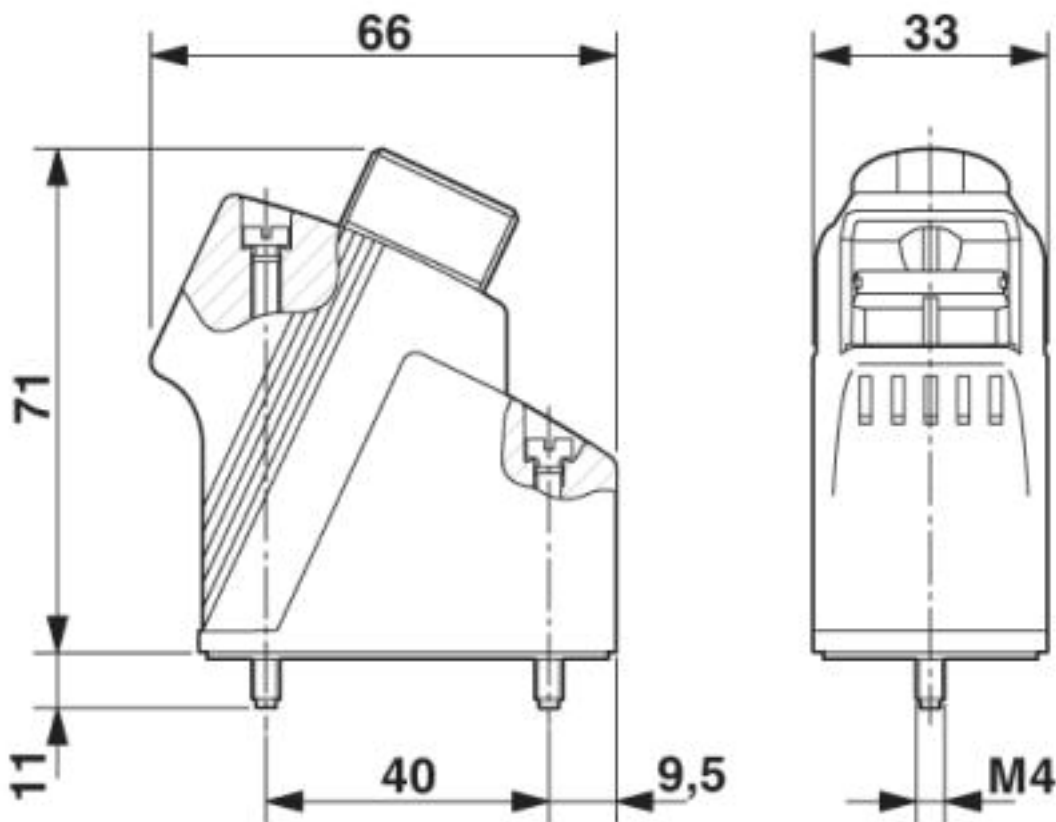
Dimensioned drawing



Dimensioned drawing

Housing - VC-MP-T1-Z - 1884898

Dimensioned drawing



Dimensioned drawing

