

Power/input isolating amplifier - MACX MCR-EX-SL-RPSSI-I-SP - 2924016

Please be informed that the data shown in this PDF Document is generated from our Online Catalog. Please find the complete data in the user's documentation. Our General Terms of Use for Downloads are valid (<http://download.phoenixcontact.com>)



Ex-i repeater power supply and input signal conditioner, HART. Sends fed or active 0/4-20 mA signals from the Ex area to a load (active or passive) to the safe area. Electrical 3-way isolation, SIL 2 in accordance with IEC 61508.

The illustration shows the versions with screw connection

Product Features

- Power supply possible via DIN rail connector
- Up to SIL 2 according to EN 61508
- Installation in zone 2, protection type "n" (EN 60079-15) permitted
- 0/4 ... 20 mA input, [Ex ia] IIC (powered or not powered)
- 3-way electrical isolation
- Terminal point with 250 Ω resistor to increase HART impedance for low-resistance systems
- Plug-in screw or spring-cage connection technology (Push-in technology), with integrated sockets for HART communicators
- Bidirectional transmission of digital HART communication signals
- 0/4 ... 20 mA output (active or passive)



Key commercial data

package_quantity	1
GTIN	4046356338066

Technical data

Note:

Utilization restriction	EMC: class A product, see manufacturer's declaration in the download area
-------------------------	---

Dimensions

Width	12.5 mm
Height	99 mm
Depth	114.5 mm

Ambient conditions

Ambient temperature (operation)	-20 °C ... 60 °C (Any mounting position)
Ambient temperature (storage/transport)	-40 °C ... 80 °C

Power/input isolating amplifier - MACX MCR-EX-SL-RPSSI-I-SP - 2924016

Technical data

Ambient conditions

Maximum altitude	≤ 2000 m
Permissible humidity (operation)	10 % ... 95 % (no condensation)
Degree of protection	IP20

Input data

Current input signal	0 mA ... 20 mA
Current input signal	4 mA ... 20 mA
Transmitter supply voltage	> 16 V (at 20 mA)
Voltage drop	< 3.5 V (in input isolating amplifier operation)

Output data

Signal output	Current output
Current output signal	0 mA ... 20 mA (active)
Current output signal	4 mA ... 20 mA (active)
Current output signal	0 mA ... 20 mA (14 ... 26 V ext. source voltage)
Current output signal	4 mA ... 20 mA (14 ... 26 V ext. source voltage)
Transmission Behavior	1:1 to input signal
Load/output load current output	< 600 Ω
Output ripple	< 20 mV _{rms}

Power supply

Nominal supply voltage	24 V DC
Supply voltage range	19.2 V DC ... 30 V DC
Max. current consumption	< 60 mA (at 24 V DC)
Power consumption	< 1.1 W (at 24 V DC / 20 mA)

Connection data

Conductor cross section solid min.	0.2 mm ²
Conductor cross section solid max.	1.5 mm ²
Conductor cross section stranded min.	0.2 mm ²
Conductor cross section stranded max.	1.5 mm ²
Conductor cross section AWG/kcmil min.	24
Conductor cross section AWG/kcmil max	16
Stripping length	8 mm
Connection method	Spring-cage conn.

General

No. of channels	1
Maximum transmission error	< 0.1 % (of final value)
Transmission error, typical	< 0.05 % (of final value)
Maximum temperature coefficient	< 0.01 %/K
Step response (10-90%)	< 600 μs (for 4 mA ... 20 mA step)
Status display	Green LED (supply voltage)

Power/input isolating amplifier - MACX MCR-EX-SL-RPSSI-I-SP - 2924016

Technical data

General

Inflammability class according to UL 94	V0
Pollution degree	2
Surge voltage category	II
Housing material	PA 66-FR
Color	green
Name	Input/output/power supply
Electrical isolation	300 V _{rms} (Rated insulation voltage (surge voltage category II; pollution degree 2, safe isolation as per EN 61010-1))
Electrical isolation	2.5 kV (50 Hz, 1 min., test voltage)
Name	Input/output
Electrical isolation	375 V (Peak value in accordance with EN 60079-11)
Name	Input/power supply
Electrical isolation	375 V (Peak value in accordance with EN 60079-11)
Conformance	CE-compliant, additionally EN 61326
ATEX	# II (1) G [Ex ia Ga] IIC/IIB
ATEX	# II (1) D [Ex ia Da] IIIC
ATEX	# II 3 (1) G Ex nA [ia Ga] IIC/IIB T4 Gc
IECEX	[Ex ia Ga] IIC/IIB
IECEX	[Ex ia Da] IIIC
IECEX	Ex nA [ia Ga] IIC/IIB T4 Gc
UL, USA / Canada	Class I Div 2; IS for Class I, II, III Div 1
Functional safety (SIL)	SIL 2 according to EN 61508

Data communication (bypass)

HART function	Yes
Protocols supported	HART

Safety characteristic data

Integrity requirement	IEC 61508 - Low demand
Equipment type	Type A
Safety Integrity Level (SIL)	Up to 2
Safe Failure Fraction (SFF)	90.7 %
λ_{SU}	4.867×10^{-7} (486.7 FIT)
λ_{SD}	0
λ_{DU}	5×10^{-8} (50 FIT)
λ_{DD}	0
Probability of a hazardous failure on demand (PFD_{AVG})	2.19×10^{-4} (1 year)
Probability of a hazardous failure on demand (PFD_{AVG})	8.76×10^{-4} (years)
Probability of a hazardous failure on demand (PFD_{AVG})	1.1×10^{-3} (5 years)
Diagnostic coverage (DC)	(DC _S = 0%, DC _D = 0%)
Integrity requirement	IEC 61508 - High demand

Power/input isolating amplifier - MACX MCR-EX-SL-RPSSI-I-SP - 2924016

Technical data

Safety characteristic data

Equipment type	Type A
Safety Integrity Level (SIL)	Up to 2
Safe Failure Fraction (SFF)	90.7 %
λ_{SU}	4.867×10^{-7} (486.7 FIT)
λ_{DU}	5×10^{-8} (50 FIT)
λ_{DD}	0
Probability of a hazardous failure per hour (PFH_D)	$4,99 \times 10^{-8}$
Diagnostic coverage (DC)	(DC _S = 0%, DC _D = 0%)

Safety data

Max. output voltage U_o	25.2 V
Max. output current I_o	93 mA
Max. output power P_o	587 mW
Gas group	IIC
Max. external inductivity L_o	2 mH
Max. external capacity C_o	107 nF
Safety-related maximum voltage U_m	253 V AC (125 V DC)
Input voltage U_i	≤ 30 V
Input current I_i	≤ 130 mA
Input power P_i	(negligible)
Max. internal capacitance C_i	(negligible)

classifications

eCl@ss

eCl@ss 4.0	27210121
eCl@ss 4.1	27210121
eCl@ss 5.0	27210121
eCl@ss 5.1	27210121
eCl@ss 6.0	27210121
eCl@ss 7.0	27210121
eCl@ss 8.0	27210121

ETIM

ETIM 2.0	EC001431
ETIM 3.0	EC001596
ETIM 4.0	EC001596
ETIM 5.0	EC001596

UNSPSC

UNSPSC 6.01	30211506
--------------------	----------

Power/input isolating amplifier - MACX MCR-EX-SL-RPSSI-I-SP - 2924016

classifications

UNSPSC

UNSPSC 7.0901	39121008
UNSPSC 11	39121008
UNSPSC 12.01	39121008
UNSPSC 13.2	39121008

approvals

IECEX / ATEX / UL Listed / cUL Listed / cULus Listed / UL Listed / cUL Listed / Functional Safety / cULus Listed / GL /

Approval details

IECEX
ATEX
UL Listed
cUL Listed
cULus Listed
Functional Safety

Power/input isolating amplifier - MACX MCR-EX-SL-RPSSI-I-SP - 2924016

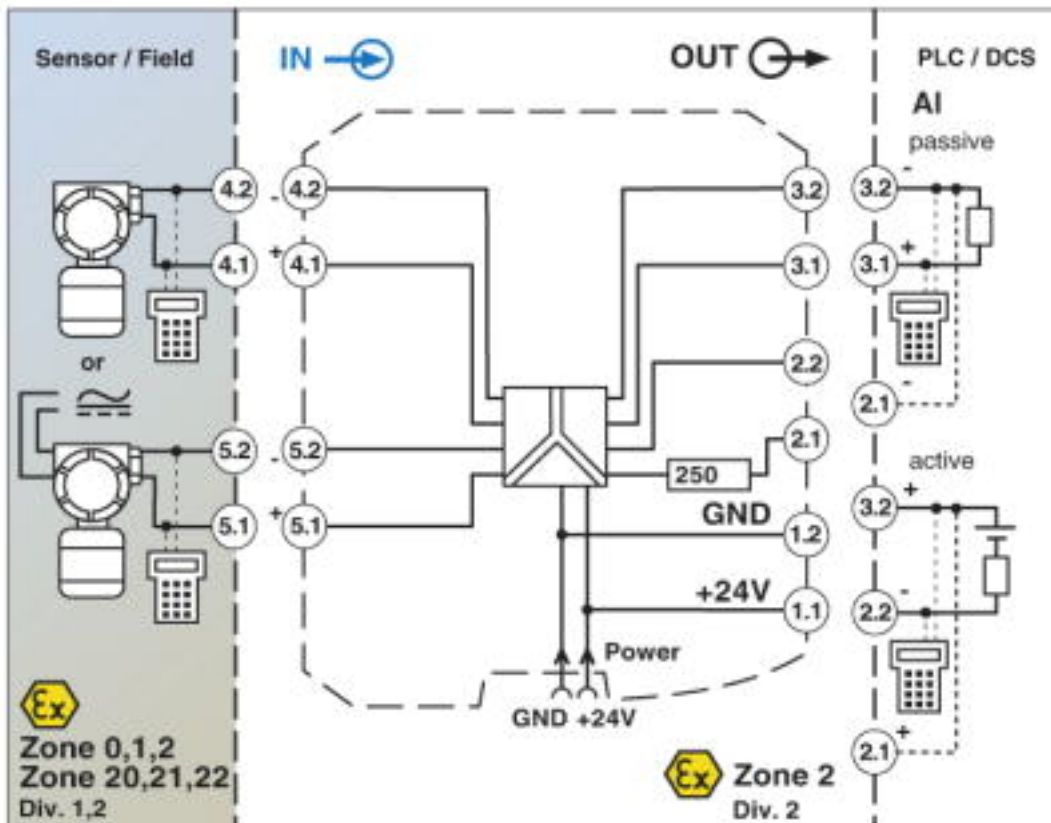
approvals



GL

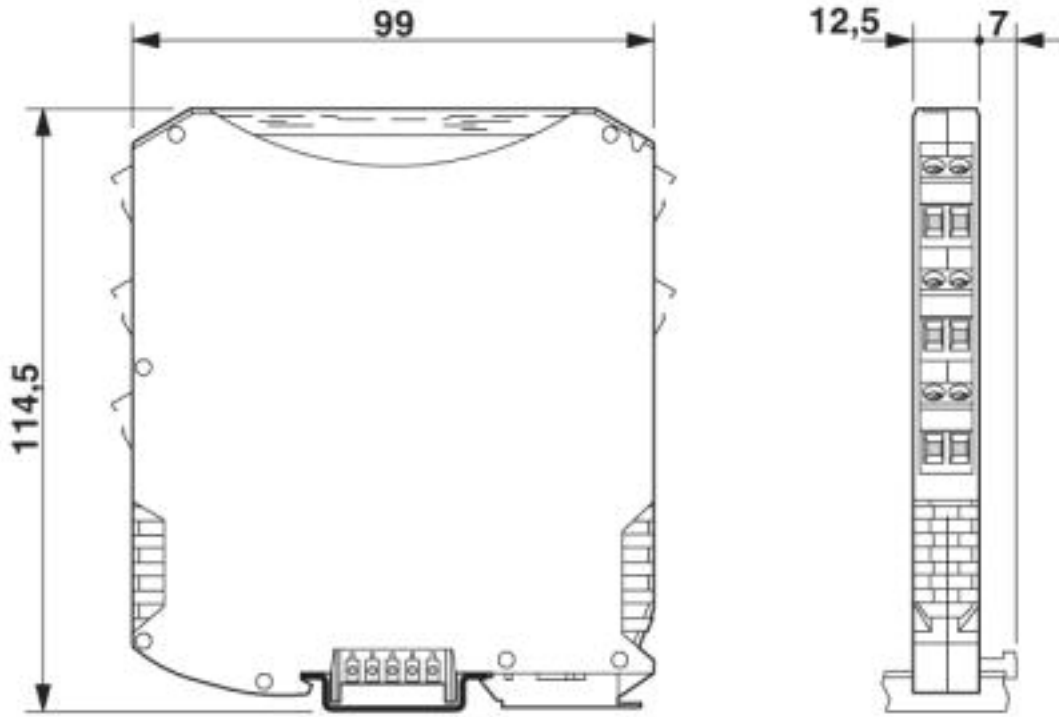
Drawings

Block diagram



Power/input isolating amplifier - MACX MCR-EX-SL-RPSSI-I-SP - 2924016

Dimensioned drawing



© Phoenix Contact 2013 - all rights reserved
<http://www.phoenixcontact.com>