

# D-SUB contact support - VS-09-BU-DSUB-CD-B - 1688861

Please be informed that the data shown in this PDF Document is generated from our Online Catalog. Please find the complete data in the user's documentation. Our General Terms of Use for Downloads are valid (<http://download.phoenixcontact.com>)



D-SUB contact carrier, shell size 1, for nine signal contacts, contact type socket, for crimp contacts, straight, fixing with a 3 mm hole, for panel mounting frame and sleeve housing VS-09-...

## Key commercial data

<b>package_quantity</b>	10
<b>GTIN</b>	4017918822996

## Technical data

### Mechanical characteristics

<b>Number of positions</b>	9
<b>Connection profile</b>	D-SUB 9
<b>Insertion/withdrawal cycles</b>	≥ 500
<b>Connection method</b>	Crimp connection

### Ambient conditions

<b>Ambient temperature (operation)</b>	-55 °C ... 125 °C
--	-------------------

### Material data

<b>Inflammability class according to UL 94</b>	V0
<b>Housing material</b>	Steel, yellow chromated
<b>Contact carrier material</b>	Polyester GF

### Electrical characteristics

<b>Rated voltage (III/3)</b>	125 V
<b>Rated surge voltage</b>	1 kV
<b>Rated current</b>	5 A

## classifications

### eCl@ss

<b>eCl@ss 4.0</b>	27140816
<b>eCl@ss 4.1</b>	27260701
<b>eCl@ss 5.0</b>	27260701
<b>eCl@ss 5.1</b>	27260701
<b>eCl@ss 6.0</b>	27260705
<b>eCl@ss 7.0</b>	27440309

# D-SUB contact support - VS-09-BU-DSUB-CD-B - 1688861

## classifications

eCl@ss

eCl@ss 8.0	27440309
------------	----------

ETIM

ETIM 2.0	EC000438
ETIM 3.0	EC000438
ETIM 4.0	EC000438
ETIM 5.0	EC000438

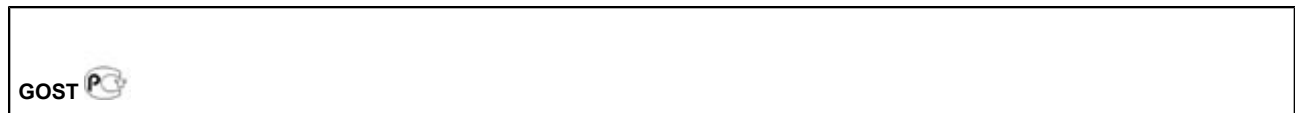
UNSPSC

UNSPSC 6.01	30211923
UNSPSC 7.0901	39121522
UNSPSC 11	39121522
UNSPSC 12.01	39121522
UNSPSC 13.2	39121522

## approvals

GOST /

Approval details



## accessories

### Crimp contact

VS-BU-CD-1,0/14,4/0,2 - 1688997



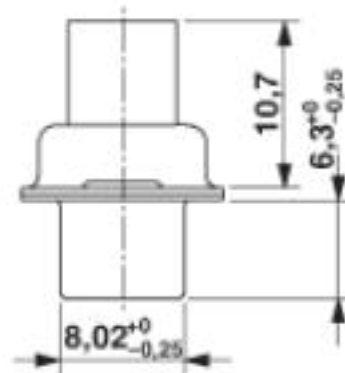
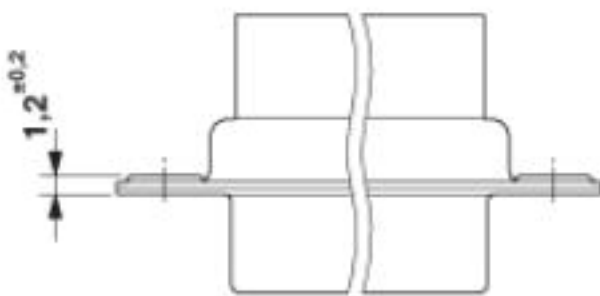
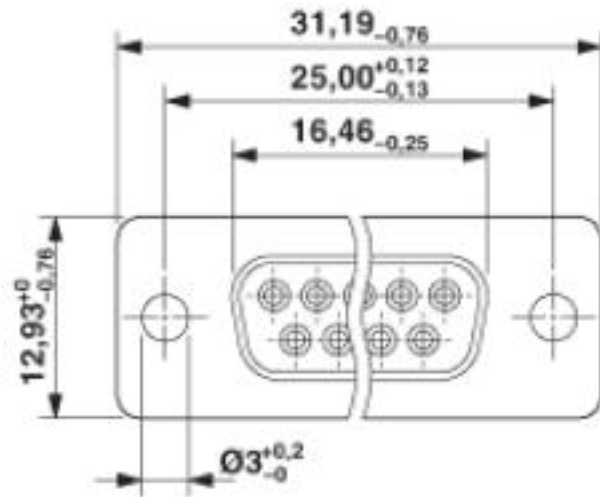
VS-BU-CD-1,0/14,4/0,5 - 1688984



# D-SUB contact support - VS-09-BU-DSUB-CD-B - 1688861

## Drawings

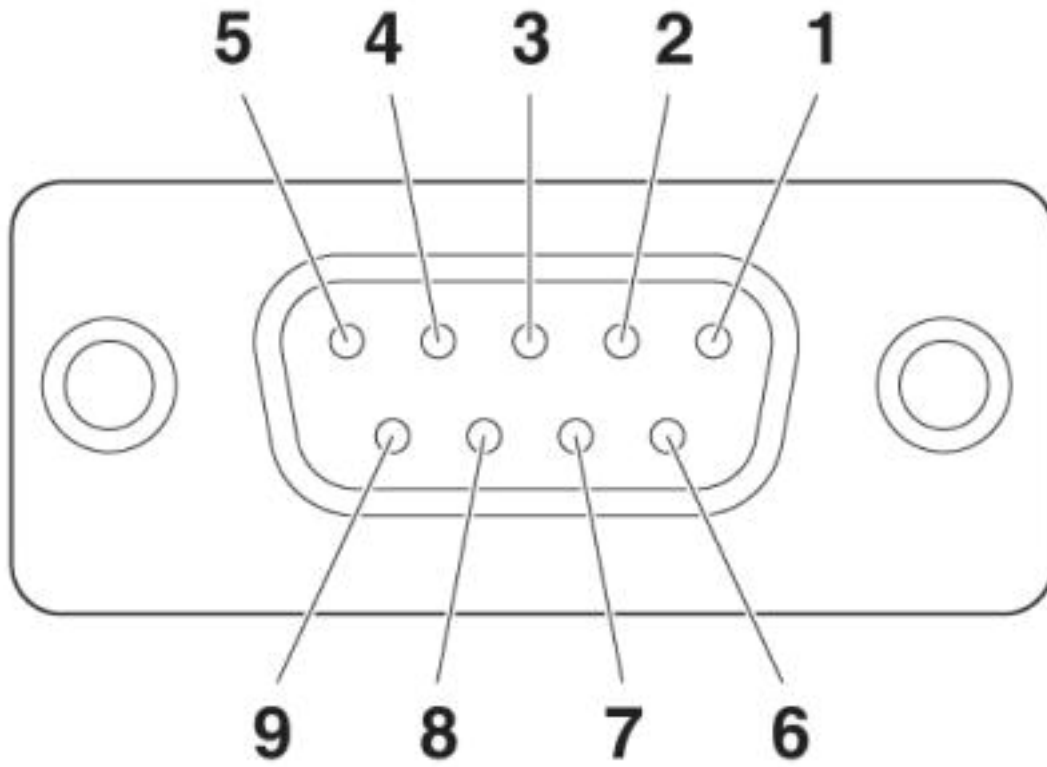
Dimensioned drawing



D-SUB contact carrier

## D-SUB contact support - VS-09-BU-DSUB-CD-B - 1688861

Schematic diagram



© Phoenix Contact 2013 - all rights reserved  
<http://www.phoenixcontact.com>