

Interface module - VIP-2/SC/FLK10 - 2315010

Please be informed that the data shown in this PDF Document is generated from our Online Catalog. Please find the complete data in the user's documentation. Our General Terms of Use for Downloads are valid (<http://download.phoenixcontact.com>)



VARIOFACE module, with screw connection and flat-ribbon cable connector, for mounting on NS 35 rails, with pin strip and short and long locking latches for socket strips, 10-pos.

Product Features

- 10 to 64-pos.
- Metal foot
- According to IEC 60603-13
- 1:1 connection
- Screw connection



Key commercial data

package_quantity	1
GTIN	4046356310062

Technical data

Dimensions

Width	34.7 mm
Height	65.5 mm
Depth	56 mm

Ambient conditions

Ambient temperature (operation)	-20 °C ... 50 °C
Ambient temperature (storage/transport)	-20 °C ... 70 °C

General

Nominal voltage U_N	60 V AC/DC
Max. current carrying capacity per branch	1 A
Number of positions	10
Status display	No
Mounting position	Any
Standards/regulations	IEC 60664
Standards/regulations	DIN EN 50178
Standards/regulations	IEC 62103

Interface module - VIP-2/SC/FLK10 - 2315010

Technical data

General

Pollution degree	2
Surge voltage category	II
Rated surge voltage	0.6 kV

Connection data for connection 1

Connection name	PCB connection
Connection in acc. with standard	IEC / EN
Connection method	Screw connection
Conductor cross section solid min.	0.2 mm ²
Conductor cross section solid max.	4 mm ²
Conductor cross section stranded min.	0.2 mm ²
Conductor cross section stranded max.	2.5 mm ²
Conductor cross section AWG/kcmil min.	24
Conductor cross section AWG/kcmil max	12
Stripping length	8 mm
Screw thread	M 3

Connection data for connection 2

Connection name	Control system level
Number of connections	1
Connection method	IDC/FLK pin strip (2.54 mm)
Number of positions	10

classifications

eCl@ss

eCl@ss 4.0	27250313
eCl@ss 4.1	27250313
eCl@ss 5.0	27250313
eCl@ss 5.1	27250313
eCl@ss 6.0	27242608
eCl@ss 7.0	27242608
eCl@ss 8.0	27242608

ETIM

ETIM 2.0	EC001434
ETIM 3.0	EC001604
ETIM 4.0	EC001604
ETIM 5.0	EC001604

UNSPSC

UNSPSC 6.01	30211824
UNSPSC 7.0901	39121421
UNSPSC 11	39121421

Interface module - VIP-2/SC/FLK10 - 2315010

classifications

UNSPSC

UNSPSC 12.01	39121421
UNSPSC 13.2	39121421

approvals

CSA / UL Recognized / cUL Recognized / UL Recognized / cULus Recognized /

Approval details

CSA	
Nominal voltage UN	125 V
Nominal current IN	1 A
mm ² /AWG/kcmil	30-12


UL Recognized	
Nominal voltage UN	125 V
Nominal current IN	1 A
mm ² /AWG/kcmil	30-12

cUL Recognized	
Nominal voltage UN	125 V
Nominal current IN	1 A
mm ² /AWG/kcmil	30-12

Nominal voltage UN	125 V
Nominal current IN	1 A
mm ² /AWG/kcmil	30-12

Interface module - VIP-2/SC/FLK10 - 2315010

approvals

cULus Recognized  US

accessories

System cable

VIP-CAB-FLK10/0,14/0,5M - 2318305



VIP-CAB-FLK10/0,14/1,0M - 2318318



VIP-CAB-FLK10/0,14/1,5M - 2318321



VIP-CAB-FLK10/0,14/2,0M - 2318334



VIP-CAB-FLK10/0,14/3,0M - 2318347



Interface module - VIP-2/SC/FLK10 - 2315010

accessories

VIP-CAB-FLK10/0,14/4,0M - 2318350



VIP-CAB-FLK10/0,14/6,0M - 2318363



VIP-CAB-FLK10-0,14/... - 2318376



FLK 10/EZ-DR/ 50/KONFEK - 2299204



FLK 10/EZ-DR/ 100/KONFEK - 2299217



Interface module - VIP-2/SC/FLK10 - 2315010

accessories

FLK 10/EZ-DR/ 150/KONFEK - 2299220



FLK 10/EZ-DR/ 200/KONFEK - 2299233



FLK 10/EZ-DR/ 300/KONFEK - 2299246



FLK 10/EZ-DR/ 400/KONFEK - 2299259



FLK 10/EZ-DR/ 600/KONFEK - 2299262



FLK 10/EZ-DR/ 800/KONFEK - 2299275



Interface module - VIP-2/SC/FLK10 - 2315010

accessories

FLK 10/EZ-DR/1000/KONFEK - 2299288



FLK EZ-DR.../.../... - 2295059



Terminal marking

UC-TM 6 - 0818085



ZB 5,08:UNBEDRUCKT - 0809793



ZB 22:UNBEDRUCKT - 0811862



Interface module - VIP-2/SC/FLK10 - 2315010

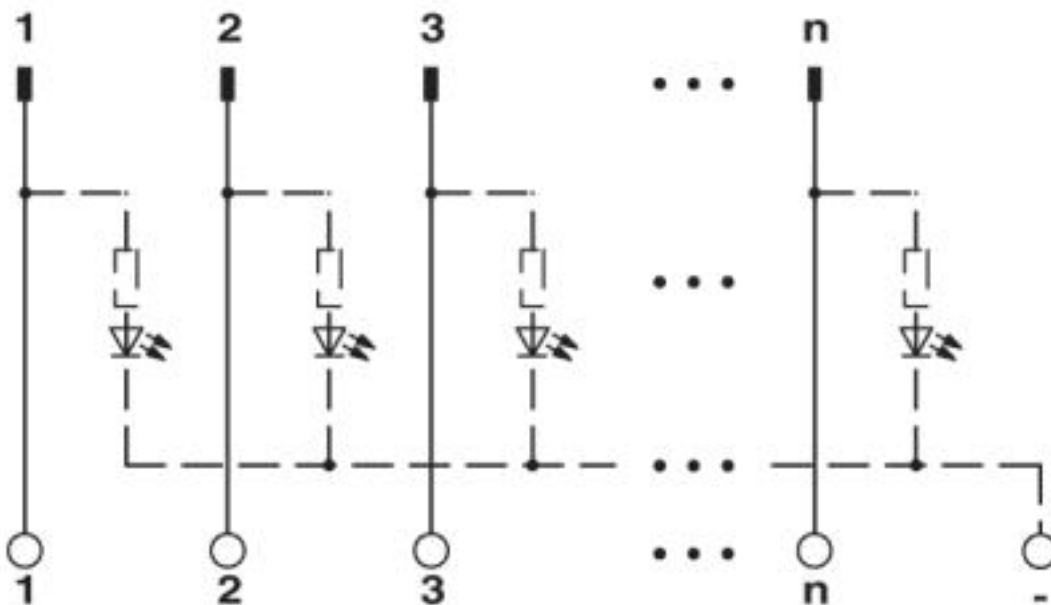
accessories

BLUEMARK X1 - 5147777



Drawings

Circuit diagram



© Phoenix Contact 2013 - all rights reserved
<http://www.phoenixcontact.com>