

D-SUB protective cover - VS-15-SD - 1887099

Please be informed that the data shown in this PDF Document is generated from our Online Catalog. Please find the complete data in the user's documentation. Our General Terms of Use for Downloads are valid (<http://download.phoenixcontact.com>)



D-SUB protective cover, shell size 2, IP54 degree of protection, for panel mounting frame and sleeve housing VS-15-...

Key commercial data

package_quantity	5
GTIN	4017918817473

Technical data

Mechanical characteristics

Locking type	Without
Insertion/withdrawal cycles	≥ 1000
Color	gray

Ambient conditions

Ambient temperature (operation)	-40 °C ... 80 °C
Degree of protection	IP54

Material data

Inflammability class according to UL 94	V0
Housing material	PA
Material	Plastic

classifications

eCl@ss

eCl@ss 4.0	27141210
eCl@ss 4.1	27141210
eCl@ss 5.0	27149110
eCl@ss 5.1	27149110
eCl@ss 6.0	27149110
eCl@ss 7.0	27440208
eCl@ss 8.0	27440208

ETIM

ETIM 2.0	EC000241
ETIM 3.0	EC002040

D-SUB protective cover - VS-15-SD - 1887099

classifications

ETIM

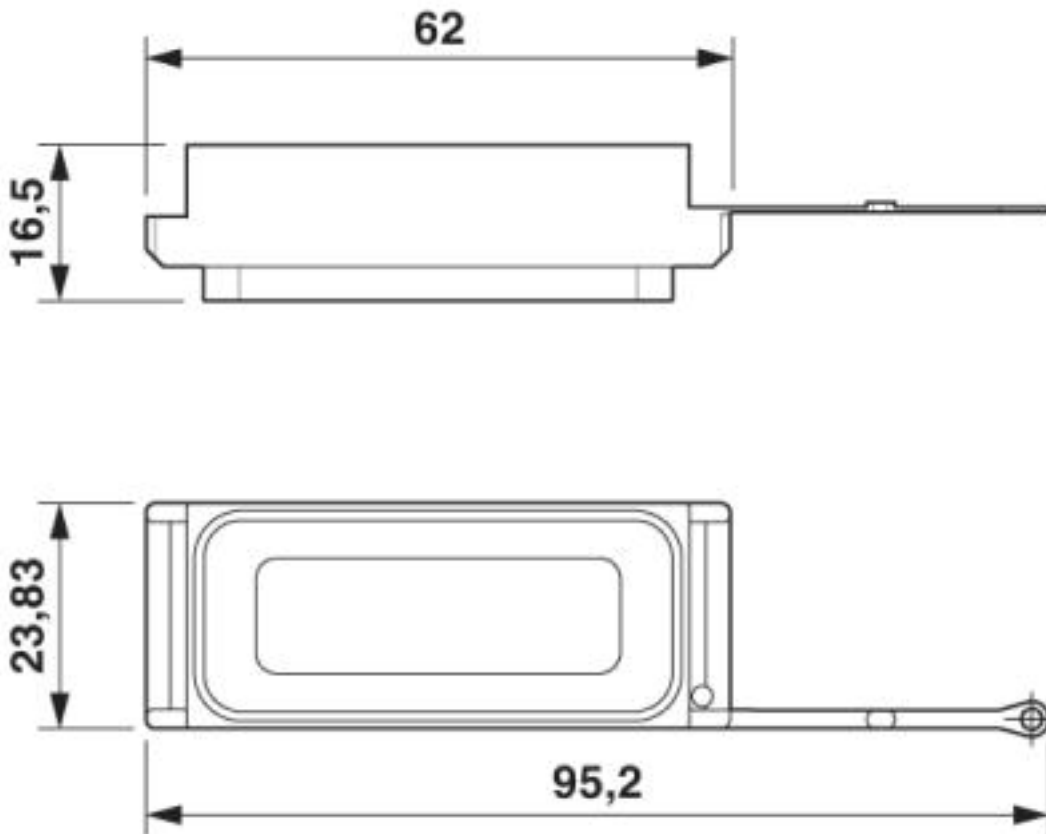
ETIM 4.0	EC002040
ETIM 5.0	EC002040

UNSPSC

UNSPSC 6.01	31261501
UNSPSC 7.0901	31261501
UNSPSC 11	31261501
UNSPSC 12.01	31261501
UNSPSC 13.2	31261501

Drawings

Dimensioned drawing



Protective cover for D-SUB

© Phoenix Contact 2013 - all rights reserved
<http://www.phoenixcontact.com>