

Front adapters - FLKM 14-PA-AB/1756/EXTC - 2302861

Please be informed that the data shown in this PDF Document is generated from our Online Catalog. Please find the complete data in the user's documentation. Our General Terms of Use for Downloads are valid (<http://download.phoenixcontact.com>)



VARIOFACE front adapters, for Allen Bradley ControlLogix and Honeywell PlantScape, max. 2 x 8 channels can be connected. The front adapters are pushed into the high 1756-TBE hoods (not supplied as standard).

Key commercial data

package_quantity	1
GTIN	4017918917524

Technical data

General

Nominal voltage U_N	< 50 V AC
Nominal voltage U_N	60 V DC
Max. permissible current	1 A (per path)
Max. permissible current	8 A (per connection, supply via separate power supply)
Channels which can be connected	16
Connection type, connector	IDC/FLK pin strip (2.54 mm)
Number of connectors	2
No. of positions, connector	14
Number of positions	14
Mounting position	Any
Standards/regulations	IEC 60664
Standards/regulations	DIN EN 50178
Standards/regulations	IEC 62103
Pollution degree	2
Surge voltage category	II

Ambient conditions

Ambient temperature (operation)	-20 °C ... 50 °C
Ambient temperature (storage/transport)	-20 °C ... 70 °C

Connection data, power supply

Connection method	Pluggable screw connection
Conductor cross section stranded min.	0.14 mm ²
Conductor cross section stranded max.	1.5 mm ²
Conductor cross section solid min.	0.14 mm ²
Conductor cross section solid max.	1.5 mm ²

Front adapters - FLKM 14-PA-AB/1756/EXTC - 2302861

Technical data

Connection data, power supply

Conductor cross section AWG/kcmil min.	28
Conductor cross section AWG/kcmil max	16

Supported controller

Control	ALLEN-BRADLEY ControlLogix
- suitable I/O card	1756-IA8D
- suitable I/O card	1756-OB16E
- suitable I/O card	1756-IF6I
- suitable I/O card	1756-IR6I
- suitable I/O card	1756-IT6I
- suitable I/O card	1756-OF4
- suitable I/O card	1756-OF6CI
- suitable I/O card	1756-OF6VI
- suitable I/O card	1756-OF8
- suitable I/O card	1756-PLS
- suitable I/O card	1756-IF6CIS
- suitable I/O card	1756-OF8H
Control	HONEYWELL PlantScape
- suitable I/O card	TC-IDX 081
- suitable I/O card	TC-IXR 061
- suitable I/O card	TC-IAH 061
- suitable I/O card	TC-OAH 061
- suitable I/O card	TC-OAV 061
- suitable I/O card	TC-OAV 081
- suitable I/O card	TC-IXL 061

classifications

eCl@ss

eCl@ss 4.0	27250313
eCl@ss 4.1	27250313
eCl@ss 5.0	27250313
eCl@ss 5.1	27250313
eCl@ss 6.0	27242208
eCl@ss 7.0	27242208
eCl@ss 8.0	27242208

ETIM

ETIM 2.0	EC001423
ETIM 3.0	EC001423
ETIM 4.0	EC001423
ETIM 5.0	EC002584

Front adapters - FLKM 14-PA-AB/1756/EXTC - 2302861

classifications

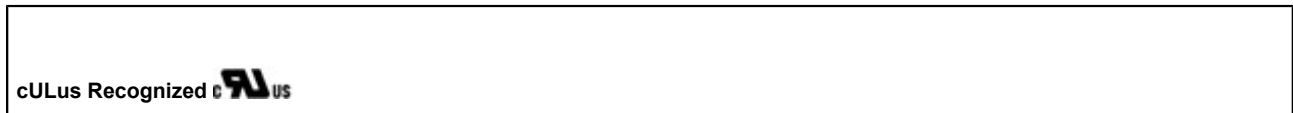
UNSPSC

UNSPSC 6.01	30211824
UNSPSC 7.0901	39121421
UNSPSC 11	39121421
UNSPSC 12.01	39121421
UNSPSC 13.2	39121421

approvals

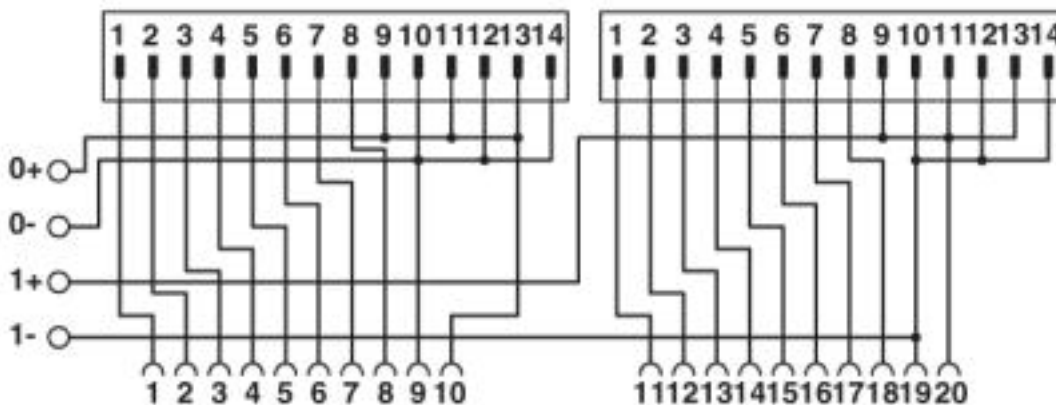
UL Recognized / cUL Recognized / cULus Recognized /

Approval details



Drawings

Circuit diagram



Connection scheme: FLKM 14-PA-AB/1756/EXTC