

D-SUB pressure nut - VS-M16 (5-9) - 1688447

Please be informed that the data shown in this PDF Document is generated from our Online Catalog. Please find the complete data in the user's documentation. Our General Terms of Use for Downloads are valid (<http://download.phoenixcontact.com>)



D-SUB cap nut with line seal, for sleeve housing VS-09-..., conductor diameter of 5 mm ... 9 mm

Key commercial data

package_quantity	5
GTIN	4017918818364

Technical data

Mechanical characteristics

External cable diameter	5 mm ... 9 mm
Color	gray

Ambient conditions

Ambient temperature (operation)	-40 °C ... 80 °C
Ambient temperature (assembly)	-20 °C ... 80 °C
Degree of protection	IP67

Material data

Inflammability class according to UL 94	V0
Housing material	PA
Sealing material	Neoprene
Seal material	Neoprene

classifications

eCl@ss

eCl@ss 4.0	27141209
eCl@ss 4.1	27141209
eCl@ss 5.0	27149109
eCl@ss 5.1	27149109
eCl@ss 6.0	27149109
eCl@ss 7.0	27149109
eCl@ss 8.0	27149109

ETIM

ETIM 2.0	EC000441
-----------------	----------

D-SUB pressure nut - VS-M16 (5-9) - 1688447

classifications

ETIM

ETIM 3.0	EC000441
ETIM 4.0	EC000441
ETIM 5.0	EC002355

UNSPSC

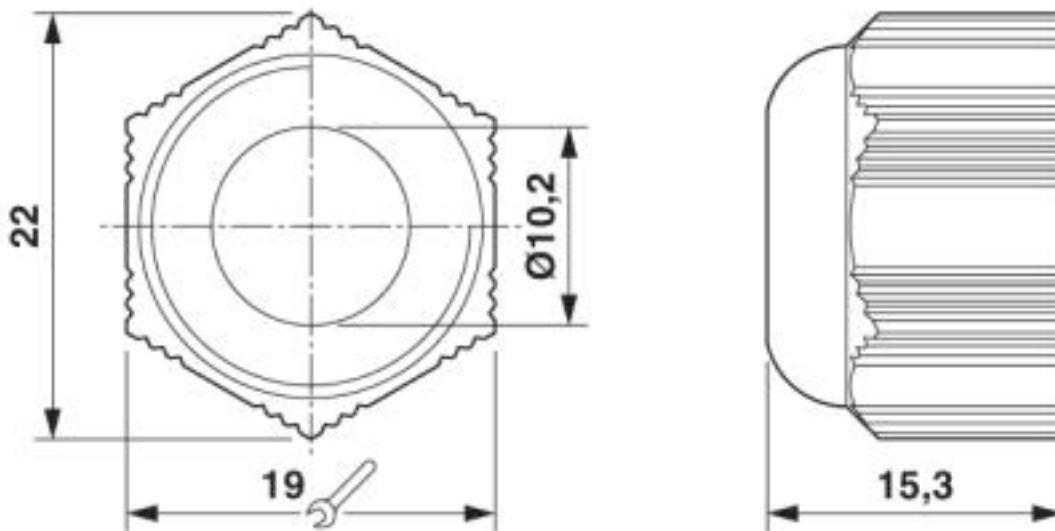
UNSPSC 6.01	30211923
UNSPSC 7.0901	39121522
UNSPSC 11	39121522
UNSPSC 12.01	39121522
UNSPSC 13.2	39121522

Drawings

Dimensioned drawing

D-SUB cap nut

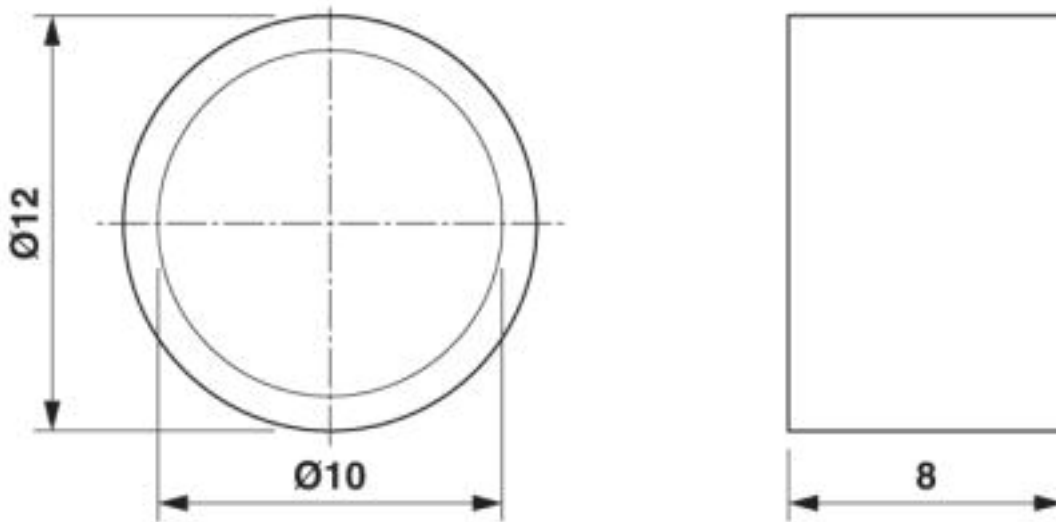
Dimensioned drawing



Grommet

D-SUB pressure nut - VS-M16 (5-9) - 1688447

Dimensioned drawing



Screw pressure nut

© Phoenix Contact 2013 - all rights reserved
<http://www.phoenixcontact.com>