

## Distributor - VS-ASI-J-Y-N-M12FS-LC - 1433155

Please be informed that the data shown in this PDF Document is generated from our Online Catalog. Please find the complete data in the user's documentation. Our General Terms of Use for Downloads are valid (<http://download.phoenixcontact.com>)



AS-Interface distributor with IP67 protection for one flat-ribbon conductor, with a straight, A-coded, 2-pos. M12 socket



### Key commercial data

package_quantity	1
GTIN	4046356346245

### Technical data

#### Mechanical characteristics

Number of positions	2
Insertion/withdrawal cycles	≥ 100 (M12 connector)
Connection method	AS-i penetration technique
Color	black

#### Ambient conditions

Ambient temperature (operation)	-25 °C ... 70 °C (Plug / socket)
Ambient temperature (storage/transport)	-25 °C ... 70 °C
Degree of protection	IP67

#### Material data

Housing material	PA
Contact carrier material	PUR
Contact material	CuZn
Contact surface material	Sn/Au
Cable gland material	Zinc die-cast, nickel-plated
Sealing material	Neoprene (Flat gasket)
Sealing material	FPM (O-ring)

#### Electrical characteristics

Rated voltage (III/3)	32 V
Rated current	≤ 4 A

# Distributor - VS-ASI-J-Y-N-M12FS-LC - 1433155

## classifications

### eCl@ss

eCl@ss 4.0	27140815
eCl@ss 4.1	27140815
eCl@ss 5.0	27143423
eCl@ss 5.1	27143423
eCl@ss 6.0	27143423
eCl@ss 7.0	27449001
eCl@ss 8.0	27449001

### ETIM

ETIM 2.0	EC000200
ETIM 3.0	EC001856
ETIM 4.0	EC000313
ETIM 5.0	EC000313

### UNSPSC

UNSPSC 6.01	31261501
UNSPSC 7.0901	31261501
UNSPSC 11	31261501
UNSPSC 12.01	31261501
UNSPSC 13.2	31261501

## approvals

GOST /

### Approval details



## accessories

### Sensor/actuator cable

SAC-4P-MS/ 0,3-186/FS SCO - 1555680



## Distributor - VS-ASI-J-Y-N-M12FS-LC - 1433155

### accessories

SAC-4P-MS/ 0,5-186/FS SCO - 1555693



SAC-4P-MS/ 1,0-186/FS SCO - 1555703



SAC-4P-MS/ 2,0-186/FS SCO - 1555716



SAC-4P-MS/ 5,0-186/FS SCO - 1555729



SAC-4P-MS/10,0-186/FS SCO - 1555732



SAC-4P-MS/15,0-186/FS SCO - 1555745



## Distributor - VS-ASI-J-Y-N-M12FS-LC - 1433155

accessories

---

### Protective cap

PROT-M12 - 1680539



PROT-MS SCO - 1553129



### Screwdriver tools

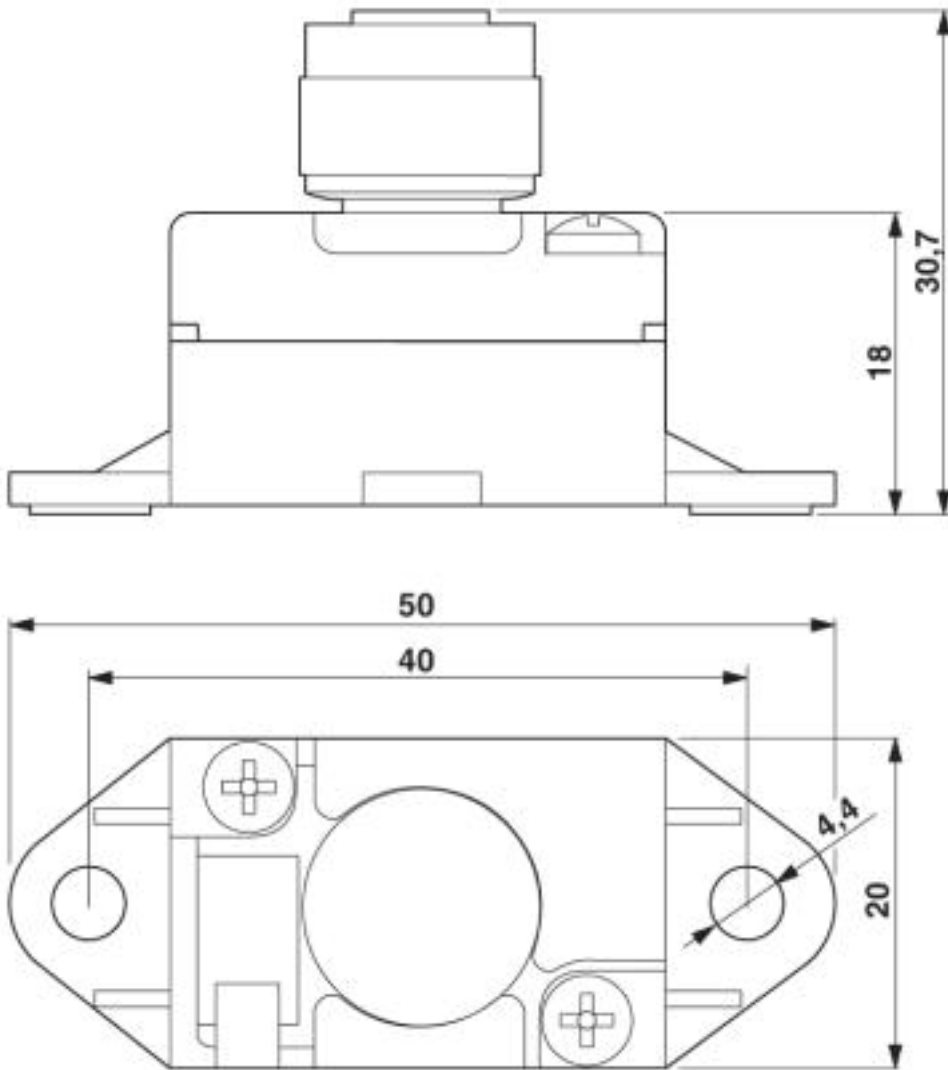
SZK PH1 VDE - 1205150



Drawings

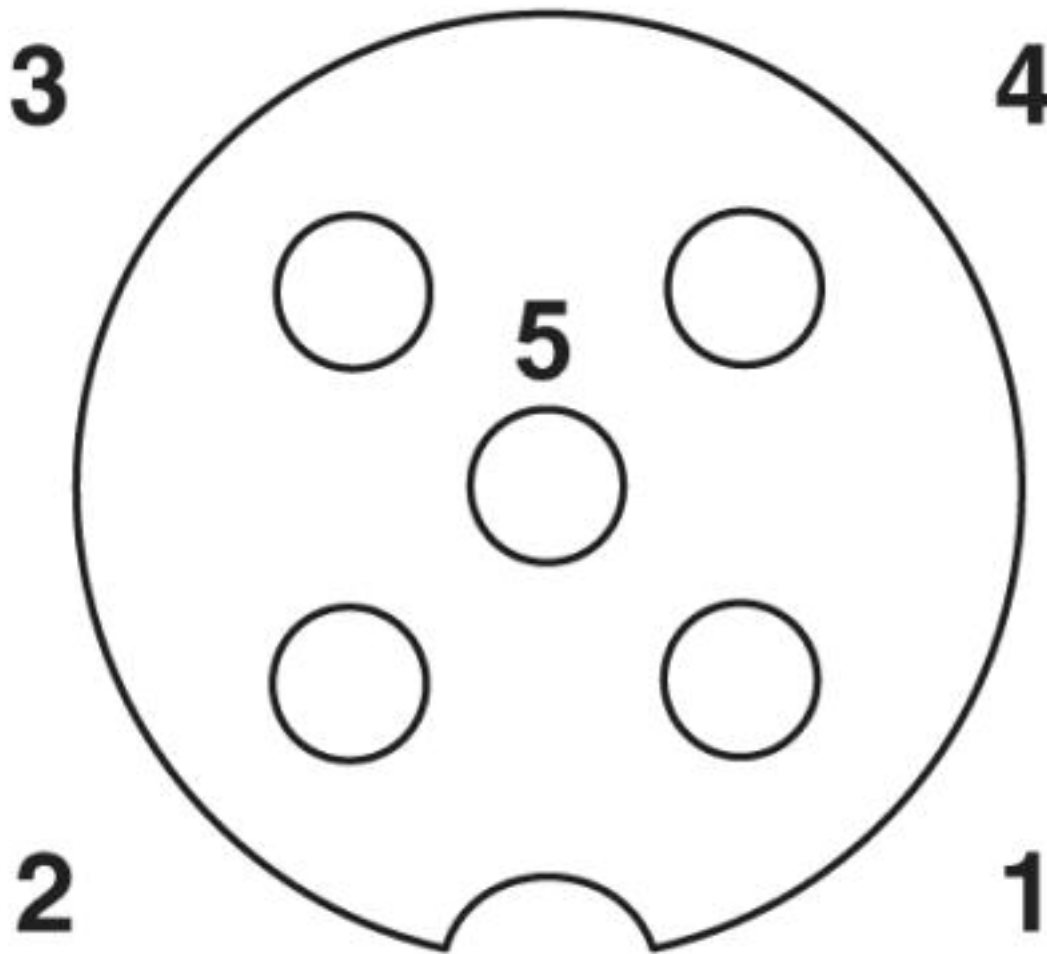
# Distributor - VS-ASI-J-Y-N-M12FS-LC - 1433155

Dimensioned drawing



## Distributor - VS-ASI-J-Y-N-M12FS-LC - 1433155

Schematic diagram



Pin assignment M12, PIN 1: AS-i +, PIN 3: AS-i -, PIN 2,4,5: Not used

© Phoenix Contact 2013 - all rights reserved  
<http://www.phoenixcontact.com>