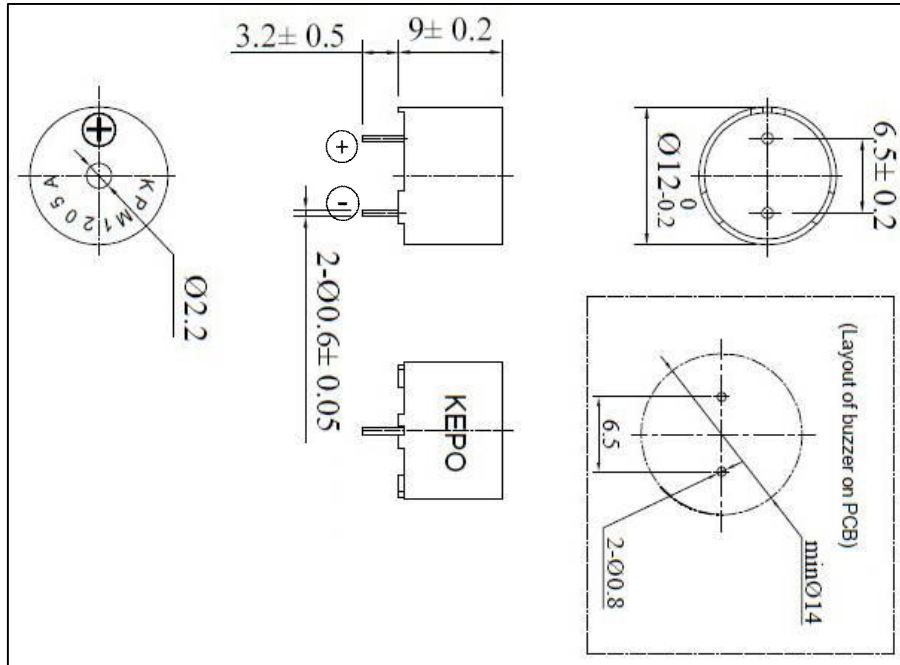


Technical datasheet: KPM-G1205A-K6327

Specifications:

Operating Temperature Range	-20°C to +70°C
Storage Temperature Range	-30°C to +80°C
Rated Voltage	5 VDC
Input Voltage	4 VDC to 8 VDC
Sound Pressure Level	85dB/ 5VDC/ 2400Hz/ 10cm
Max. Rated Current	50mA / 5VDC
Resonant Frequency	2400 Hz
Coil Resistance	40 ± 4 Ω
Coil Impedance	80 Ω
Housing Material/Color	PBT/ Black

Dimensions:



Measurement block diagram and response curve:

