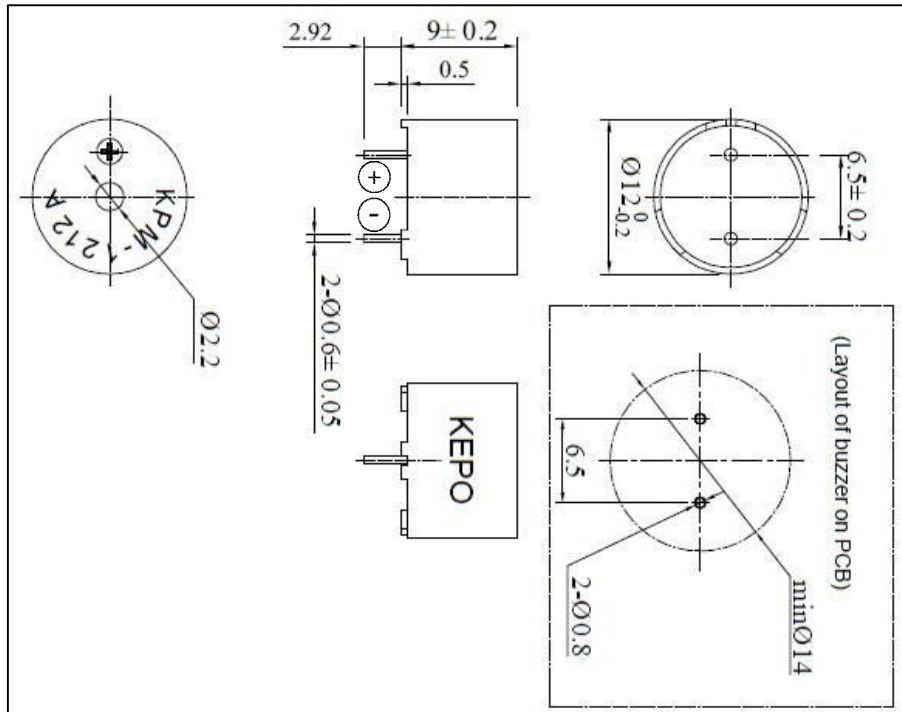


Technical datasheet: KPM-1212A-K6389

Specifications:

Operating Temperature Range	-20°C to +70°C
Storage Temperature Range	-30°C to +80°C
Rated Voltage	12 VDC
Input Voltage	8 VDC to 16 VDC
Sound Pressure Level	90~95dB/ 12VDC/ 2400Hz/ 10cm
Max. Rated Current	40mA / 12VDC
Resonant Frequency	2400 Hz
Coil Resistance	140 ± 10% Ω
Coil Impedance	240 Ω
Housing Material/Color	PBT/ Black
Measured weight	1.6g
Measured dimension	Ø11.9 x 8.4 mm
Measured current consumption	0.24 mA (at 5Vpp, 2400Hz, direct connect to the pin)
measured coil resistance	133 Ω

Dimensions:



Measurement block diagram and response curve:

