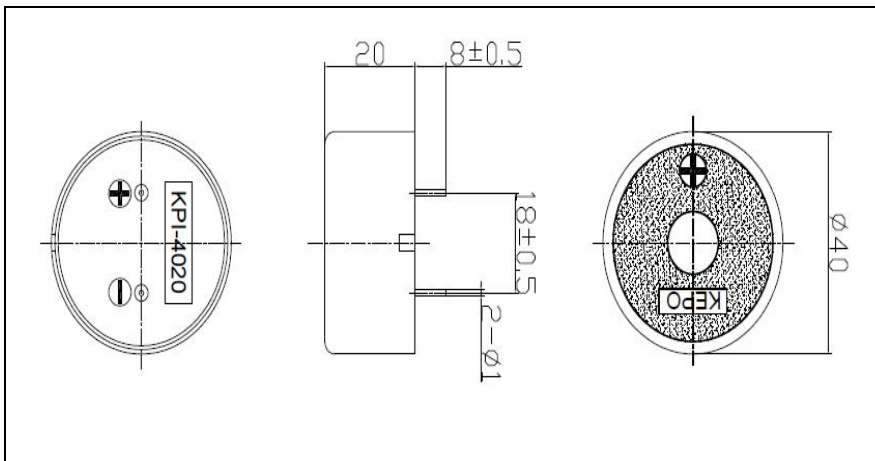


Technical datasheet: KPI-G4020-K7530

Specifications:

Operating Temperature	-20°C to +60°C
Storage Temperature	-30°C to +70°C
Rated Voltage	12VDC
Allowable Voltage	3-24VDC
Sound Pressure Level	100dB at 12VDC/100cm
Resonant Frequency	3.2±0.KHz
Max Rated Current	80mA at 12VDC
Weight	12.5g
Case Material/Color	ABS/White
Tone Nature	Continues

Dimensions:



Frequency Response:

