

# Contact insert - HC-B 6-I-CT-M - 1648157

Please be informed that the data shown in this PDF Document is generated from our Online Catalog. Please find the complete data in the user's documentation. Our General Terms of Use for Downloads are valid (<http://download.phoenixcontact.com>)



HEAVYCON male insert, B6 series, 6-pos., for crimp contacts. PE connection using tension sleeve technology.

## Product Features

- For fast coding with plastic profile
- PE connection using tension sleeve technology

## Key commercial data

<b>package_quantity</b>	10
<b>GTIN</b>	4046356092272

## Technical data

### General

<b>Note</b>	For HEAVYCON ADVANCE and HEAVYCON housing of B6 type, crimp contacts CK 2,5-ED (crimp contacts not included in the scope of supply).
<b>Connection method</b>	Crimp connection
<b>Pollution degree</b>	3
<b>Surge voltage category</b>	III
<b>Constructional and testing regulations</b>	DIN EN 61984
<b>Constructional and testing regulations</b>	DIN EN 60664
<b>Constructional and testing regulations</b>	IEC 60352
<b>Number of positions</b>	6+PE
<b>Insertion/withdrawal cycles</b>	≥ 500
<b>Design</b>	B6
<b>Connection in acc. with standard</b>	IEC / EN
<b>Conductor cross section</b>	0.5 mm <sup>2</sup> ... 4 mm <sup>2</sup>
<b>Connection cross section AWG</b>	20 ... 12
<b>Stripping length of the individual wire</b>	7.5 mm
<b>Assembly instructions</b>	Coding also using the CP-HC (1686478) coding profiles. HC-B6../HC-B10..for two coding profiles. HC-B16../HC-B24..for four coding profiles.
<b>Connection</b>	For housing design B6. Connectors may only be inserted when there is no load/the power is switched off. Use a screwdriver to remove the crimp contacts. The opening for the screwdriver is next to the opening where the conductor is inserted.

# Contact insert - HC-B 6-I-CT-M - 1648157

## Technical data

### Ambient conditions

<b>Ambient temperature (operation)</b>	-40 °C ... 125 °C (including heating up of contacts)
<b>Degree of protection</b>	IP20

### Material data

<b>Inflammability class according to UL 94</b>	V0
<b>Contact material</b>	Copper alloy
<b>Contact surface material</b>	Ag (alternatively Au)
<b>Contact carrier material</b>	PA

### Electrical characteristics

<b>Rated voltage (III/3)</b>	500 V
<b>Rated surge voltage</b>	6 kV
<b>Rated current</b>	16 A

## classifications

### eCl@ss

<b>eCl@ss 4.0</b>	272607xx
<b>eCl@ss 4.1</b>	27260701
<b>eCl@ss 5.0</b>	27143424
<b>eCl@ss 5.1</b>	27143424
<b>eCl@ss 6.0</b>	27261204
<b>eCl@ss 7.0</b>	27440205
<b>eCl@ss 8.0</b>	27440205

### ETIM

<b>ETIM 2.0</b>	EC000438
<b>ETIM 3.0</b>	EC000438
<b>ETIM 4.0</b>	EC000438
<b>ETIM 5.0</b>	EC000438

### UNSPSC

<b>UNSPSC 6.01</b>	30211923
<b>UNSPSC 7.0901</b>	39121522
<b>UNSPSC 11</b>	39121522
<b>UNSPSC 12.01</b>	39121522
<b>UNSPSC 13.2</b>	39121522

## approvals

---

CSA / UL Recognized / cUL Recognized / cULus Recognized /

---

### Approval details

# Contact insert - HC-B 6-I-CT-M - 1648157

## approvals

<b>CSA</b>	
Nominal voltage UN	600 V
Nominal current IN	20 A
mm <sup>2</sup> /AWG/kcmil	20-12

<b>UL Recognized</b>	
Nominal voltage UN	600 V
Nominal current IN	13 A
mm <sup>2</sup> /AWG/kcmil	22-14

<b>cUL Recognized</b>	
Nominal voltage UN	600 V
Nominal current IN	13 A
mm <sup>2</sup> /AWG/kcmil	22-14

<b>cULus Recognized</b>	
-------------------------	--

## accessories

### Mounting material

HC-B-PES - 1604997



## Contact insert - HC-B 6-I-CT-M - 1648157

accessories

HC-B-3PE - 1644326



HC-B-ZG - 1685327



HC-B-ZS - 1685330



### Coding element

CP-HC - 1686478



HC-CBU - 1676860



## Contact insert - HC-B 6-I-CT-M - 1648157

accessories

HC-CB - 1772722



HC-CST - 1676857



### Plug assembly frame

HC-SMR-2B 6 - 1687998



HC-SMR-B 6 - 1687956



### Plug mounting plate

HC-SMP 125-B 6-AML - 1660957



### Adapter plate

## Contact insert - HC-B 6-I-CT-M - 1648157

### accessories

HC-B 24-ADP-B 6-GY - 1660407



---

### Docking frame

HC-B 6-ANDOCK - 1586112



---

### Assembly tool

CK2,5-EWZ - 1662722



---

### Crimping tool

CRIMPFOX-1,6/2,5-ED-4,0 - 1687419



---

### Crimp contact

CK2,5-ED-0,50ST AG - 1663572



## Contact insert - HC-B 6-I-CT-M - 1648157

accessories

---

CK2,5-ED-0,75ST AG - 1663585



CK2,5-ED-1,00ST AG - 1663598



CK2,5-ED-1,50ST AG - 1663608



CK2,5-ED-2,50ST AG - 1663611



CK2,5-ED-3,00ST AG - 1663624



## Contact insert - HC-B 6-I-CT-M - 1648157

### accessories

CK2,5-ED-4,00ST AG - 1663637



CK2,5-ED-0,50ST AU - 1674804



CK2,5-ED-1,00ST AU - 1674781



CK2,5-ED-1,50ST AU - 1674778



CK2,5-ED-2,50ST AU - 1674817



CK2,5-ED-4,00ST AU - 1674794





# Contact insert - HC-B 6-I-CT-M - 1648157

accessories

---

accessories

CK2,5-ED-0,37ST AG - 1585650



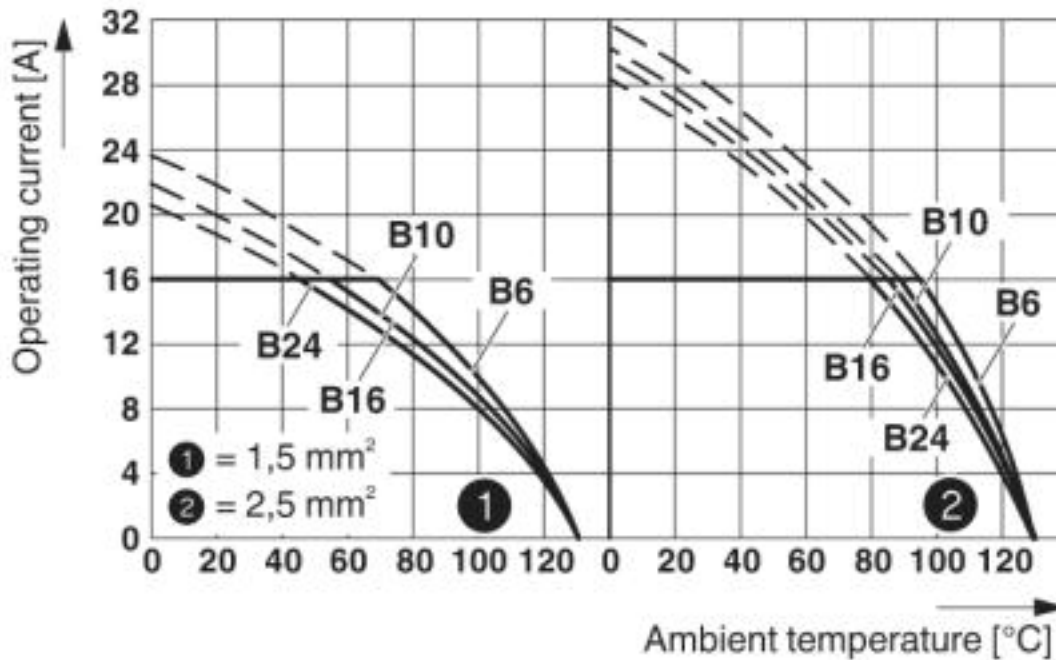
CK2,5-ED-0,37ST AU - 1585663



---

## Drawings

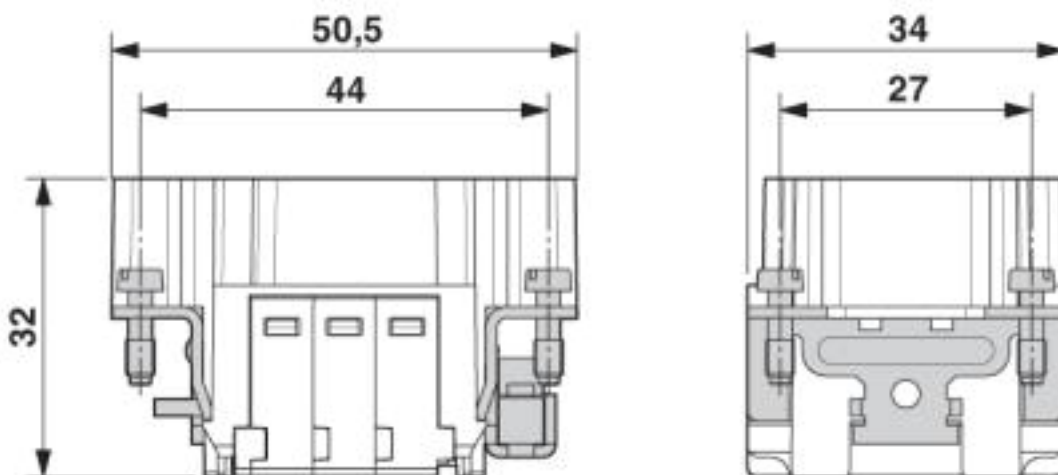
Diagram



Derating diagram

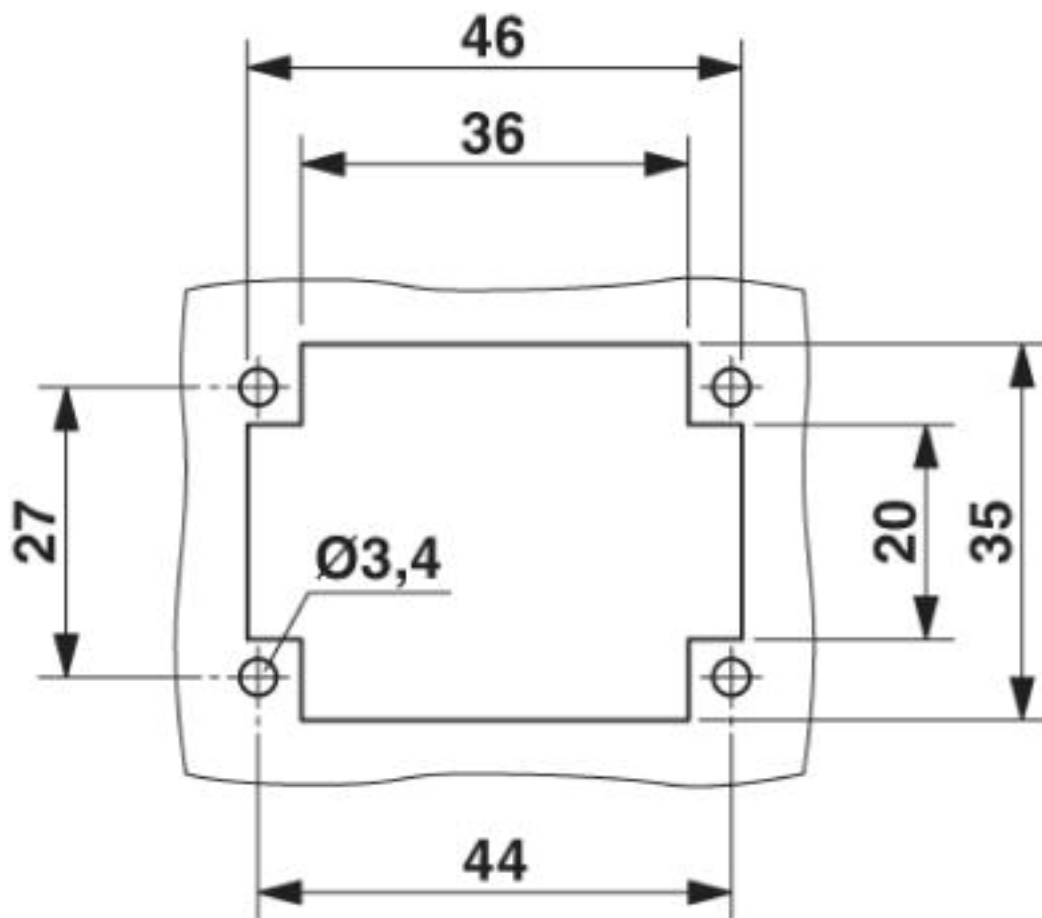
# Contact insert - HC-B 6-I-CT-M - 1648157

Dimensioned drawing



Male insert

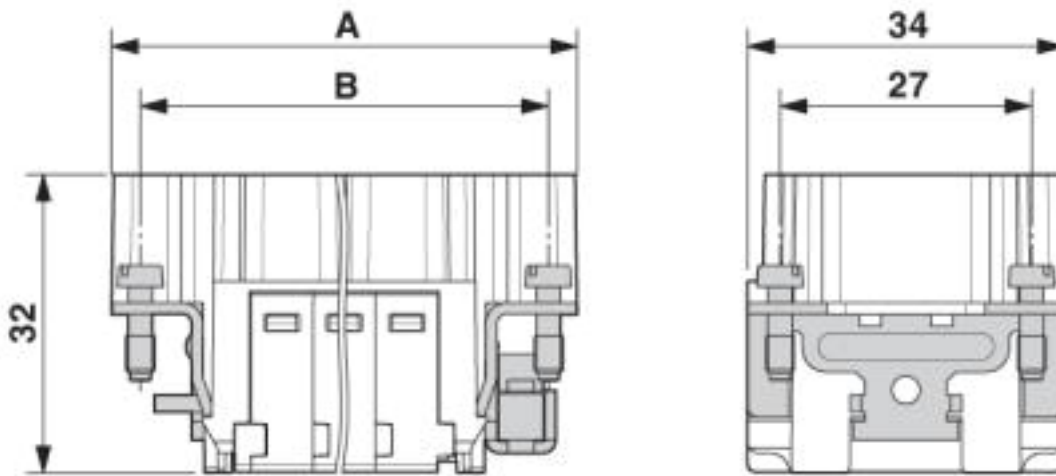
Dimensioned drawing



Panel cutout

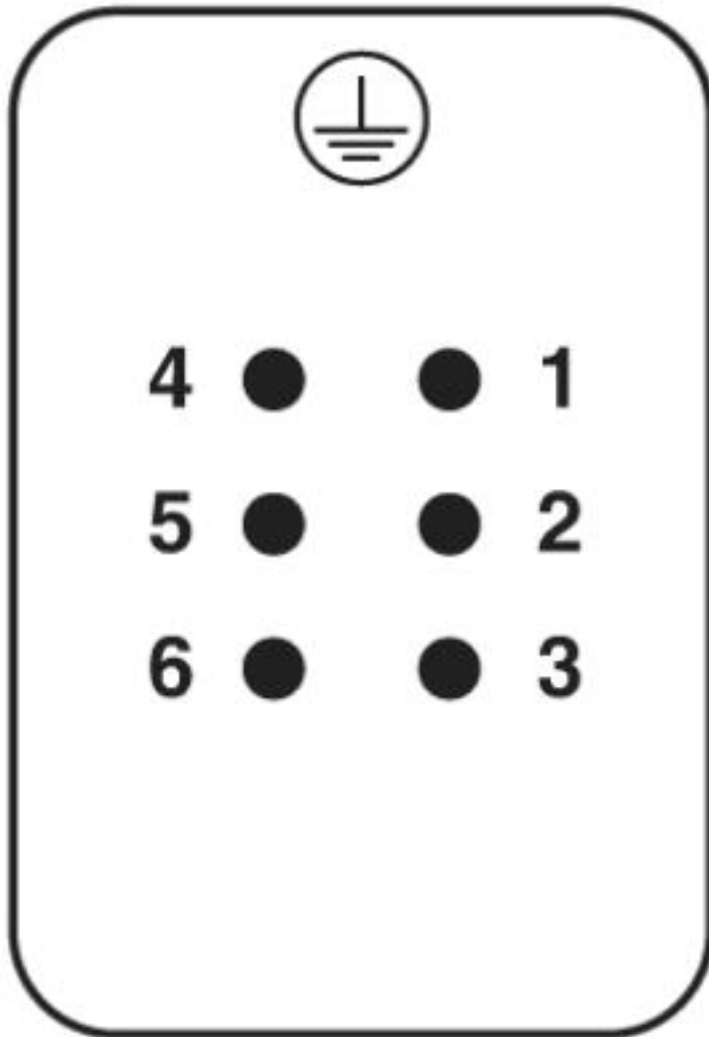
# Contact insert - HC-B 6-I-CT-M - 1648157

Dimensioned drawing



## Contact insert - HC-B 6-I-CT-M - 1648157

Schematic diagram



Connector pin assignment, connection side

© Phoenix Contact 2013 - all rights reserved  
<http://www.phoenixcontact.com>