

Housing - VC-MEMV-T3-Z - 1853340

Please be informed that the data shown in this PDF Document is generated from our Online Catalog. Please find the complete data in the user's documentation. Our General Terms of Use for Downloads are valid (<http://download.phoenixcontact.com>)



Metal sleeve housing, EMC-coating, locking screws with cylindrical head, with conductive seal, type 3, cable screw connection Pg21

Key commercial data

package_quantity	5
GTIN	4017918127107

Technical data

Dimensions

Height	75 mm
Width	33 mm
Length	89 mm

Ambient conditions

Ambient temperature (operation)	-40 °C ... 125 °C
--	-------------------

General

Note	When using fiber optics, the bending radii of the cable manufacturers must be observed.
Design	VC3
Color	nickel
Locking type	Screw locking, cylinder head
Tightening torque, mounting screw	1 Nm +/- 0.5 Nm
No. of cable exits	1
Cable exit	Angled
Screw connection	None
Type of the screw connection	Pg21
Housing material	Zinc die-cast, surface bronzed and nickel-plated
Housing surface material	Nickel-plated
Seal material	EPDM, conductive
Material of locking screw	V2A

classifications

eCl@ss

Housing - VC-MEMV-T3-Z - 1853340

classifications

eCl@ss

eCl@ss 4.0	27140816
eCl@ss 4.1	27140816
eCl@ss 5.0	27371205
eCl@ss 5.1	27371205
eCl@ss 6.0	27371205
eCl@ss 7.0	27371205
eCl@ss 8.0	27371205

ETIM

ETIM 2.0	EC000437
ETIM 3.0	EC000437
ETIM 4.0	EC000437
ETIM 5.0	EC000437

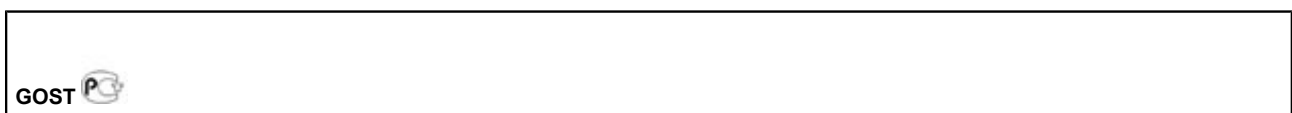
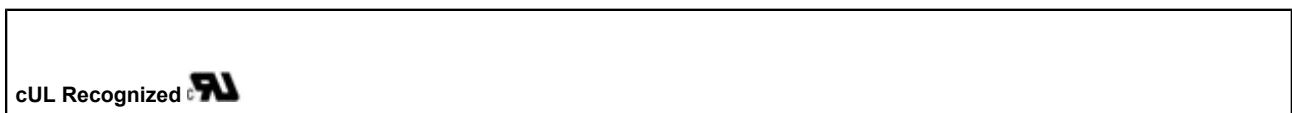
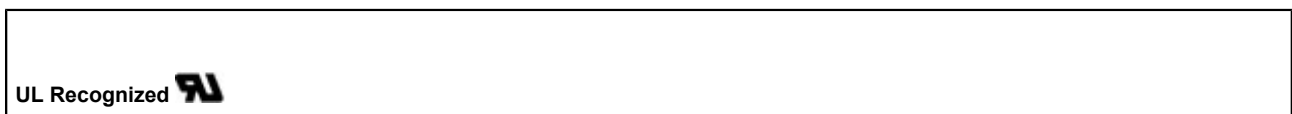
UNSPSC

UNSPSC 6.01	31261502
UNSPSC 7.0901	31261502
UNSPSC 11	31261502
UNSPSC 12.01	31261502
UNSPSC 13.2	31261502

approvals

UL Recognized / cUL Recognized / GOST / cULus Recognized /

Approval details



Housing - VC-MEMV-T3-Z - 1853340

accessories

Half screw connection

VC-M-KV-PG21(7-10,5) - 1853997



VC-M-KV-PG21(9-13) - 1854006



VC-M-KV-PG21(11,5-15,5) - 1854035



VC-M-KV-PG21(14-18) - 1854048



VC-M-KV-PG21(17-20,5) - 1854051



Housing - VC-MEMV-T3-Z - 1853340

accessories

VC-M-KV-PG21(20X 7) - 1885305



Multiple screw connection

VC-M-KV-PG21 1X6/2X9 - 1885619



VC-M-KV-PG21- 1X8,5/1X12 - 1854970



VC-M-KV-PG21 2X6/2X8 - 1885635



VC-M-KV-PG21 2X7,2/1X10,5 - 1885648



Housing - VC-MEMV-T3-Z - 1853340

accessories

VC-M-KV-PG21 3X7 - 1885651



VC-M-KV-PG21 3X9 - 1885664



VC-M-KV-PG21 4X6,5 - 1885677



VC-M-KV-PG21 4X8 - 1885680



accessories

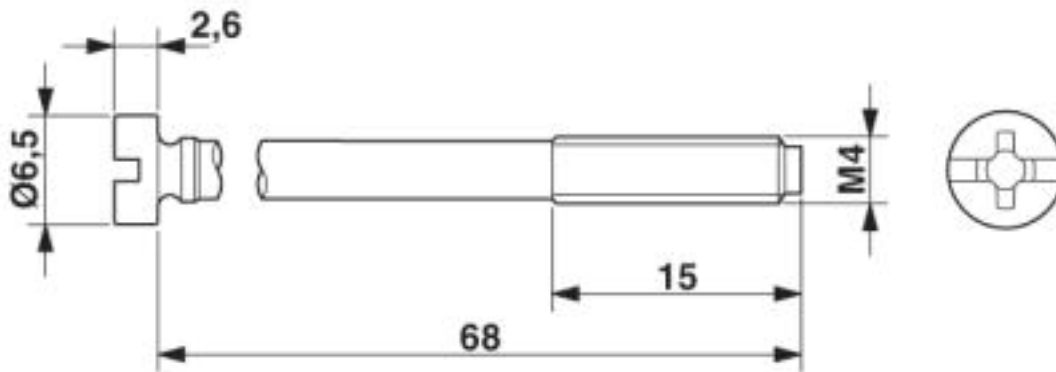
VC-BZS WH - 1852875



Drawings

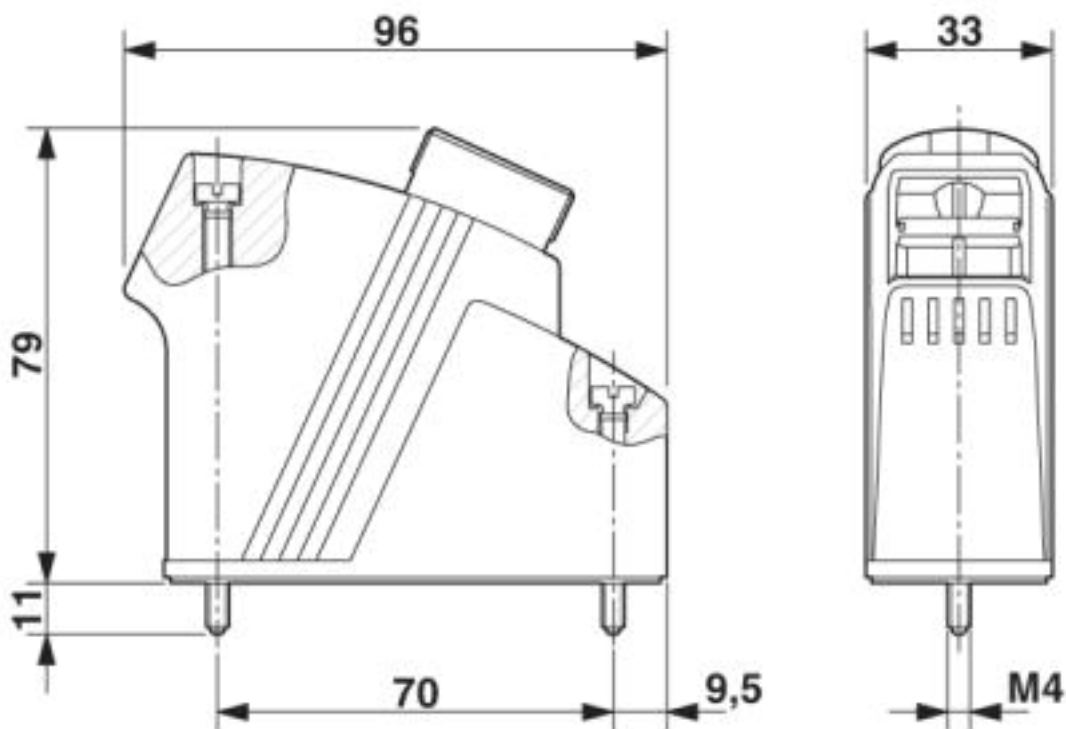
Housing - VC-MEMV-T3-Z - 1853340

Dimensioned drawing



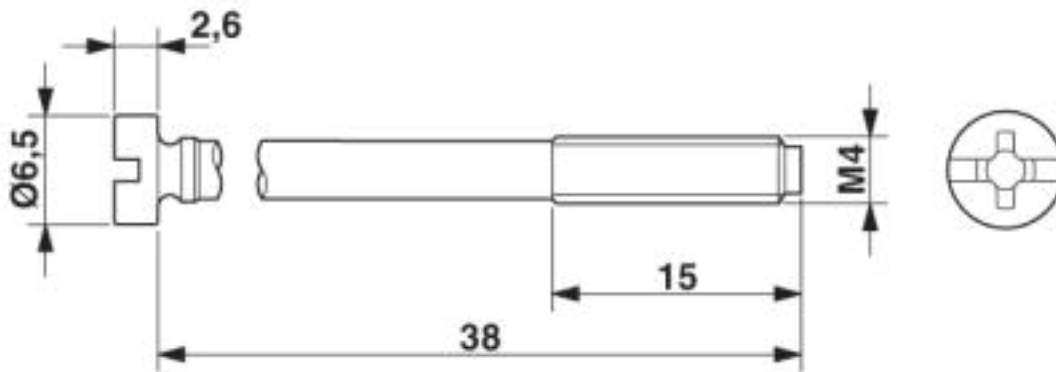
Dimensioned drawing

Dimensioned drawing



Housing - VC-MEMV-T3-Z - 1853340

Dimensioned drawing



© Phoenix Contact 2013 - all rights reserved
<http://www.phoenixcontact.com>