

**SPECIFICATION FOR 04A-8XC2**

**Model No. : 04A-8XC2**

**Issue Date: 2012-05-04**

---

**1. The specification of the cable:  $\Phi$  0.19mm\*21 /2**

**2. Max current allowable : 2.5A**

**3. Environmental Requirements**

- |                            |                           |
|----------------------------|---------------------------|
| 3.1 Operating Temperature: | 0°C To 40°C               |
| 3.2 Storage Temperature:   | -20°C To 60°C             |
| 3.3 Operating Humidity:    | 20%-85% Rh Non-Condensing |
| 3.4 Storage Humidity:      | 10%-90% Rh Non-Condensing |

**4. Cable Length: 1.8m**

**5. Output plugs:**

( 1 ) 8XC2

A=2.5MM, B=3.5MM, H=3.5\*1.35MM, D=5.0\*2.1MM, G=5.5\*2.5MM, N=5.5\*1.5MM I=4.0\*1.7MM,  
S=2.35\*0.75MM

**6. Device Colour:**

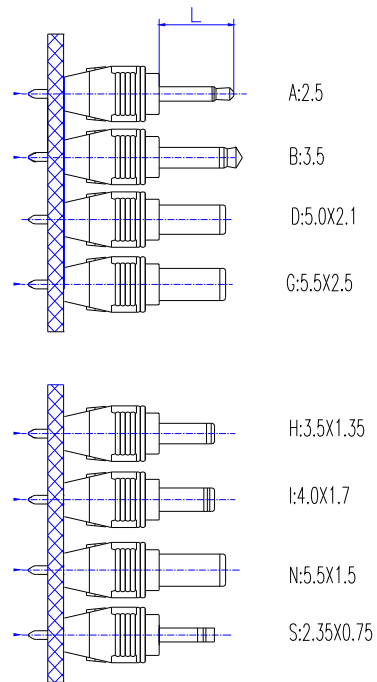
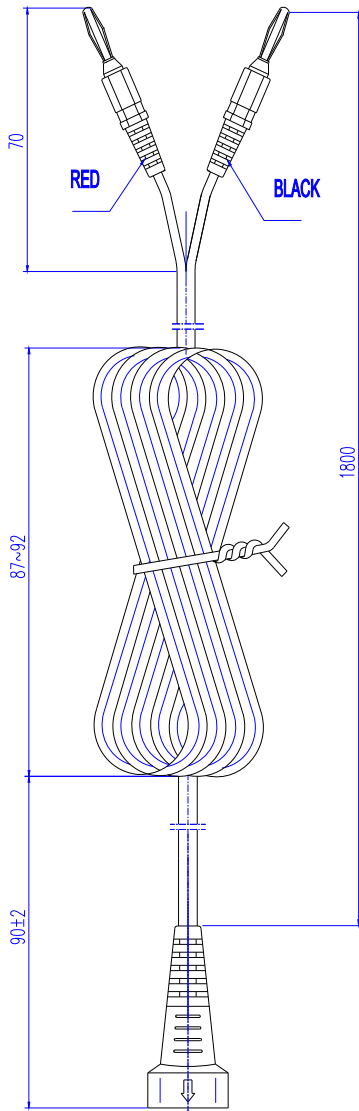
Black

**7: WEIGHT**

78 g MAX exclude packing

### 8. Mechanical Specification:

Consult Attached Drawing



APPROVE:

AUDITING:

CONNER: