

Pushbutton Switches

Characteristic

Specs

Having three head shape: round (Φ18mm), square(18×18mm) and rectangular(18×24mm), containing pilot lamps, pushbuttons, illuminated push buttons, selector switches, key-lock switches, buzzer and emergency switches. The normal diameter of the installation hole is Φ16mm, and some type can be installed in Φ22mm hole easily with the diameter changing circle.

Functions

The product has stable property, small contact resistance, strong insulation resistance, anti-vibration and so on. It meets to standards of IEC60947-5-1, GB14048.5 etc.

Structure

The switch have the advantage of fast-break and self-cleaning, and each of them contains 1NO and 1NC terminal. Every pushbutton also can possess from one to two switch units.

Protective Degree

Its protective degree is IP40, IP65, some of type can reach IP67 with the seal cover.

Lamp Ratings

Lamp Type	AC LED Lamp (Standard)			Neon Lamp		
	AC/DC6V	AC/DC12V	AC/DC24V	AC110V	AC230V	
Rated Voltage	AC/DC110V		AC/DC230V			
Cover Color:	R	G	Y	O	B	W
Life	About 40,000 hours			About 20,000 hours		

Note: the lamp contains a current-limiting resistor inside and doesn't need external connection.

DC LED lamp, dual-color LED lamp and other voltages can be customized.

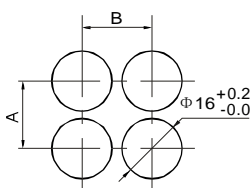
Switch Ratings

Thermal Current I _{th}		5A		
Rated Voltage		24V	125V (110V)	250V (230V)
Direct Current		1A	0.2A	0.1A
Alternating Current	P.F=1		5A	3A
	P.F=0.7		3A	2A

Specifications

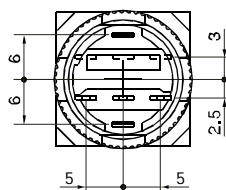
Operating Temperature		-25°C ~ +55°C (no freezing)	
Operating Humidity		45 ~ 85%RH (no condensation)	
Contact Material		- silver - silver alloy - gold-clad silver, cladding thickness is 3 μm	
Contact Resistance		≤ 50MΩ	
Insulation Resistance		≥ 100MΩ	
Dielectric strength	Between contact and lamp terminals:	2000V, AC 50Hz, 1 min	
	Between terminal of the same pole:	1000V, AC 50Hz, 1 min	
	Between terminal of different pole:	2000V, AC 50Hz, 1 min	
Vibration Resistance		50Hz, Amplitude 1.2mm p-p	
Shock Resistance		≥ 10g	
Life	Mechanical	Momentary Type	1,000,000 times
		Alternate and Selector Type	500,000 times
		Key-lock and Emergency Type	200,000 times
	Electrical	≥ 50,000 times	
Terminal		Diameter of welded wire: 2×0.8mm Area of copper wire: 0.75mm ² max Connecting link: 2.8×0.5mm	
Solder Heat Resistance		230°C (no more than 3 second)	
Operating Travel		(Pushbuttons) about 3mm	

Installation Dimensions

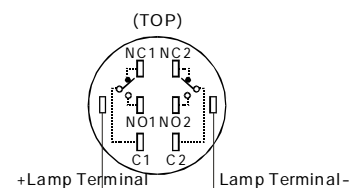


Category	A	B
Round	≥ 18mm	≥ 18mm
Square	≥ 18mm	≥ 18mm
Rectangular	≥ 18mm	≥ 24mm
Mushroom	≥ 24mm	≥ 24mm
Big square	≥ 24mm	≥ 24mm
Big rectangular	≥ 18mm	≥ 24mm

Bottom View



Terminal Arrangement



Datasheet

Item no. 718129/ 718141/ 718153/ 718165/ 718178/ 718153/
718165/ 718178

V1_0717_01_en

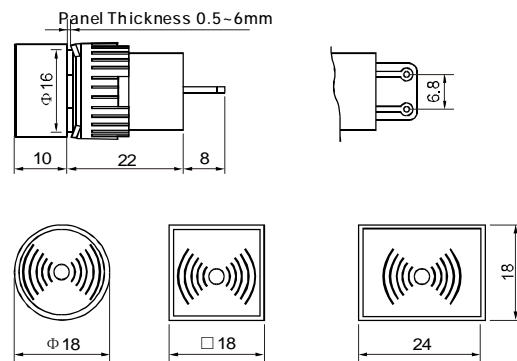
Pushbutton Switches

Buzzer Units

Specifications

Operating Temperature	- 25°C ~ 55°C
Operating Humidity	45 - 85%RH
Dielectric Strength	1000V
Sound Duration	Continuous, Discontinuous
Rated Sound Pressure & Frequency	75 dB(1m)(Rated Voltage) 2300 ± 300Hz
Operating Voltage	6VDC;12VDC;24VDC; 110VAC;230VAC
Rated Operating Current:	≤28 mA

Shape and Dimensions



Product Cutline

Type Number	718129 718141	718153 718165 718178
Shape		

718129 : Round Buzzer, 24V/DC, 6.65g (included rubber ring), $\Phi 18.5 \times 40.4$ mm, $\Phi 15.5$ mm (at the screw thread), 22 mA (at DC24V), IP40

718141 : Round Buzzer, 230V/AC, 8 g, 18.4 x 40.9 mm, $\Phi 15.8$ mm (at the screw thread), 23.2 mA (at AC 230V), continuous buzzer, IP40

718153 : Square Buzzer, 12V/DC, 6.85g (included rubber ring), 39.66 x 18.5 x 18.5 mm, $\Phi 15.5$ mm (at the screw thread), 30 mA (at DC12V)

718165 : Square Buzzer, 24V/DC, 6.9g (included rubber ring), 39.8 x 18.4 x 18.4 mm, $\Phi 15.5$ mm (at the screw thread), 27 mA (at DC24V)

718178 : Square Buzzer, 230V/AC, 8.2 g, 18.2 x 18.7 x 40.6 mm, $\Phi 15.7$ mm (at the screw thread), 22.4 mA (at AC 230V), continuous buzzer, IP40

This is a publication by Conrad Electronic SE, Klaus-Conrad-Str. 1, D-92240 Hirschau (www.conrad.com).

All rights including translation reserved. Reproduction by any method, e.g. photocopy, microfilming, or the capture in electronic data processing systems require the prior written approval by the editor. Reprinting, also in part, is prohibited. This publication represents the technical status at the time of printing.

© Copyright 2017 by Conrad Electronic SE.