

Sleeve housing - VC-K-T2-R - 1855102

Please be informed that the data shown in this PDF Document is generated from our Online Catalog. Please find the complete data in the user's documentation. Our General Terms of Use for Downloads are valid (<http://download.phoenixcontact.com>)



Plastic sleeve housing, locking screws with knurled head, type 2, cable screw connection Pg21

Product Features

- Seals with two cable entries are available
- Angled cable outlet so the cable can be routed as desired, from the side and straight

Key commercial data

package_quantity	5
GTIN	4017918159283

Technical data

Dimensions

Height	65 mm
---------------	-------

Ambient conditions

Degree of protection	IP67
Ambient temperature (operation)	-40 °C ... 80 °C

General

Note	When using fiber optics, the bending radii of the cable manufacturers must be observed.
Design	VC2
Degree of protection	IP67
Inflammability class according to UL 94	V0
Locking type	Screw locking, knurled head
Fixing screws	M4
Tightening torque, mounting screw	1.5 Nm ± 0.3 Nm
Type of the screw connection	Pg21
Pg screw connection	None
Cable exit	Angled
Housing material	Polyamide
Seal material	EPDM
Ambient temperature (operation)	-40 °C ... 80 °C

Sleeve housing - VC-K-T2-R - 1855102

classifications

eCl@ss

eCl@ss 4.0	27140816
eCl@ss 4.1	27140816
eCl@ss 5.0	27371205
eCl@ss 5.1	27371205
eCl@ss 6.0	27371205
eCl@ss 7.0	27371205
eCl@ss 8.0	27371205

ETIM

ETIM 2.0	EC000437
ETIM 3.0	EC000437
ETIM 4.0	EC000437
ETIM 5.0	EC000437

UNSPSC

UNSPSC 6.01	31261501
UNSPSC 7.0901	31261501
UNSPSC 11	31261501
UNSPSC 12.01	31261501
UNSPSC 13.2	31261501

approvals

GOST / GOST /

Approval details



accessories

Half screw connection

Sleeve housing - VC-K-T2-R - 1855102

accessories

VC-K-KV-PG21(7-10,5) - 1853890



VC-K-KV-PG21(9-13) - 1853900



VC-K-KV-PG21(11,5-15,5) - 1853913



VC-K-KV-PG21(14-18) - 1853926



VC-K-KV-PG21(17-20,5) - 1853939



VC-K-KV-PG21(20X7) - 1885198



Sleeve housing - VC-K-T2-R - 1855102

accessories

VC-K-KV-PG21-O - 1885363



VC-M-KV-PG21/M32 ST - 1644397

Multiple screw connection

VC-K-KV-PG21 1X6/2X9 - 1885538



VC-K-KV-PG21-1X8,5/1X12 - 1885279



VC-K-KV-PG21-2X4,5/1X13 - 1885282



Sleeve housing - VC-K-T2-R - 1855102

accessories

VC-K-KV-PG21 2X6/2X8 - 1885554



VC-K-KV-PG21 2X7,2/1X10,5 - 1885567



VC-K-KV-PG21 3X7 - 1885570



VC-K-KV-PG21 3X9 - 1885583



VC-K-KV-PG21 4X6,5 - 1885596



VC-K-KV-PG21 4X8 - 1885606



Sleeve housing - VC-K-T2-R - 1855102

accessories

accessories

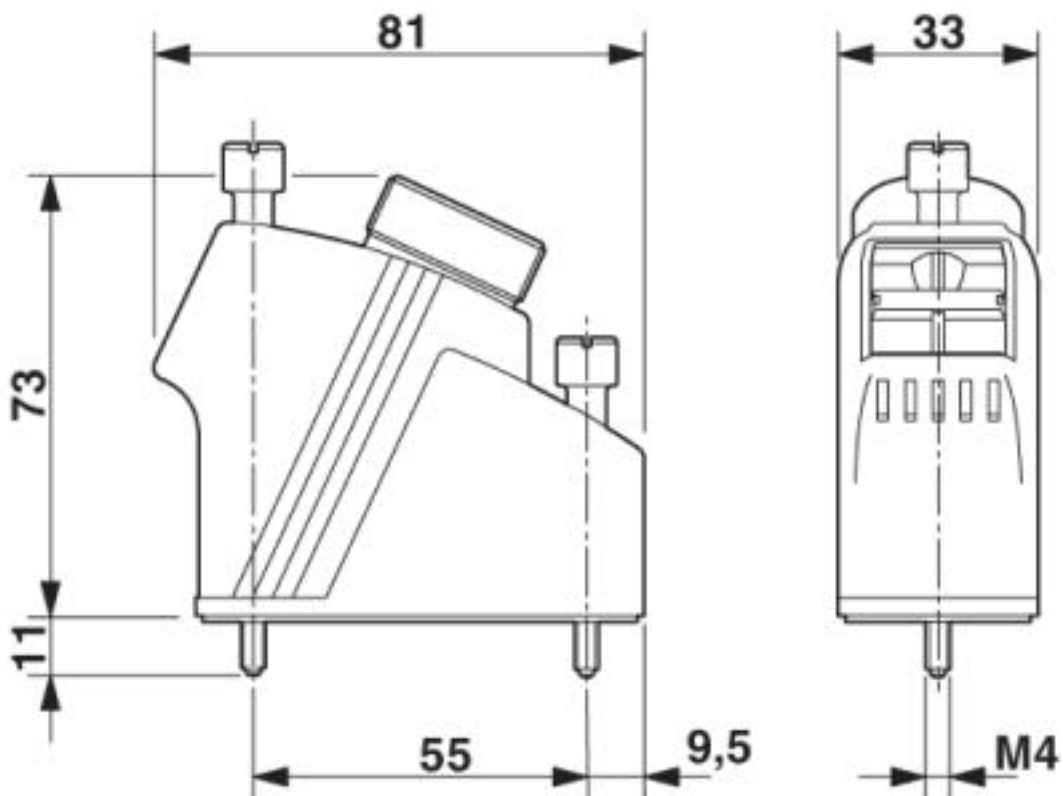
VC-BZS WH - 1852875



Drawings

Dimensioned drawing

Dimensioned drawing



Dimensioned drawing

