

Connector - SACC-M12MS-5CON-PG11-M PWR - 1404417

Please be informed that the data shown in this PDF Document is generated from our Online Catalog. Please find the complete data in the user's documentation. Our General Terms of Use for Downloads are valid (<http://download.phoenixcontact.com>)



Connector, Universal, 5-position, Plug straight M12, A-coded, Screw connection, Knurl material: Zinc die-cast, nickel-plated, Cable gland Pg11, External cable diameter 8 mm ... 10 mm

Product Features

- Safe use in the field, thanks to a high degree of protection
- Flexible: connectors for on-site assembly
- Screw connection: proven connection technology for a large selection of different conductors

Key commercial data

| | |
|-------------------------|---------------|
| package_quantity | 1 |
| GTIN | 4046356694490 |

Technical data

Dimensions

| | |
|--------------------------|----------------|
| External diameter | 8 mm ... 10 mm |
|--------------------------|----------------|

Ambient conditions

| | |
|-----------------------------|------|
| Degree of protection | IP67 |
|-----------------------------|------|

General

| | |
|-------------------------------|---|
| Note | Strip 22 mm off the cable sheath, shorten conductor for the fifth position by 10 mm. Strip 7 mm off the conductor insulation, crimp the ferrule, then shorten this to 5 mm. Length of conductors with shortened ferrule: 20 mm. Connect conductors and tighten the mounting screws with 0.2 Nm. |
| Rated current at 40°C | 8 A (Contact 5: 2 A) |
| Rated voltage | 125 V |
| Number of positions | 5 |
| Contact resistance | ≤ 3 mΩ |
| Insulation resistance | > 10 GΩ |
| Coding | A - standard |
| Standards/regulations | M12 connector IEC 61076-2-101 |
| Signal type/category | Universal |
| Status display | No |
| Surge voltage category | II |
| Pollution degree | 3 |
| Connection method | Screw connection |

Connector - SACC-M12MS-5CON-PG11-M PWR - 1404417

Technical data

General

| | |
|------------------------------------|--|
| Conductor cross section | 1.5 mm ² |
| AWG conductor cross section | 16 |
| Insertion/withdrawal cycles | ≥ 100 |
| Torque | 0.4 Nm (M12 knurl) |
| Torque | 1 Nm ... 1.4 Nm (Pressure nut with coupling sleeve) |
| Torque | 0.4 Nm (Connector with coupling sleeve) |
| Torque | 0.2 Nm (Screw terminal blocks) |
| Assembly instructions | The wires can be connected both with ferrules and without ferrules |

Material

| | |
|--|------------------------------|
| Inflammability class according to UL 94 | V0 |
| Contact material | CuZn |
| Contact surface material | Au |
| Contact carrier material | PA |
| Material of grip body | PA |
| Material, knurls | Zinc die-cast, nickel-plated |

classifications

eCl@ss

| | |
|-------------------|----------|
| eCl@ss 4.0 | 27140815 |
| eCl@ss 4.1 | 27140815 |
| eCl@ss 5.0 | 27143423 |
| eCl@ss 5.1 | 27143423 |
| eCl@ss 6.0 | 27279221 |
| eCl@ss 7.0 | 27440104 |
| eCl@ss 8.0 | 27440104 |

ETIM

| | |
|-----------------|----------|
| ETIM 3.0 | EC002062 |
| ETIM 4.0 | EC002062 |
| ETIM 5.0 | EC002062 |

UNSPSC

| | |
|----------------------|----------|
| UNSPSC 6.01 | 31251501 |
| UNSPSC 7.0901 | 31251501 |
| UNSPSC 11 | 31251501 |
| UNSPSC 12.01 | 31251501 |
| UNSPSC 13.2 | 31251501 |

accessories

Torque tool

Connector - SACC-M12MS-5CON-PG11-M PWR - 1404417

accessories

TSD 04 SAC - 1208429



Screwdriver tools

SACC BIT M12-D20 - 1208445



Stripping tool

WIREFOX 6SC - 1212158



Crimping tool

CRIMPFOX 6H - 1212046



Connector

A 1,5 - 7 - 3200263

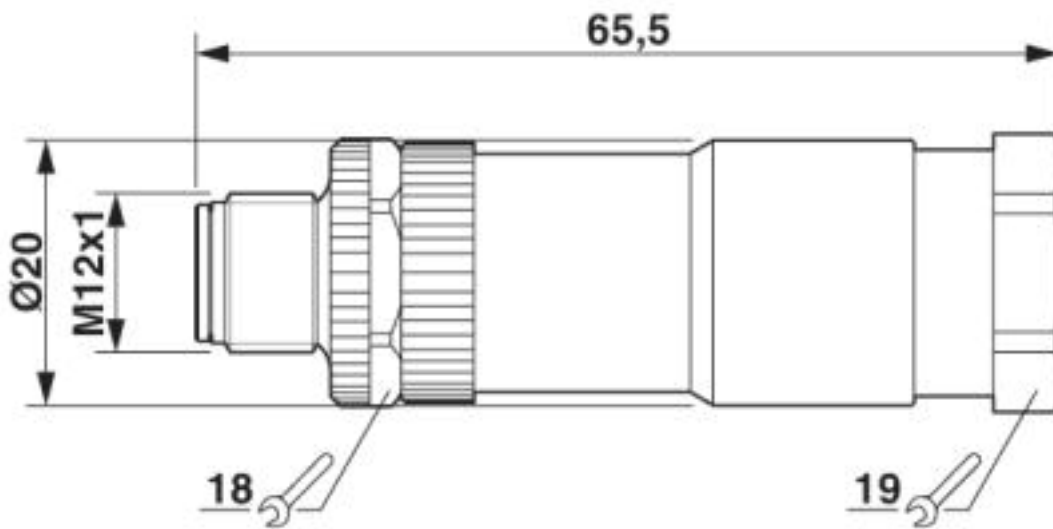


Connector - SACC-M12MS-5CON-PG11-M PWR - 1404417

accessories

Drawings

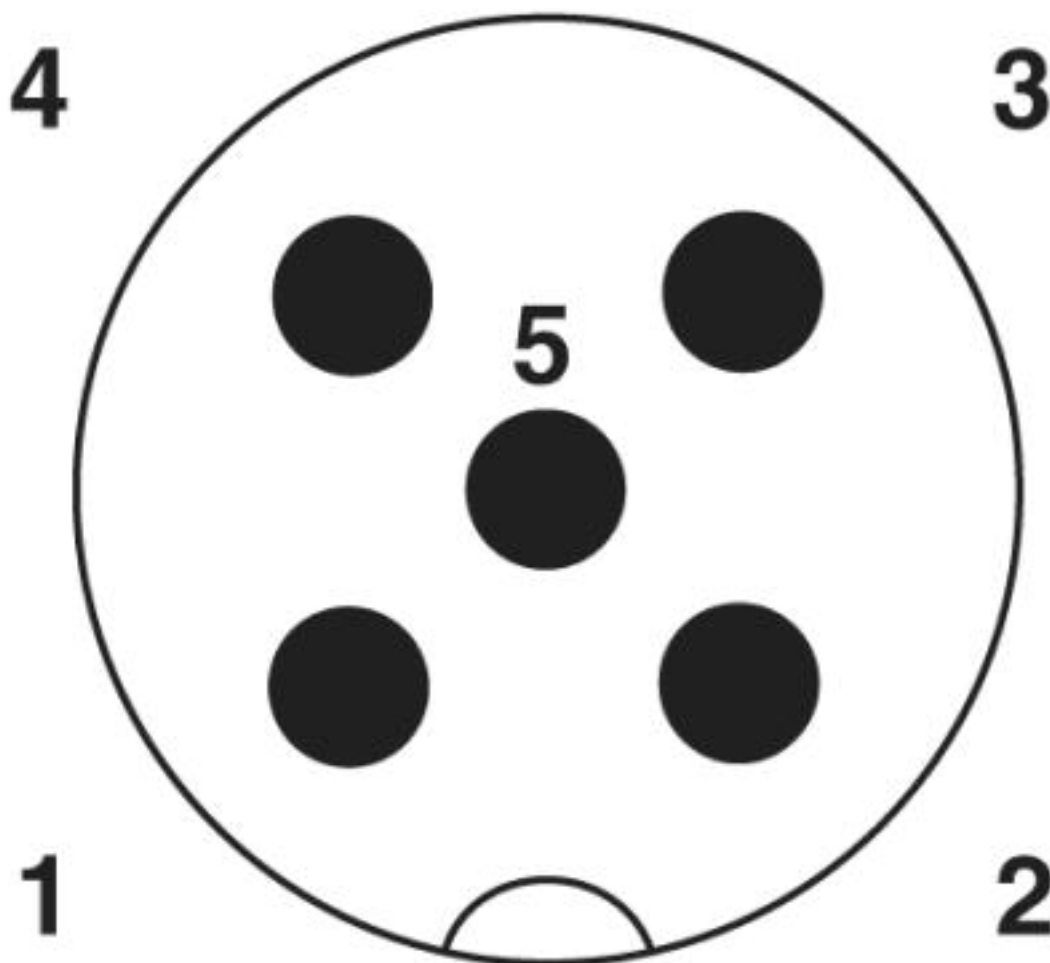
Dimensioned drawing



M12 x 1 plug, straight

Connector - SACC-M12MS-5CON-PG11-M PWR - 1404417

Schematic diagram



Pin assignment M12 male connector, 5-pos., A-coded, male side

© Phoenix Contact 2013 - all rights reserved
<http://www.phoenixcontact.com>