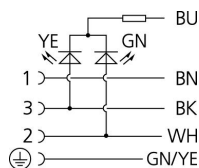
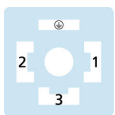
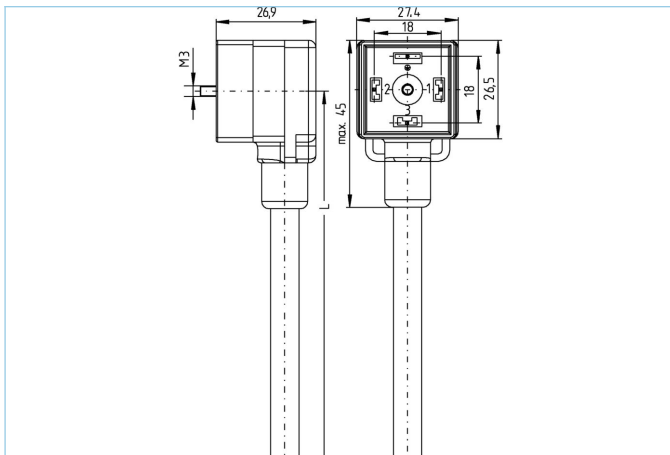


## Extension cable, Valve connector, A



### Product data

Item description	VA41-24.2-5/S370
Item-No.	8047805
Length	5m
Customs tariff-No.	85444290

### Technical data

Connector	Female, Valve A, angled
Number of pins	3+PE wire
Pin assignment	1 BN, 2 WH, 3 BK, PE: GN/YE
Rated voltage	24V <sub>DC</sub>
Current load (at 40°C)	4A
Insulation resistance	≥10 <sup>8</sup> Ω
Ambient temperature product	-30°C...+90°C
Signal status-indicator	LED YE/GN
Contact material	Metal, CuSn, silver-plated
Contact-carrier material	Plastic, PA, BK
Grip body material	Plastic, TPU, BK, translucent
Sealing (female) material	Plastic, TPU
Protection circuit	without
Fixing screw	Metal, CuZn, nickel-plated
Housing style	A
Standards	DIN EN 175301-803
Degree of protection (mounted)	IP65, IP67, IP68
Mechanical life-cycle	>100 mating cycles
Degree of pollution	3

**Cable**

**S370**

Flexible, silicone- and halogen-free control line with high mechanical strength. The cable is chemicals, hydrolysis-, and microbes- resistant. The drag-chain application is possible at a bending radius of minimum 10 x d. Due to its weld-field immunity, the cable is very well suited for the flexible application in robotics, machine-tool, and metal-cutting production. The cables meet the UL and CSA (UL10493/20549; cULus) requirements.

Outer diameter of jacket	6,8 +/- 0,2 mm
Cable-jacket material	PUR
Jacket color	black, similar RAL9005
Wire cross-section	5 x 0.75 mm <sup>2</sup>
Wire insulation material	PP
Wire colors	BN, WH, BU, BK, GN/YE
Conductor structure	42 x 0,15 mm
Bending radius (fixed)	5 x Ø-cable
Bending radius (repeated)	10 x Ø-cable
Temperature range (repeated)	-30°C...+90°C
Temperature range (fixed)	-40°C...+90°C
Temperature range (drag chain)	-25°C...+60°C
Halogen-free	Yes
Rated voltage cable	≤300 V
Special features	flame retardant, seawater resistant, recyclable, LABS free, RoHs compliant, acid- and alkali resistant, ozone resistant, UV resistant, hydrolysis proof, drag chain-adapted, torsion resistant, welding sparks resistant, halogen free, silicone free, oil resistant