

# Housing - VC-MP-T3-Z - 1884911

Please be informed that the data shown in this PDF Document is generated from our Online Catalog. Please find the complete data in the user's documentation. Our General Terms of Use for Downloads are valid (<http://download.phoenixcontact.com>)



Metal sleeve housing, powder-coating, locking screws with cylindrical head, type 3, cable screw connection Pg21

## Key commercial data

<b>package_quantity</b>	5
<b>GTIN</b>	4017918187040

## Technical data

### Dimensions

<b>Height</b>	75 mm
---------------	-------

### Ambient conditions

<b>Degree of protection</b>	IP65/IP66/IP67
<b>Ambient temperature (operation)</b>	-40 °C ... 125 °C

### General

<b>Note</b>	When using fiber optics, the bending radii of the cable manufacturers must be observed.
<b>Design</b>	VC3
<b>Degree of protection</b>	IP65/IP66/IP67
<b>Locking type</b>	Screw locking, cylinder head
<b>Tightening torque, mounting screw</b>	1 Nm ± 0.5 Nm
<b>Type of the screw connection</b>	1x Pg21
<b>Pg screw connection</b>	None
<b>Cable exit</b>	Angled
<b>Number of module slots</b>	4
<b>Housing material</b>	Zinc die-cast
<b>Housing surface material</b>	Powder coating
<b>Seal material</b>	EPDM
<b>Ambient temperature (operation)</b>	-40 °C ... 125 °C

## classifications

### eCl@ss

<b>eCl@ss 4.0</b>	27140816
-------------------	----------

# Housing - VC-MP-T3-Z - 1884911

## classifications

### eCl@ss

eCl@ss 4.1	27140816
eCl@ss 5.0	27371205
eCl@ss 5.1	27371205
eCl@ss 6.0	27371205
eCl@ss 7.0	27371205
eCl@ss 8.0	27371205

### ETIM

ETIM 2.0	EC000437
ETIM 3.0	EC000437
ETIM 4.0	EC000437
ETIM 5.0	EC000437

### UNSPSC

UNSPSC 6.01	31261502
UNSPSC 7.0901	31261502
UNSPSC 11	31261502
UNSPSC 12.01	31261502
UNSPSC 13.2	31261502

## accessories

### Half screw connection

VC-M-KV-PG21( 7-10,5) - 1853997



VC-M-KV-PG21( 9-13) - 1854006



## Housing - VC-MP-T3-Z - 1884911

### accessories

VC-M-KV-PG21(11,5-15,5) - 1854035



VC-M-KV-PG21(14-18) - 1854048



VC-M-KV-PG21(17-20,5) - 1854051



VC-M-KV-PG21(20X 7) - 1885305



### **Multiple screw connection**

VC-M-KV-PG21 1X6/2X9 - 1885619



## Housing - VC-MP-T3-Z - 1884911

### accessories

VC-M-KV-PG21- 1X8,5/1X12 - 1854970



VC-M-KV-PG21 2X6/2X8 - 1885635



VC-M-KV-PG21 2X7,2/1X10,5 - 1885648



VC-M-KV-PG21 3X7 - 1885651



VC-M-KV-PG21 3X9 - 1885664



VC-M-KV-PG21 4X6,5 - 1885677



# Housing - VC-MP-T3-Z - 1884911

accessories

---

VC-M-KV-PG21 4X8 - 1885680



accessories

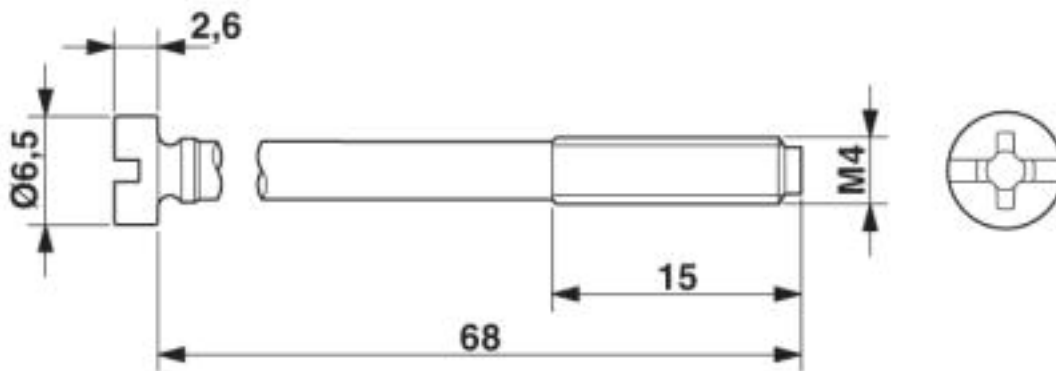
---

VC-BZS WH - 1852875



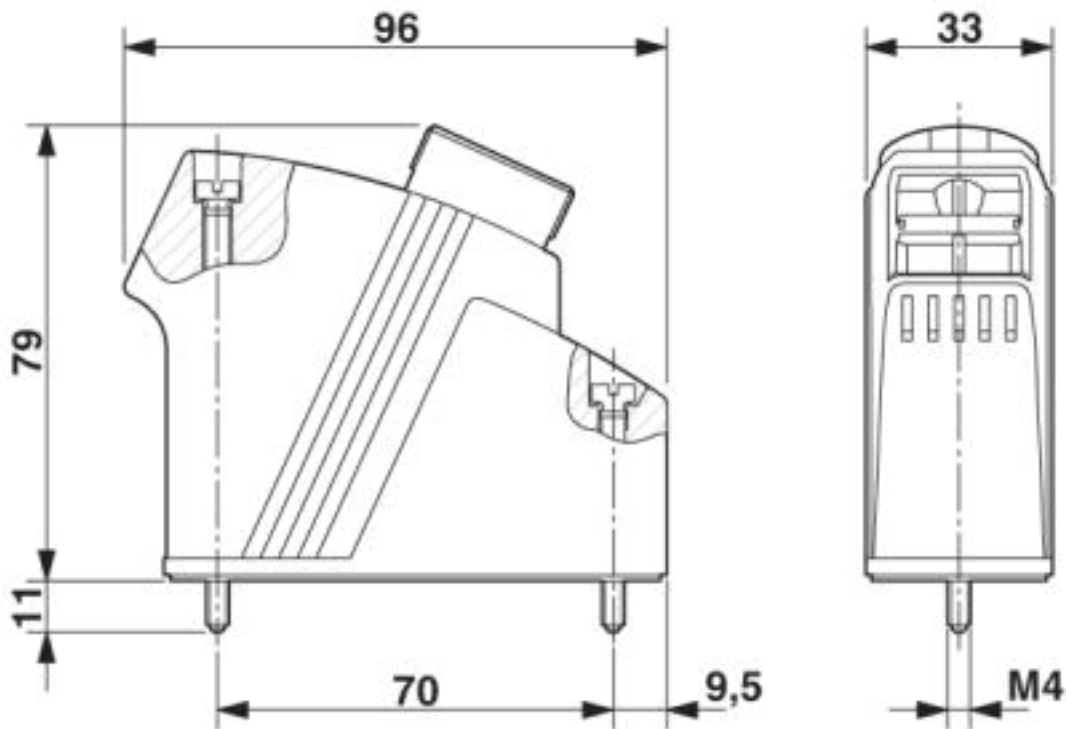
## Drawings

Dimensioned drawing



# Housing - VC-MP-T3-Z - 1884911

Dimensioned drawing



Dimensioned drawing

