

Flush-type connector - SACC-DSI-M 8FS-3CON-M12/0,5 - 1453449

Please be informed that the data shown in this PDF Document is generated from our Online Catalog. Please find the complete data in the user's documentation. Our General Terms of Use for Downloads are valid (<http://download.phoenixcontact.com>)



Sensor/actuator flush-type socket, 3-pos., M8, rear/screw mounting, with M12 thread, with 0.5 m TPE litz wire, 3 x 0.25 mm²

Key commercial data

package_quantity	1
GTIN	4046356554411

Technical data

Dimensions

Length of cable	0.5 m
-----------------	-------

Ambient conditions

Ambient temperature (operation)	-25 °C ... 85 °C (Socket)
Degree of protection	IP67

General

Rated current at 40°C	4 A
Rated voltage	60 V
Number of positions	3
Contact resistance	≤ 3 mΩ
Insulation resistance	≥ 100 MΩ
Coding	A - standard
Standards/regulations	M8 connector IEC 61076-2-104
Status display	No
Surge voltage category	II
Pollution degree	3
Connection method	Individual wires
Mounting type	Rear mounting M12 x 1

Material

Inflammability class according to UL 94	HB
Contact material	Cu alloy
Contact surface material	Au
Contact carrier material	PUR / PA66
Material, knurls	Nickel-plated brass

Flush-type connector - SACC-DSI-M 8FS-3CON-M12/0,5 - 1453449

Technical data

Material

Sealing material	Viton
------------------	-------

Cable

Cable type	TPE litz wire
Conductor cross section	0.25 mm ²
AWG signal line	24
Conductor structure signal line	14x 0.15 mm
Core diameter including insulation	1.15 mm ±0.07 mm
Thickness, insulation	0.21 mm
Wire colors	brown, blue, black
Material conductor insulation	TPE
Conductor material	Tin-plated Cu litz wires
Insulation resistance	≥ 20 MΩ*km
Conductor resistance	≥ 80 Ω/km
Nominal voltage, cable	300 V
Test voltage, cable	2000 V AC
Ambient temperature (operation)	-25 °C ... 90 °C (cable, fixed installation)

classifications

eCl@ss

eCl@ss 4.0	27250313
eCl@ss 4.1	27250313
eCl@ss 5.0	27260701
eCl@ss 5.1	27260701
eCl@ss 6.0	27279220
eCl@ss 7.0	27440103
eCl@ss 8.0	27440103

ETIM

ETIM 3.0	EC002061
ETIM 4.0	EC002061
ETIM 5.0	EC002061

UNSPSC

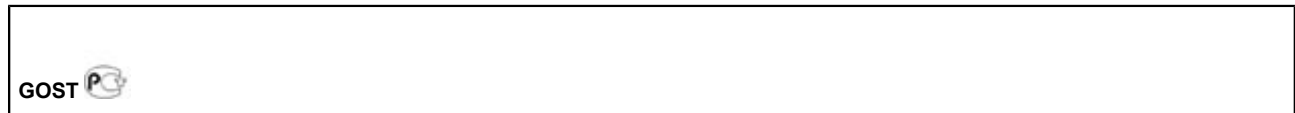
UNSPSC 6.01	31251501
UNSPSC 7.0901	31251501
UNSPSC 11	31251501
UNSPSC 12.01	31251501
UNSPSC 13.2	31251501

Flush-type connector - SACC-DSI-M 8FS-3CON-M12/0,5 - 1453449

approvals

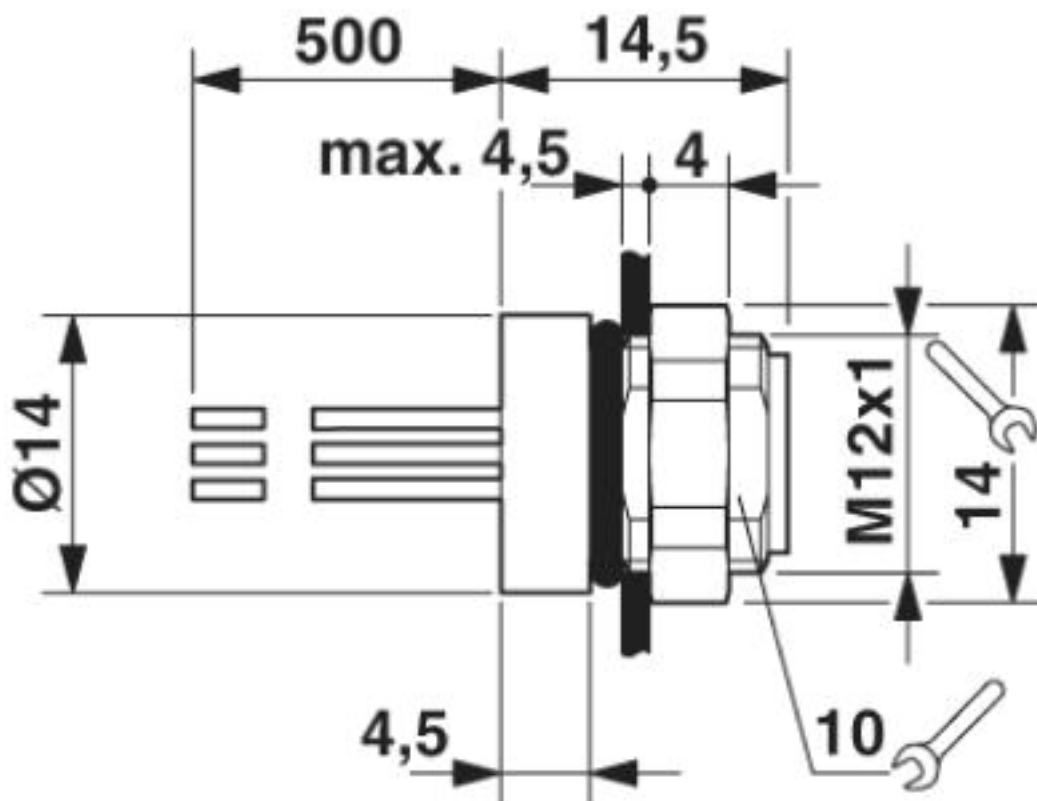
GOST /

Approval details



Drawings

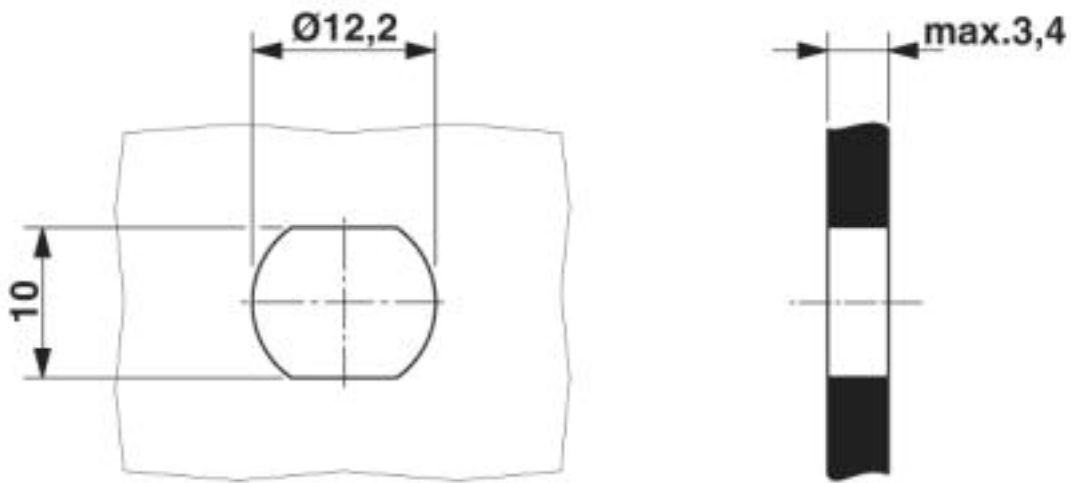
Dimensioned drawing



M8 flush-type socket

Flush-type connector - SACC-DSI-M 8FS-3CON-M12/0,5 - 1453449

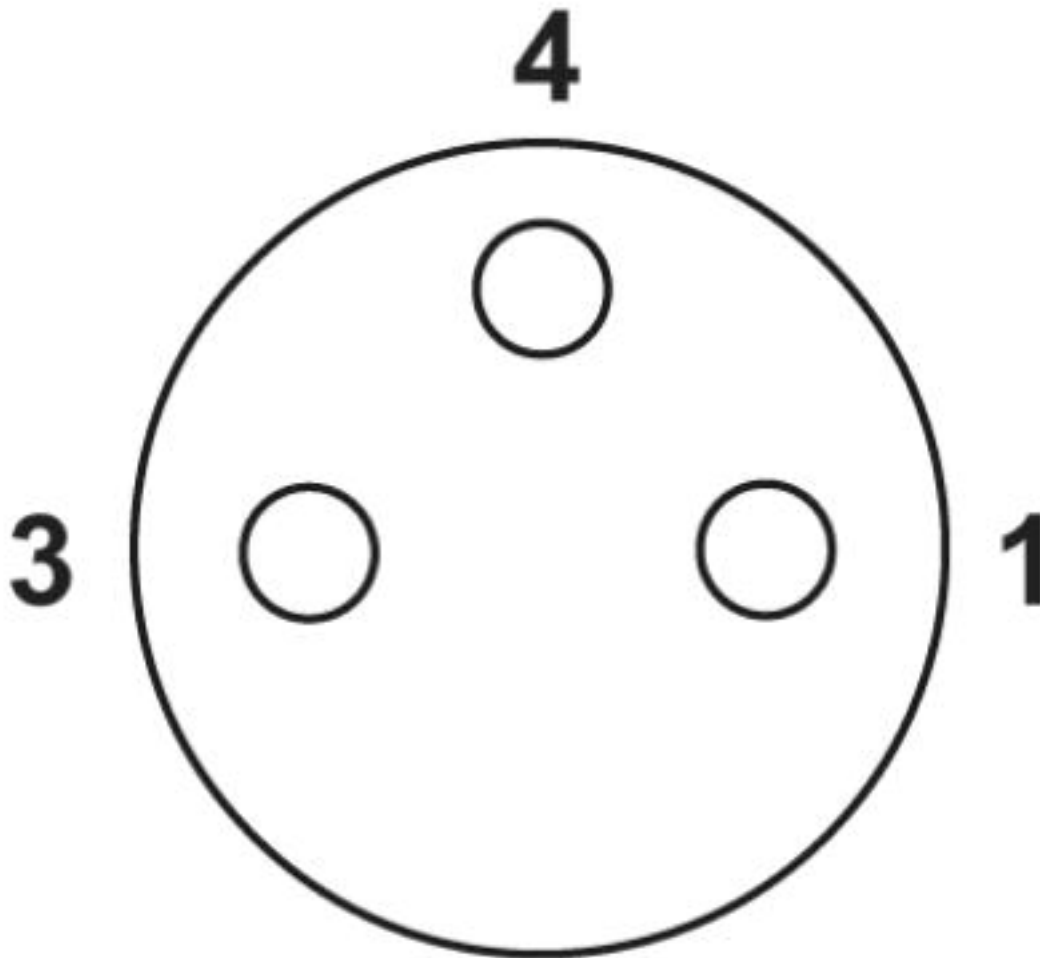
Dimensioned drawing



Housing cutout for M8 flush-type connector, socket, one-section

Flush-type connector - SACC-DSI-M 8FS-3CON-M12/0,5 - 1453449

Schematic diagram



Pin assignment M8 socket, 3-pos., view female side

© Phoenix Contact 2013 - all rights reserved
<http://www.phoenixcontact.com>