

# Contact insert - VC-AML 2 - 1852859

Please be informed that the data shown in this PDF Document is generated from our Online Catalog. Please find the complete data in the user's documentation. Our General Terms of Use for Downloads are valid (<http://download.phoenixcontact.com>)



Contact insert module, for panel mounting frames, with 90° PCB connection, 2-pos., 400 V / 20 A

## Product Features

- Compact design
- Proven COMBICON technology
- Direct PCB connection
- Can be keyed to prevent incorrect connection

## Key commercial data

<b>package_quantity</b>	50
<b>GTIN</b>	4017918127190

## Technical data

### General

<b>Note</b>	Connectors may only be connected/disconnected when under no load.
<b>Connection method</b>	Solder connection
<b>Connection method</b>	Solder connection
<b>Pollution degree</b>	3
<b>Surge voltage category</b>	III
<b>Number of positions</b>	2
<b>Insertion/withdrawal cycles</b>	≥ 100
<b>Pin dimensions</b>	1 x 0,8 mm
<b>Connection in acc. with standard</b>	IEC / EN

### Ambient conditions

<b>Ambient temperature (operation)</b>	-40 °C ... 100 °C
--	-------------------

### Material data

<b>Inflammability class according to UL 94</b>	V0
<b>Contact material</b>	CuZn
<b>Contact surface material</b>	Tin-plated
<b>Contact carrier material</b>	PA

### Electrical characteristics

<b>Rated voltage (III/3)</b>	400 V
------------------------------	-------

# Contact insert - VC-AML 2 - 1852859

## Technical data

### Electrical characteristics

Rated surge voltage	6 kV
Rated surge voltage	6 kV
Rated current	20 A

## classifications

### eCl@ss

eCl@ss 4.0	27140816
eCl@ss 4.1	27140816
eCl@ss 5.0	27371205
eCl@ss 5.1	27371205
eCl@ss 6.0	27371205
eCl@ss 7.0	27371205
eCl@ss 8.0	27371205

### ETIM

ETIM 2.0	EC000437
ETIM 3.0	EC000437
ETIM 4.0	EC000437
ETIM 5.0	EC000437


### UNSPSC

UNSPSC 6.01	31261501
UNSPSC 7.0901	31261501
UNSPSC 11	31261501
UNSPSC 12.01	31261501
UNSPSC 13.2	31261501

## approvals

UL Recognized / cUL Recognized / GOST / LR / GOST / cULus Recognized /

### Approval details

UL Recognized 	
Nominal voltage UN	600 V
Nominal current IN	20 A
mm <sup>2</sup> /AWG/kcmil	

# Contact insert - VC-AML 2 - 1852859

approvals

cUL Recognized	
Nominal voltage UN	600 V
Nominal current IN	20 A
mm <sup>2</sup> /AWG/kcmil	

GOST
------

LR
----

--

cULus Recognized
------------------

accessories

**Coding element**

CP-HCC 4 - 1600027

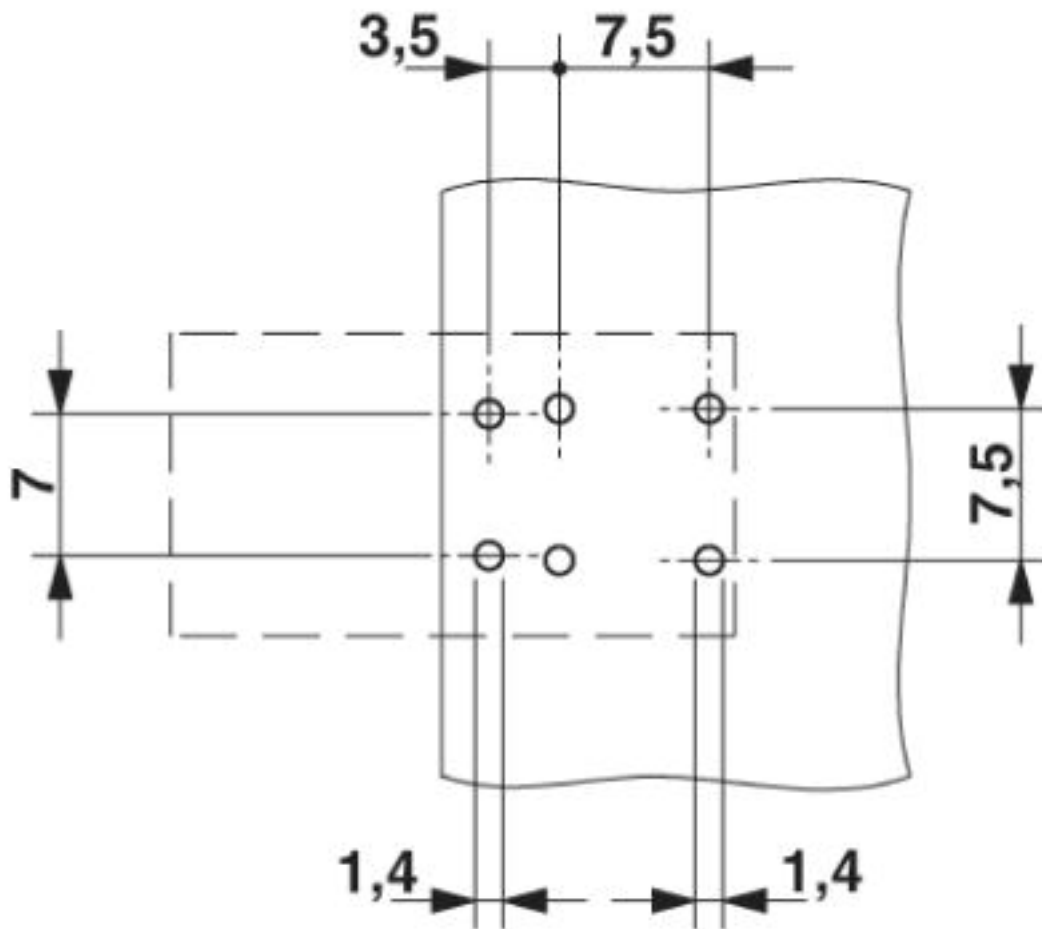


---

Drawings

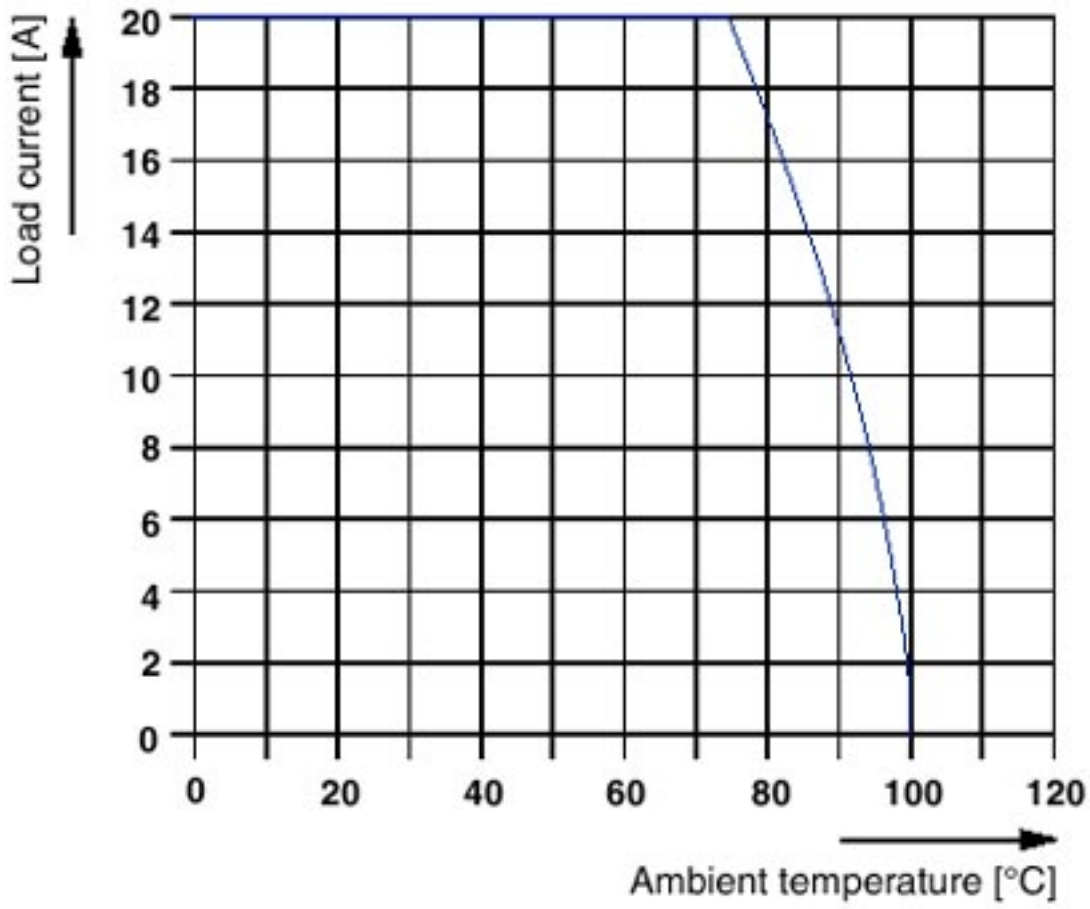
# Contact insert - VC-AML 2 - 1852859

Drilling diagram



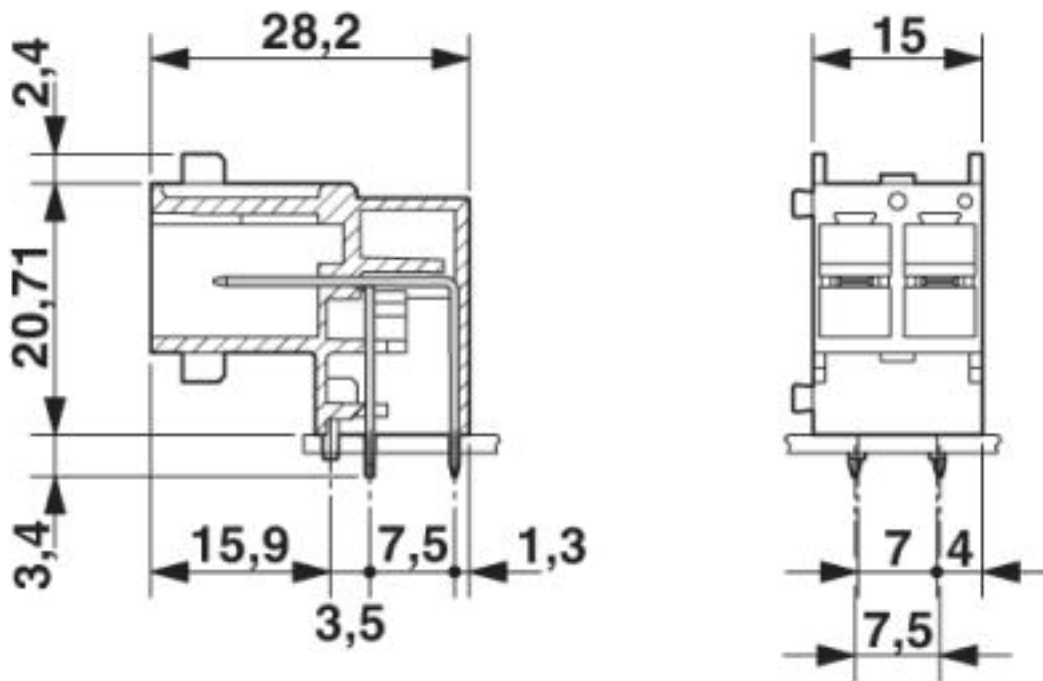
# Contact insert - VC-AML 2 - 1852859

Diagram



# Contact insert - VC-AML 2 - 1852859

Dimensioned drawing



© Phoenix Contact 2013 - all rights reserved  
<http://www.phoenixcontact.com>