

## Reducing adapter - REDUC-M-KV-M25/M20 - 1647624

Please be informed that the data shown in this PDF Document is generated from our Online Catalog. Please find the complete data in the user's documentation. Our General Terms of Use for Downloads are valid (<http://download.phoenixcontact.com>)



Step-down adapter, M25 to M20, including O-ring

### Key commercial data

<b>package_quantity</b>	10
<b>GTIN</b>	4017918941529

### Technical data

#### Ambient conditions

<b>Degree of protection</b>	IP68 (Depends on the screw connection used)
<b>Ambient temperature (operation)</b>	-20 °C ... 80 °C

#### General

<b>Material</b>	Nickel-plated brass
<b>Material, O-ring</b>	NBR
<b>Thread type on connection side</b>	M20

### classifications

#### eCl@ss

<b>eCl@ss 4.0</b>	27141209
<b>eCl@ss 4.1</b>	27141209
<b>eCl@ss 5.0</b>	27149109
<b>eCl@ss 5.1</b>	27149109
<b>eCl@ss 6.0</b>	27149109
<b>eCl@ss 7.0</b>	27149109
<b>eCl@ss 8.0</b>	27149109

#### ETIM

<b>ETIM 2.0</b>	EC000441
<b>ETIM 3.0</b>	EC000441
<b>ETIM 4.0</b>	EC000441
<b>ETIM 5.0</b>	EC000441

#### UNSPSC

<b>UNSPSC 6.01</b>	30211808
--------------------	----------

# Reducing adapter - REDUC-M-KV-M25/M20 - 1647624

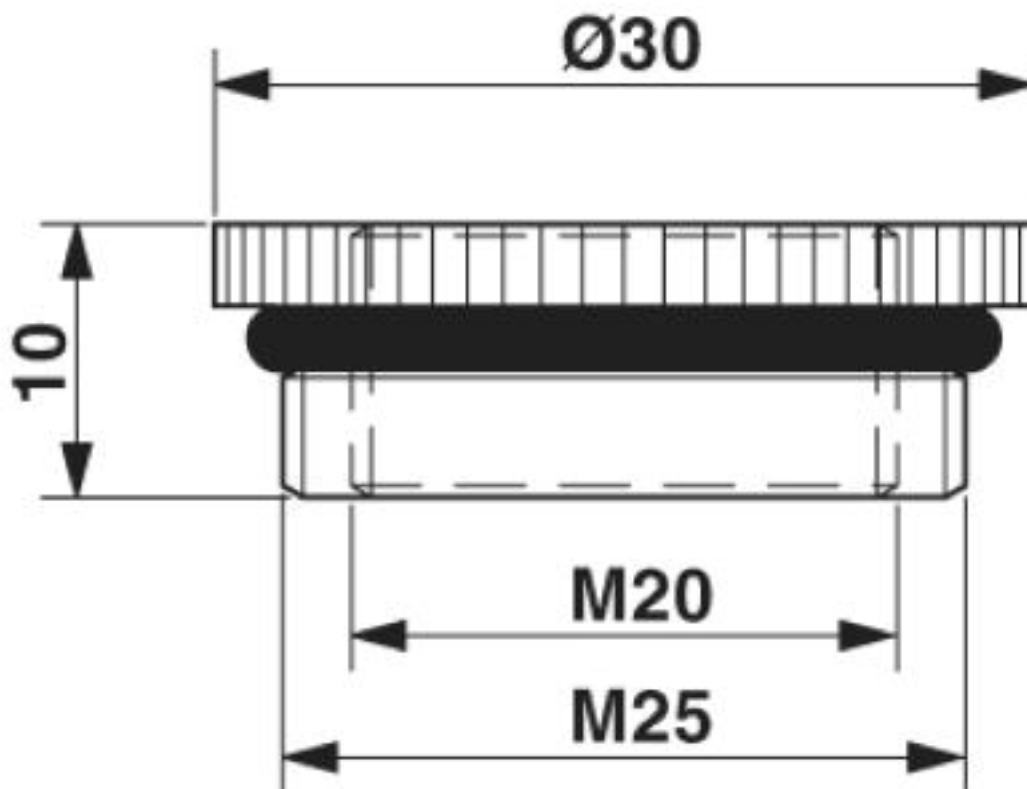
classifications

UNSPSC

UNSPSC 7.0901	39121408
UNSPSC 11	39121408
UNSPSC 12.01	39121408
UNSPSC 13.2	39121408

Drawings

Dimensioned drawing



Dimensional drawing

© Phoenix Contact 2013 - all rights reserved  
<http://www.phoenixcontact.com>