

Sensor/Actuator cable - SAC-3P- 1,5-116/A-1L-Z - 1453371

Please be informed that the data shown in this PDF Document is generated from our Online Catalog. Please find the complete data in the user's documentation. Our General Terms of Use for Downloads are valid (<http://download.phoenixcontact.com>)



Sensor/Actuator cable, 3-position, PUR/PVC, Black RAL 9005, Free cable end, on Valve connector A, with 1 LED, connected with Z diode, Cable length: 1.5 m

Key commercial data

package_quantity	1
GTIN	4046356552950

Technical data

Dimensions

Length of cable	1.5 m
-----------------	-------

Ambient conditions

Ambient temperature (operation)	-20 °C ... 85 °C (valve plug)
Degree of protection	IP65
Degree of protection	IP67

General

Rated current at 40°C	4 A
Rated voltage	24 V
Number of positions	3
Contact resistance	≤ 5 mΩ
Insulation resistance	≥ 100 MΩ
Standards/regulations	Valve connector EN 175301-803
Status display	1 LED
Protective circuit/component	Z diode
Surge voltage category	III
Pollution degree	3
Torque	0.6 Nm (Valve connector)

Material

Inflammability class according to UL 94	V0
Valve plug contact material	CuSn
Valve plug contact surface material	Sn
Valve plug contact insert material	PA 66
Material housing valve plug	TPU

Sensor/Actuator cable - SAC-3P- 1,5-116/A-1L-Z - 1453371

Technical data

Material

Sealing material	TPU (Seal molded)
-------------------------	-------------------

Cable

Cable type	PUR/PVC, 0.75 mm ² , black
Cable type (abbreviation)	116
Cable abbreviation	LiYY11Y
UL AWM style	20549
Conductor cross section	3x 0.75 mm ² (signal line)
AWG signal line	18
Conductor structure signal line	24x 0.20 mm
Core diameter including insulation	1.7 mm ±0.05 mm
Wire colors	black 1, black 2, green/yellow
Overall twist	3 wires, twisted
External sheath, color	Black RAL 9005
External cable diameter	5.80 mm
Smallest bending radius, fixed installation	58 mm
Number of bending cycles	1000000
Bending radius	58 mm
Traversing path	10 m
Traversing rate	2 m/s
Acceleration	2.5 m/s ²
Outer sheath, material	PUR
Material, inner sheath	PVC
Material conductor insulation	PVC
Conductor material	Bare Cu litz wires
Insulation resistance	≥ 20 MΩ*km
Conductor resistance	26 Ω/km (at 20 °C)
Nominal voltage, cable	300 V
Test voltage, cable	1200 V
Special properties	Flexible cable conduit capable
Special properties	Silicone-free
Special properties	Free of substances which would hinder coating with paint or varnish
Flame resistance	DIN VDE 0482
Flame resistance	DIN EN 50265-2-1
Flame resistance	In accordance with UL FT-2
Other resistance	Highly resistant to acids, alkaline solutions and solvents
Other resistance	hydrolysis and microbe resistant
Ambient temperature (operation)	-40 °C ... 80 °C (cable, fixed installation)
Ambient temperature (operation)	-5 °C ... 80 °C (cable, flexible installation)

Sensor/Actuator cable - SAC-3P- 1,5-116/A-1L-Z - 1453371

classifications

eCl@ss

eCl@ss 4.0	27060306
eCl@ss 4.1	27060306
eCl@ss 5.0	27061801
eCl@ss 5.1	27061801
eCl@ss 6.0	27061801
eCl@ss 7.0	27061801
eCl@ss 8.0	27061801

ETIM

ETIM 3.0	EC001855
ETIM 4.0	EC001855
ETIM 5.0	EC001855

UNSPSC

UNSPSC 6.01	31251501
UNSPSC 7.0901	31251501
UNSPSC 11	31251501
UNSPSC 12.01	31251501
UNSPSC 13.2	31251501

accessories

Mounting material

SAC-V-SCREW-M3-29 KNURL - 1403779



Torque tool

TSD-M 1,2NM - 1212224



Screwdriver tools

Sensor/Actuator cable - SAC-3P- 1,5-116/A-1L-Z - 1453371

accessories

SF-BIT-PH 1-70 - 1212582



Conductor marking

PABA WH/15 - 1013151



PABA YE/15 - 1013698



PABA RD/15 - 1013944



Marker carrier cable

PATG 2/15 - 1013038



Sensor/Actuator cable - SAC-3P- 1,5-116/A-1L-Z - 1453371

accessories

PATG 3/15 - 1013041



PATG 4/15 - 1013054



Marker pen

B-STIFT - 1051993



Cutting tools

CUTFOX-S VDE - 1212207



Stripping tool

WIREFOX SAC - 1212623



Sensor/Actuator cable - SAC-3P- 1,5-116/A-1L-Z - 1453371

accessories

WIREFOX 10 - 1212150

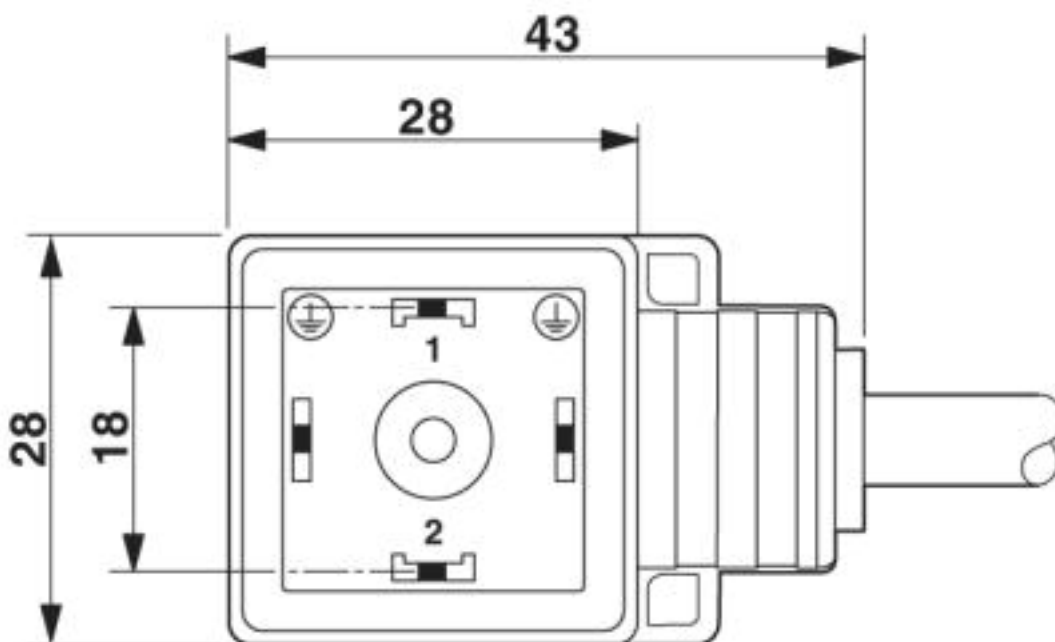


accessories

WIREFOX SAC-1 - 1212757

Drawings

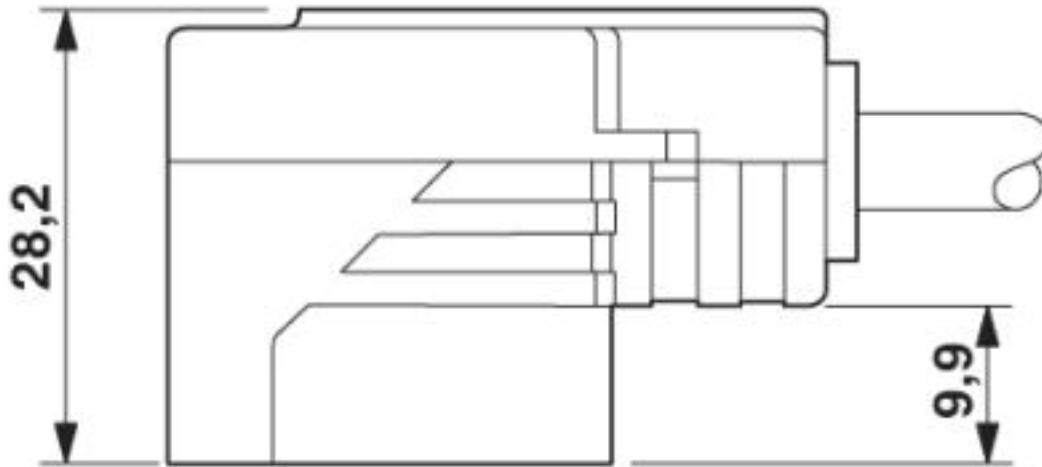
Dimensioned drawing



Valve connector, type A

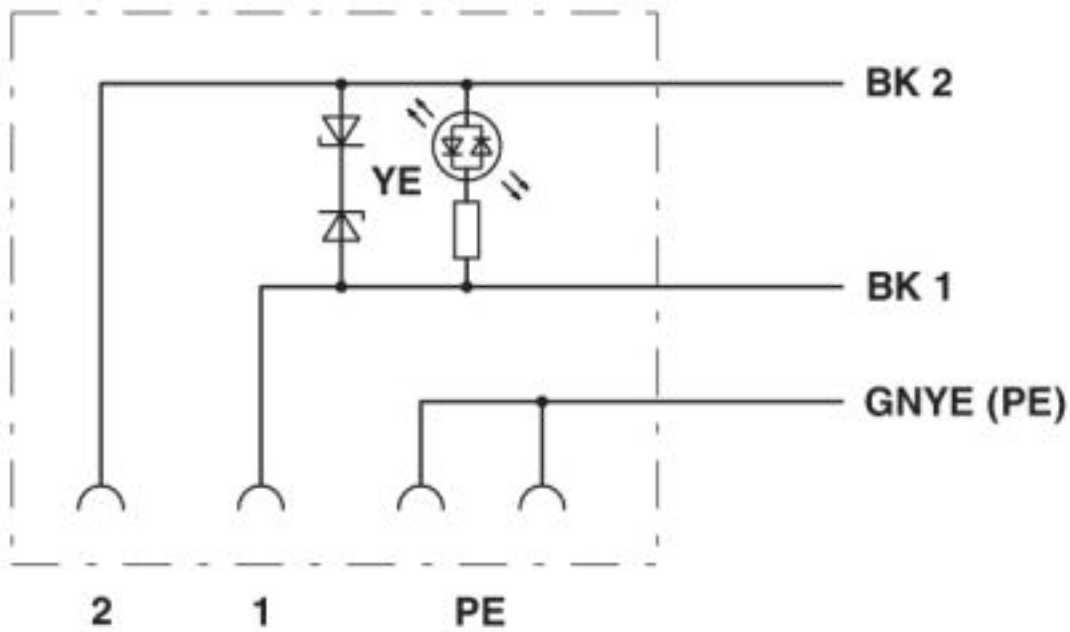
Sensor/Actuator cable - SAC-3P- 1,5-116/A-1L-Z - 1453371

Dimensioned drawing



Valve connector, type A, side view

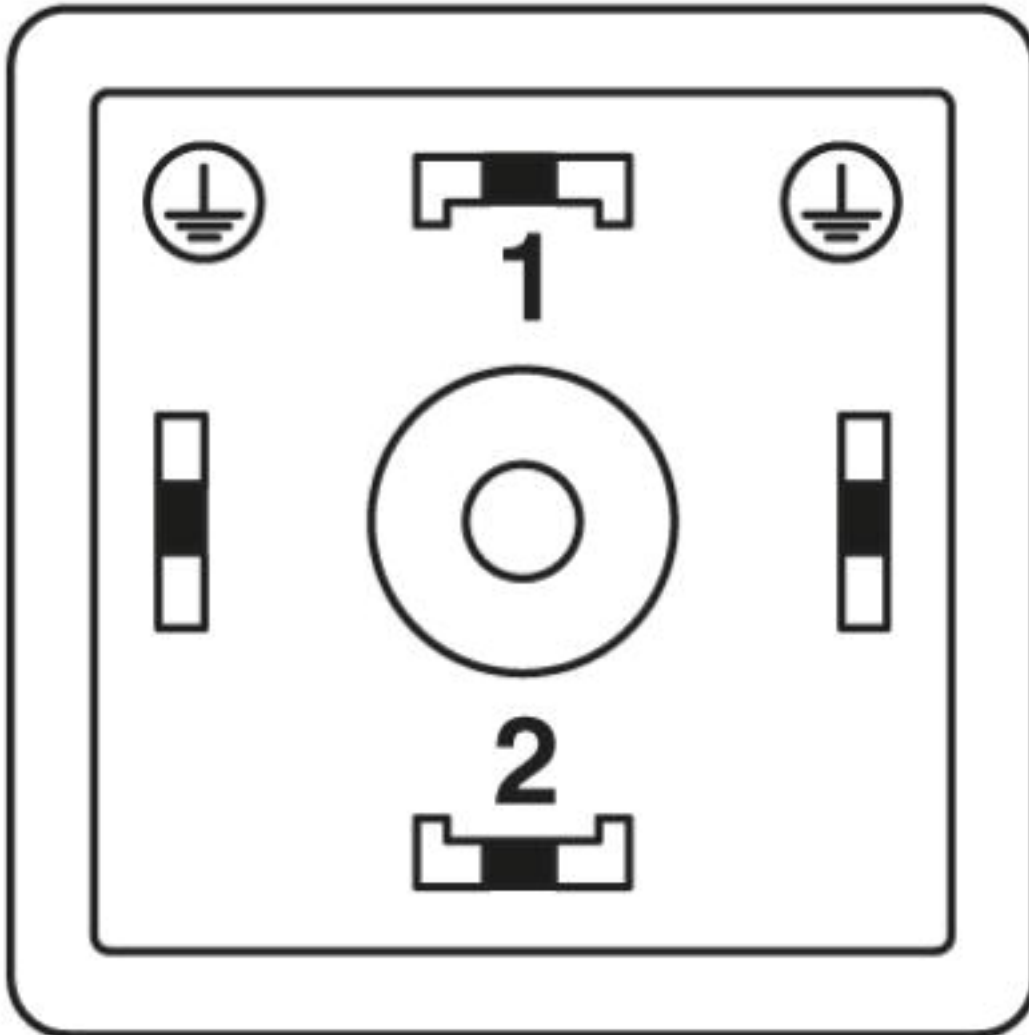
Circuit diagram



Contact assignment of the valve plug

Sensor/Actuator cable - SAC-3P- 1,5-116/A-1L-Z - 1453371

Schematic diagram



Valve connector pin assignment, type A

Sensor/Actuator cable - SAC-3P- 1,5-116/A-1L-Z - 1453371

Cable cross section



PUR/PVC black [116]

© Phoenix Contact 2013 - all rights reserved
<http://www.phoenixcontact.com>