

Sensor/actuator box - SACB-4/ 4-L-C SCO P - 1452806

Please be informed that the data shown in this PDF Document is generated from our Online Catalog. Please find the complete data in the user's documentation. Our General Terms of Use for Downloads are valid (<http://download.phoenixcontact.com>)



Sensor/actuator box, Connection method: M12-SPEEDCON-socket Plastic, Number of slots: 4, Number of positions: 4, Slot assignment: Single, Status indication: Yes, pnp; Master cable connection: Pluggable screw connection 180°, Shielding: No

Product Features

- Safety in the field, thanks to molded housing and high degree of protection
- Flexible, distributed bundling of signals in one master cable
- Convenient: increased machine availability thanks to quick and easy diagnostics
- Save time, thanks to installation with SPEEDCON rapid interlock system
- Flexible: distributor box with connector hood for on-site assembly



Key commercial data

package_quantity	1
GTIN	4046356553667

Technical data

General

Rated voltage	24 V DC
Max. operating voltage U_{max}	30 V DC
Current carrying capacity per I/O signal	2 A
Current carrying capacity per slot	4 A
Total rated current	10 A
Number of positions	4
Number of slots	4
Inflammability class according to UL 94	V0
Sensor/actuator connection system	M12-SPEEDCON-socket

Ambient conditions

Degree of protection	IP65
Degree of protection	IP67
Ambient temperature (operation)	-25 °C ... 80 °C

Local diagnostics function

Local diagnostics	Supply voltage Green LED
Local diagnostics	Status display I/O Yellow LED

Sensor/actuator box - SACB-4/ 4-L-C SCO P - 1452806

Technical data

Master cable data/connection data

Connection method	Pluggable screw connection
Conductor cross section min. (signal)	0.14 mm ²
Conductor cross section max. (signal)	1.5 mm ²
Conductor cross section AWG min. (signal)	26
Conductor cross section AWG max. (signal)	16
Stripping length (signal)	7 mm
Conductor cross section min. (energy)	0.14 mm ²
Conductor cross section max. (energy)	1.5 mm ²
Conductor cross section AWG min. (energy)	26
Conductor cross section AWG max. (energy)	16
External cable diameter min.	7 mm
External cable diameter max.	12 mm
Stripping length	50 mm (Master cable)
Tightening torque, cover screw	1 Nm
Tightening torque, union nut	2.5 Nm
Tightening torque slot sensor/actuator cable	0.4 Nm
Tightening torque screw plug	0.4 Nm

Insulation material

Housing material	PBT
Material of the moulding mass	PUR
Contact material	Cu alloy
Contact surface material	Gold-plated
Contact carrier material	PA
Material of contact, master cable side	CU alloy
Material of contact surface, master cable side	Sn
Material of the contact carrier on the master cable side	PA
Material of threaded sleeve	PBT
Material, O-ring	NBR
Sealing material	NBR (Connector hood)

Pin assignment

Slot/position = Wire color or connection	1 / 4 (A) = WH
Slot/position = Wire color or connection	2 / 4 (A) = GN
Slot/position = Wire color or connection	3 / 4 (A) = YE
Slot/position = Wire color or connection	4 / 4 (A) = GY
Slot/position = Wire color or connection	1-4 / 1 (+ 24 V) = BN
Slot/position = Wire color or connection	1-4 / 3 (0 V) = BU
Slot/position = Wire color or connection	1-4 / 5 (PE) = GN/YE

classifications

eCl@ss

Sensor/actuator box - SACB-4/ 4-L-C SCO P - 1452806

classifications

eCl@ss

eCl@ss 4.0	27140815
eCl@ss 4.1	27140815
eCl@ss 5.0	27143423
eCl@ss 5.1	27143423
eCl@ss 6.0	27279219
eCl@ss 7.0	27279219
eCl@ss 8.0	27279219

ETIM

ETIM 4.0	EC002585
ETIM 5.0	EC002585


UNSPSC


UNSPSC 6.01	31261501
UNSPSC 7.0901	31261501
UNSPSC 11	31261501
UNSPSC 12.01	31261501
UNSPSC 13.2	31261501

approvals

UL Recognized / cUL Recognized / GOST / cULus Recognized /

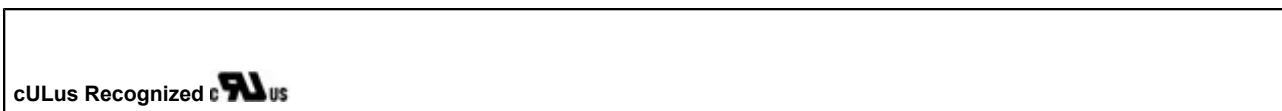
Approval details

UL Recognized 	
Nominal voltage UN	24 V
Nominal current IN	
mm ² /AWG/kcmil	

cUL Recognized 	
Nominal voltage UN	24 V
Nominal current IN	
mm ² /AWG/kcmil	

Sensor/actuator box - SACB-4/ 4-L-C SCO P - 1452806

approvals



accessories

Protective cap

PROT-MS SCO - 1553129



Device marking

SS-ZB 17,5 WH - 0804963



SS-ZB 17,5 YE - 0804976



Labeled device marker

SS-ZB 17,5 WH CUS - 0824468



Sensor/actuator box - SACB-4/ 4-L-C SCO P - 1452806

accessories

SS-ZB 17,5 YE CUS - 0824469



Torque tool

TSD 04 SAC - 1208429



TSD-M 1,2NM - 1212224



TSD 25 SAC - 1212315



TSD-M 3NM - 1212225



Screwdriver tools

Sensor/actuator box - SACB-4/ 4-L-C SCO P - 1452806

accessories

SACC BIT M12-D20 - 1208445



SZK PZ2 VDE - 1206463



SAC BIT HOOD-W 24 - 1212486



TSD-M SAC-BIT ADAPTER - 1212600



Cable by the meter

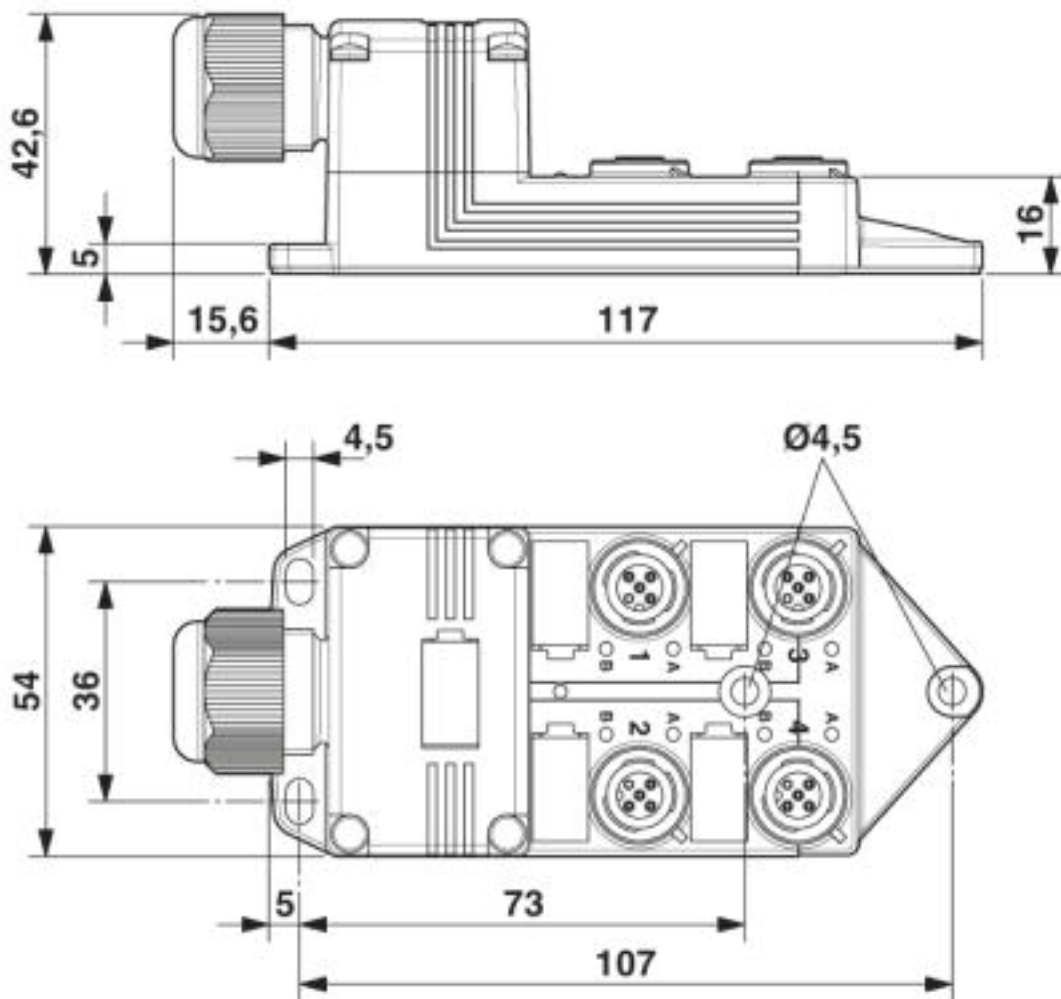
SACB- 4X0,34/ 3X0,75-50,0 PUR - 1503328



Drawings

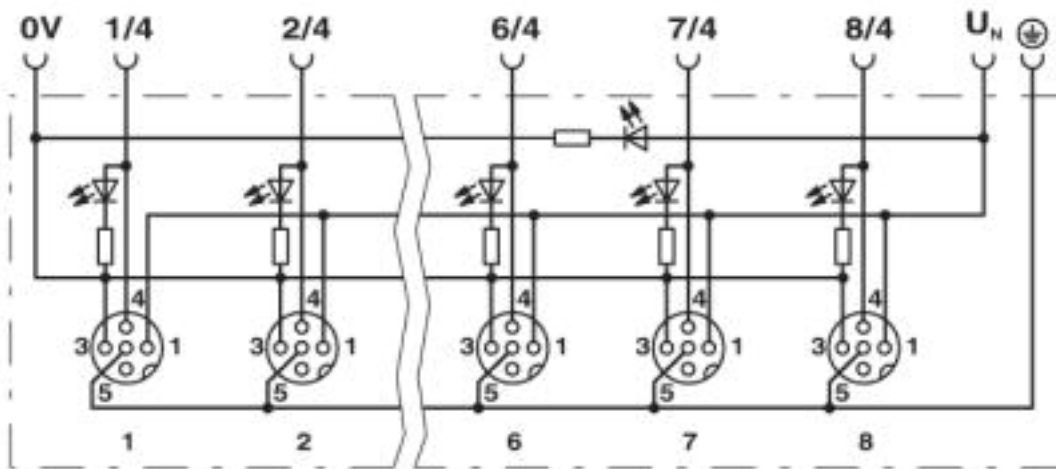
Sensor/actuator box - SACB-4/ 4-L-C SCO P - 1452806

Dimensioned drawing



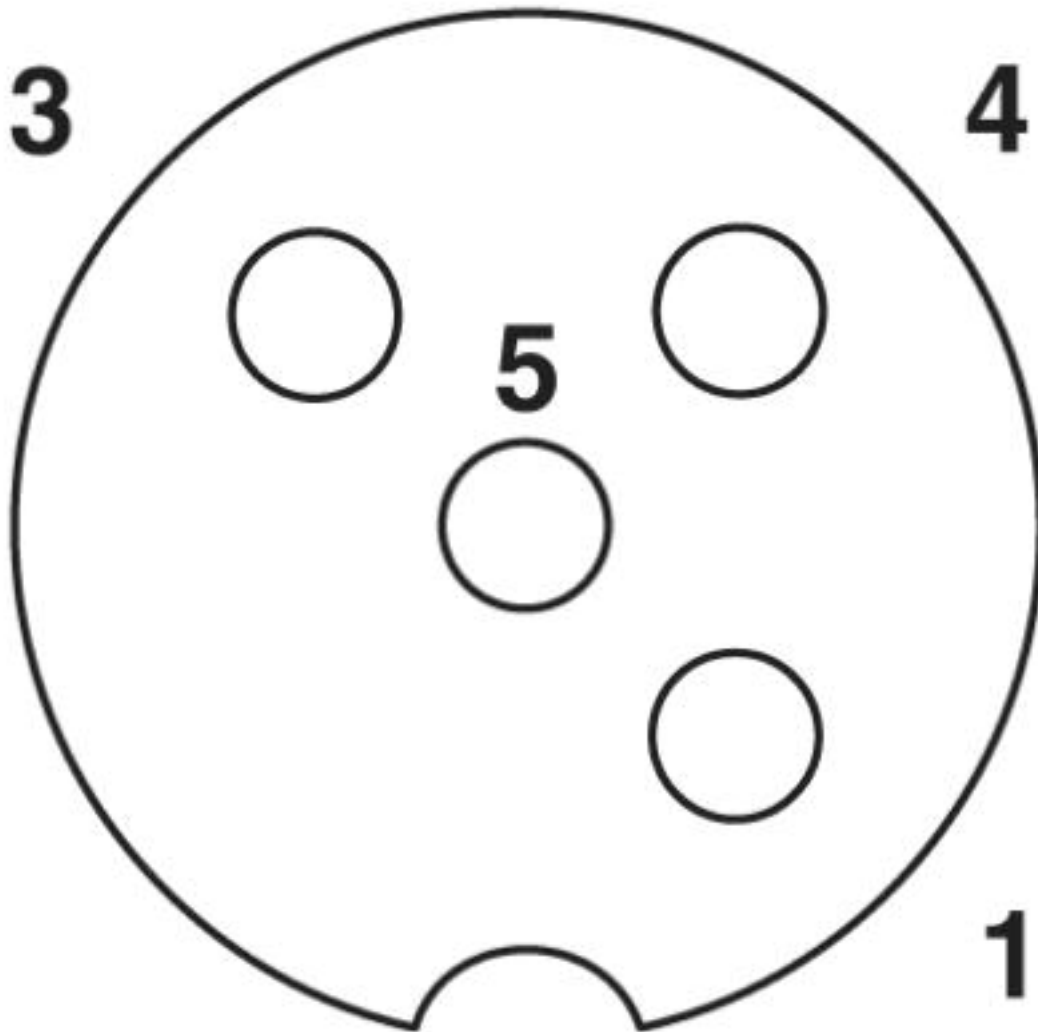
Sensor/actuator box - SACB-4/ 4-L-C SCO P - 1452806

Circuit diagram



Sensor/actuator box - SACB-4/ 4-L-C SCO P - 1452806

Schematic diagram



M12 slot, socket, 4-pos.

© Phoenix Contact 2013 - all rights reserved
<http://www.phoenixcontact.com>