

Contact insert - HC-DD108-I-CT-M-216 - 1584127

Please be informed that the data shown in this PDF Document is generated from our Online Catalog. Please find the complete data in the user's documentation. Our General Terms of Use for Downloads are valid (<http://download.phoenixcontact.com>)



HEAVYCON male insert, DD108 series, 108-pos., 109 ... 216 color print, crimp connection. PE connection using tension sleeve technology.

Key commercial data

package_quantity	10
GTIN	4046356133432

Technical data

General

Note	For HEAVYCON ADVANCE and HEAVYCON housing of B24 type, crimp contacts CK 1,6-ED (crimp contacts not included in the scope of supply). Plug-in connections may only be operated only when there is no load/voltage.
Connection method	Crimp connection
Pollution degree	3
Surge voltage category	III
Constructional and testing regulations	DIN VDE 0627/86
Constructional and testing regulations	DIN VDE 0110/02.79
Constructional and testing regulations	DIN VDE 0110-1/04.97
Constructional and testing regulations	IEC 60664-1, DIN IEC 60512
Constructional and testing regulations	IEC 60352
Number of positions	108+PE
Insertion/withdrawal cycles	≥ 500
Design	B24
Connection in acc. with standard	IEC / EN
Conductor cross section	0.14 mm ² ... 2.5 mm ²
Connection cross section AWG	26 ... 14
Stripping length of the individual wire	8 mm (6 mm (2.5 mm ²))
Stripping length of the individual wire	6 mm (2.5 mm ²)
Assembly instructions	-Housing heights with h ≥ 72 mm are recommended in the case of a large number of wires.-Use of HC-CST (1676857) coding pins and HC-CBU (1676860) coding sockets has been prescribed.
Connection	Connectors may be plugged in only when there is no load/voltage.

Ambient conditions

Ambient temperature (operation)	-40 °C ... 125 °C (including heating up of contacts)
---------------------------------	------------------------------------------------------

Contact insert - HC-DD108-I-CT-M-216 - 1584127

Technical data

Material data

Inflammability class according to UL 94	V0
Contact material	Copper alloy
Contact surface material	Ag (alternatively Au)
Contact carrier material	PA

Electrical characteristics

Rated voltage (III/3)	250 V
Rated surge voltage	4 kV
Rated current	10 A

classifications

eCl@ss

eCl@ss 4.0	272607xx
eCl@ss 4.1	27260701
eCl@ss 5.0	27143424
eCl@ss 5.1	27143424
eCl@ss 6.0	27143424
eCl@ss 7.0	27440209
eCl@ss 8.0	27440209

ETIM

ETIM 3.0	EC000438
ETIM 4.0	EC000437
ETIM 5.0	EC000437

UNSPSC

UNSPSC 6.01	30211923
UNSPSC 7.0901	39121522
UNSPSC 11	39121522
UNSPSC 12.01	39121522
UNSPSC 13.2	39121522

approvals

CSA / UL Recognized / cUL Recognized / cULus Recognized /

Approval details



Contact insert - HC-DD108-I-CT-M-216 - 1584127

approvals

Nominal voltage UN	250 V
Nominal current IN	7 A
mm ² /AWG/kcmil	26-14

UL Recognized	
Nominal voltage UN	250 V
Nominal current IN	10 A
mm ² /AWG/kcmil	14

cUL Recognized	
Nominal voltage UN	250 V
Nominal current IN	7 A
mm ² /AWG/kcmil	14

cULus Recognized	
-------------------------	--

accessories

Mounting material

HC-B-PES - 1604997



HC-B-3PE - 1644326



Contact insert - HC-DD108-I-CT-M-216 - 1584127

accessories

HC-B-ZG - 1685327



HC-B-ZS - 1685330



Coding element

CP-HC - 1686478



HC-CBU - 1676860



HC-CB - 1772722



Contact insert - HC-DD108-I-CT-M-216 - 1584127

accessories

HC-CST - 1676857



Plug assembly frame

HC-SMR-B24 - 1687985



Plug mounting plate

HC-SMP 150-B24-AMQ - 1660944



Docking frame

HC-B 24-ANDOCK - 1586141



Assembly tool

VC-EW 1,6 - 1884869



Contact insert - HC-DD108-I-CT-M-216 - 1584127

accessories

Crimping tool

CRIMPFOX-1,6/2,5-ED-4,0 - 1687419



Crimp contact

CK1,6-ED-0,37ST AG - 1663336



CK1,6-ED-0,50ST AG - 1663349



CK1,6-ED-0,75ST AG - 1663352



CK1,6-ED-1,00ST AG - 1663365



Contact insert - HC-DD108-I-CT-M-216 - 1584127

accessories

CK1,6-ED-1,50ST AG - 1663378



CK1,6-ED-2,50ST AG - 1663381



CK1,6-ED-0,37ST AU - 1674901



CK1,6-ED-0,50ST AU - 1672453



CK1,6-ED-0,75ST AU - 1674914



CK1,6-ED-1,00ST AU - 1674888



Contact insert - HC-DD108-I-CT-M-216 - 1584127

accessories

CK1,6-ED-1,50ST AU - 1674875

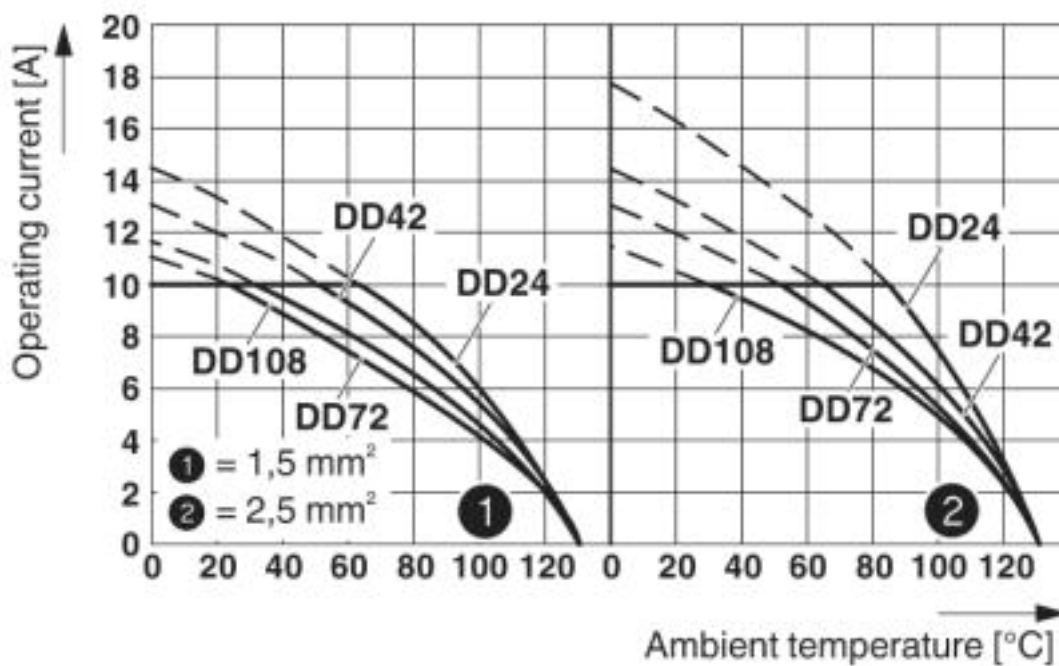


CK1,6-ED-2,50ST AU - 1674927



Drawings

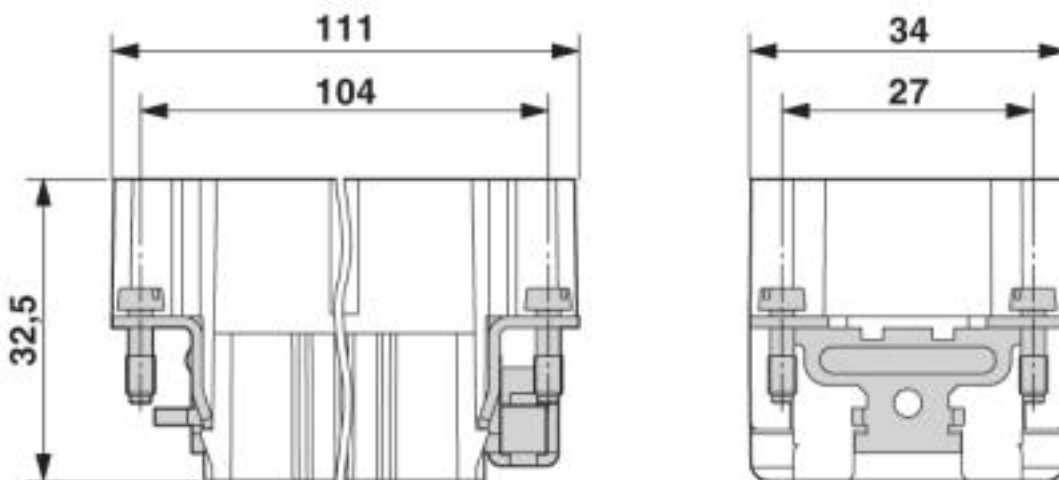
Diagram



Derating diagram

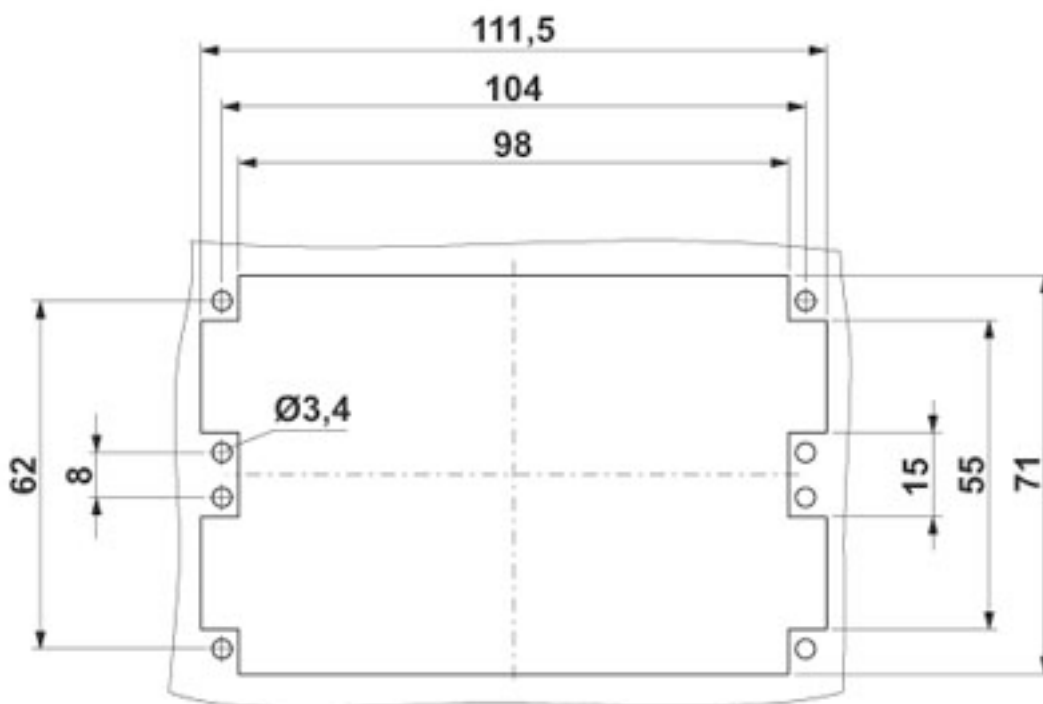
Contact insert - HC-DD108-I-CT-M-216 - 1584127

Dimensioned drawing



Male insert

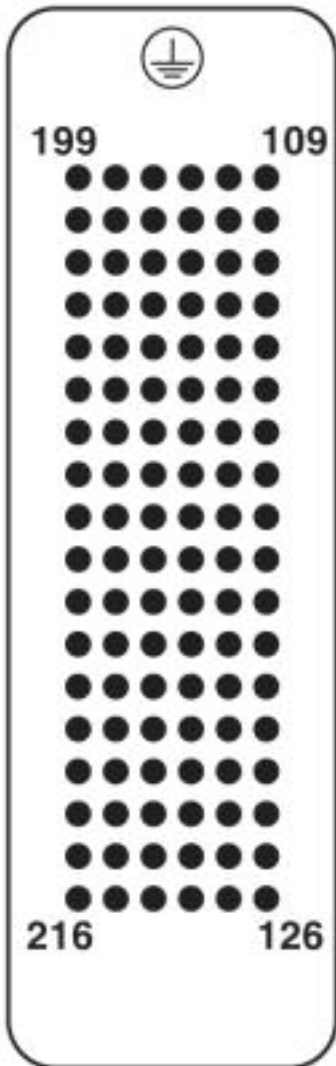
Dimensioned drawing



Panel cutout

Contact insert - HC-DD108-I-CT-M-216 - 1584127

Schematic diagram



Connector pin assignment, connection side

© Phoenix Contact 2013 - all rights reserved
<http://www.phoenixcontact.com>