

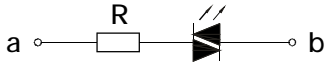
LAS1-AGQ Series

Part-number Description >>

LAS1	—	★	—	□	■	◇	/	◆●	/	△	/	▲
Code of Series	Code name AGQ AGQ30	Contact structure 11 1NO1NC 22 2NO2NC	Operation mode Z Latching type X Selector type Y Key-lock type M Buzzer SM Flash buzzer No letter means momentary	Lamp type D Dot E Ring	◆ Operation position of selector and key-lock type: 2 Two position 3 Three position ● Operation type of selector and key-lock switch: 1 Maintain 3 Return	Lamp color R Red G Green Y Yellow O Orange B Blue W White	Lamp and buzzer's voltage AC/DC 6V AC/DC 12V AC/DC 24V AC/DC 110V AC/DC 220V Note: Other voltage can be made to order					

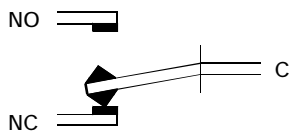
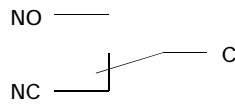
Note: Pls read the catalog carefully, and choose the right part-number according to the sign.

Lamp Ratings >>

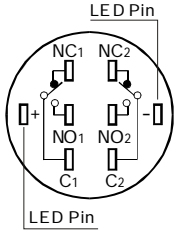
Lamp Type	LED lamp(AC/DC)			Lamp Circuit Diagram	 <p>Using AC/DC LED lamp, the terminals have no difference of anode and cathode: Using inner resistance, do not need connect outer resistance.</p>
Rated Voltage	AC/DC6V	AC/DC12V	AC/DC110V		
	AC/DC24V	AC/DC36V	AC/DC220V		
Rated Current	About 15mA		About 3mA		
LED Color	R G Y O B W				
Life	40000 hours(Reference)				

Note: DC LED and other voltage can be made to order.

Switching Operation >>

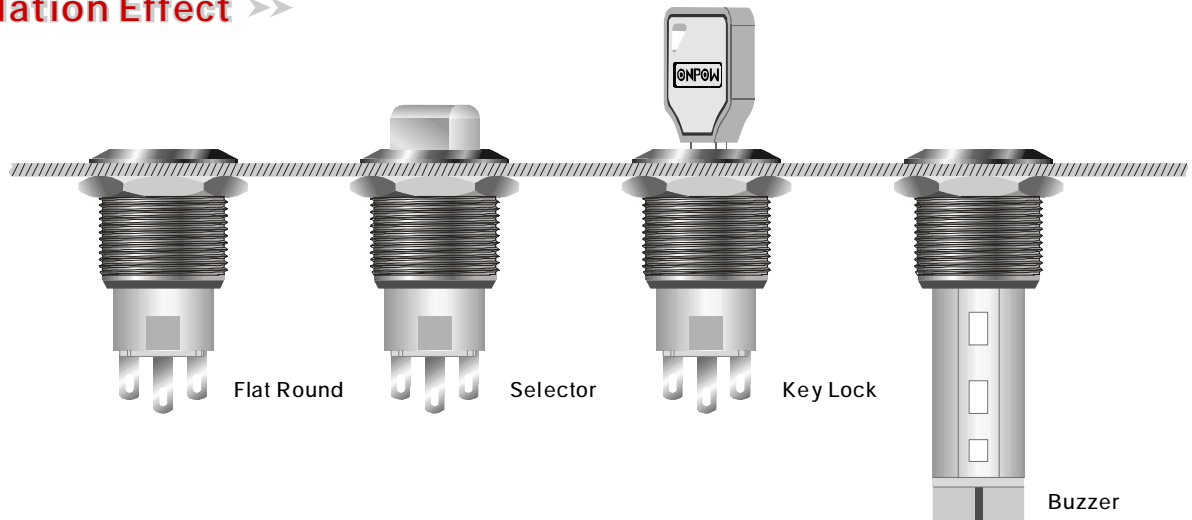
Type	C
Diagram	
Sign	
Explanation	Using three terminals, single-break and fast-motion changeover contact.

Terminal Description >>



- Can use at most two sets.
- C1,NO1,NC1 and C2,NO2,NC2 are one set respectively;
- C is common used, NO is normal opened, NC is normal closed;
- +, - are lamp terminals, the standard LED have no difference of anode and cathode.
- The lamp and switch are relatively independent and can use switch or peripheral circuit to control the lamp state.

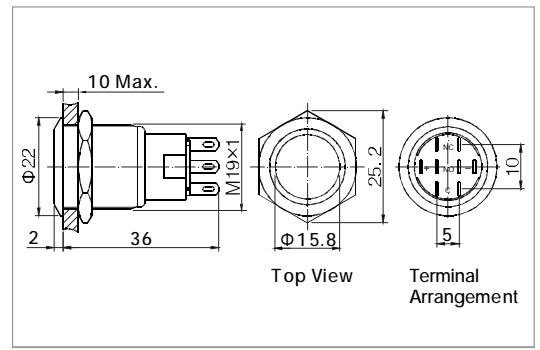
Installation Effect >>



Metal push button



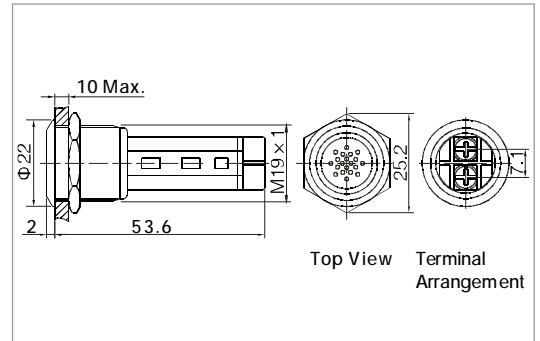
- ⊙ Φ 19mm Diameter
- ⊙ Switch Rating: 5A/250VAC
- ⊙ Contact Configuration:
1NO1NC/2NO2NC
- ⊙ Operation Type: Momentary/Latching
- ⊙ The Crust Material: Stainless Steel,
Black Aluminum anodize
- ⊙ IP Degree: Ip67, IK09



Metal buzzer



- ⊙ Φ 19mm Diameter
- ⊙ Rated Voltage: DC12V / DC24V
AC110V / AC230V
- ⊙ Buzzer/Flicker: Buzzer
- ⊙ Rated Sound Pressure: 80dB(1m)
& Frequency: 2300 ± 300Hz
- ⊙ The Crust Material: Stainless Steel
Black Aluminum anodize
- ⊙ IP Degree: IP40, IK04
Rated Operating Current: ≤28 mA

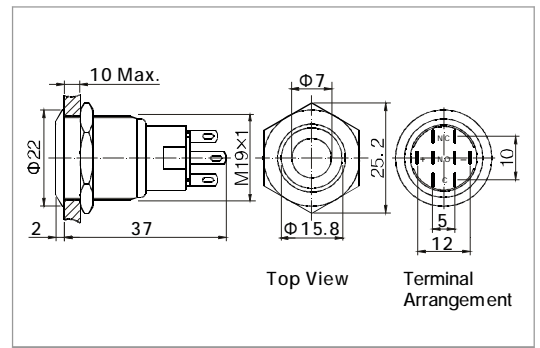


Specification	LAS1-AGQ-□■	LAS1-AGQ-■/▲	
The Front Shape	Flat Round	Flat Round Honeycomb	
Terminal Type	Pin Terminal(2.8×0.5mm)	Screw Terminal	
Switching	C(single-break fast-motion changeover contact)	---	
Max. Switch Rating	Ith:5A Ui:250VAC	---	
Contact Resistance	≤50mΩ	---	
Insulation Resistance	≥1000MΩ	---	
Dielectric Intensity	2000VAC	2000VAC	
Operating Temp	-20°C ~ +55°C	-20°C ~ +55°C	
Mechanical Life	1,000,000 cycles	---	
Electrical Life	50,000 cycles	---	
Panel Thickness	1 ~ 10mm	1 ~ 10mm	
Torque	5 ~ 14Nm	5 ~ 14Nm	
Operation Pressure	3~5N	---	
Operation Travel	About 3.1mm	---	
IP Degree	IP67,IK09	IP40,IK04	
Material	Contact	Silver Alloy	---
	Head	Stainless Steel, Black Aluminum anodize	Stainless Steel
	Body	Stainless Steel, Black Aluminum anodize	Stainless Steel, Black Aluminum anodize
	Base	PBT	PA
	RoHS	Made to order	Made to order
	Type	---	Buzzer / Flicker Buzzer
Buzzer	Rated Voltage	---	DC12V/DC24V/AC110V/AC230V
Spec.	Color	---	R G Y O B W
	Sound Intensity	---	≥80dB (1m)

Metal dot illuminated push button



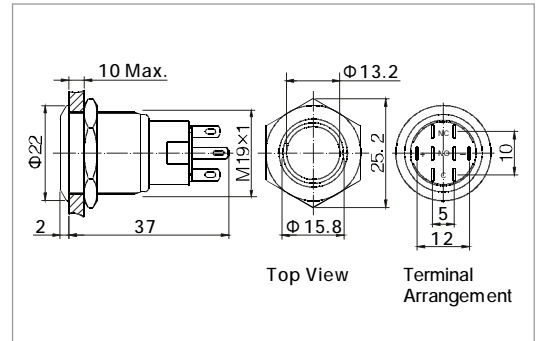
- ⊙ Φ 19mm Diameter
- ⊙ Switch Rating: 5A/250VAC
- ⊙ Contact Configuration: 1NO1NC/2NO2NC
- ⊙ Operation Type: Momentary/Latching
- ⊙ The Crust Material: Stainless Steel
Black Aluminum anodize
- ⊙ Dot Illuminated
- ⊙ IP Degree: IP67, IK09



Metal ring illuminated push button



- ⊙ Φ 19mm Diameter
- ⊙ Switch Rating: 5A/250VAC
- ⊙ Contact Configuration: 1NO1NC/2NO2NC
- ⊙ Operation Type: Momentary/Latching
- ⊙ The Crust Material: Stainless Steel
Black Aluminum anodize
- ⊙ Ring Illuminated
- ⊙ IP Degree: IP67, IK08

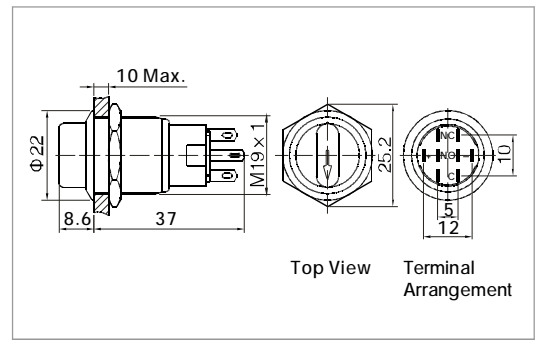


Specification	LAS1-AGQ-□■D/△/▲	LAS1-AGQ-□■E/△/▲	
The Front Shape	Flat Round	Flat Round	
Terminal Type	Pin Terminal(2.8×0.5mm)	Pin Terminal(2.8×0.5mm)	
Switching	C(single-break fast-motion changeover contact)	C(single-break fast-motion changeover contact)	
Max. Switch Rating	Ith:5A Ui:250VAC	Ith:5A Ui:250VAC	
Contact Resistance	≤ 50mΩ	≤ 50mΩ	
Insulation Resistance	≥ 1000MΩ	≥ 1000MΩ	
Dielectric Intensity	2000VAC	2000VAC	
Operating Temp	-20°C ~ +55°C	-20°C ~ +55°C	
Mechanical Life	1,000,000 cycles	1,000,000 cycles	
Electrical Life	50,000 cycles	50,000 cycles	
Panel Thickness	1 ~ 10mm	1 ~ 10mm	
Torque	5 ~ 14Nm	5 ~ 14Nm	
Operation Pressure	3~5N	3~5N	
Operation Travel	About 3.1mm	About 3.1mm	
IP Degree	IP67,IK09	IP67,IK08	
Material	Contact	Silver Alloy	Silver Alloy
	Button	Stainless Steel,Black Aluminum anodize	Stainless Steel,Black Aluminum anodize
	Body	Stainless Steel,Black Aluminum anodize	Stainless Steel,Black Aluminum anodize
	Base	PBT	PBT
	RoHS	Made to order	Made to order
LED	Type	Dot Illuminated(LED)	Ring Illuminated(LED)
	Rated Voltage	6V / 12V / 24V / 110V / 230V	6V / 12V / 24V / 110V / 230V
Spec.	Color	R G Y O B W	R G Y O B W
	Life	40000 hours	40000 hours

Metal (illuminated) selector switch



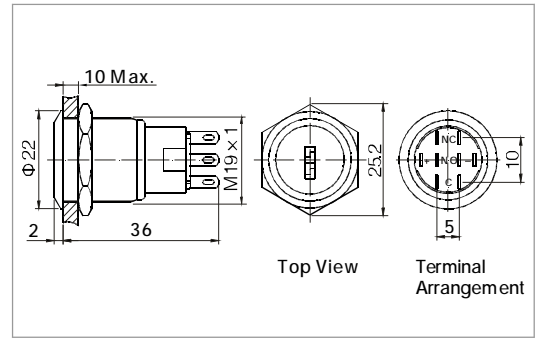
- ⊙ Φ19mm Diameter
- ⊙ Switch Rating: 5A/250VAC
- ⊙ Contact Configuration: 1NO1NC/2NO2NC
- ⊙ Operation Position: Two Position/ Three Position
- ⊙ Operation Type: Maintain/Return
- ⊙ The Crust Material: Stainless Steel
- ⊙ Arrowhead Illuminated
- ⊙ IP Degree: IP65,IP67,IK02



Metal key lock switch



- ⊙ Φ19mm Diameter
- ⊙ Switch Rating: 5A/250VAC
- ⊙ Contact Configuration: 1NO1NC / 2NO2NC
- ⊙ Two Position Maintain/ Two Position Return
- ⊙ Three Position Maintain
- ⊙ The Crust Material: Stainless Steel
- ⊙ IP Degree: IP65,IK02



Specification	LAS1-AGQ-□X/◆●/△/▲	LAS1-AGQ-□Y/◆●
The Front Shape	Selector	Key Lock
Terminal Type	Pin Terminal(2.8×0.5mm)	Pin Terminal(2.8×0.5mm)
Switching	C(single-break fast-motion changeover contact)	C(single-break fast-motion changeover contact)
Max. Switch Rating	Ith:5A Ui:250VAC	Ith:5A Ui:250VAC
Contact Resistance	≤50mΩ	≤50mΩ
Insulation Resistance	≥1000MΩ	≥1000MΩ
Dielectric Intensity	2000VAC	2000VAC
Operating Temp	-20℃ ~ +55℃	-20℃ ~ +55℃
Mechanical Life	500,000 cycles	500,000 cycles
Electrical Life	50,000 cycles	50,000 cycles
Panel Thickness	1 ~ 10mm	1 ~ 10mm
Torque	5 ~ 14Nm	5 ~ 14Nm
IP Degree	IP67,IK02	IP65,IK02
Material	Contact	Silver Alloy
	Button	Stainless Steel
	Body	Stainless Steel
	Base	PBT
	RoHS	Made to order
LED Spec.	Type	Arrowhead(LED)
	Rated Voltage	6V / 12V / 24V / 110V / 220V
	Color	R G Y O B W
	Life	40000 hours

LAS1-AGQ State chart in operation	Position	Contact	Left	Center	Right	
	90° Two position	1NO1NC				
		2NO2NC				
	45° Three position	2NO2NC				