

Housing - HC-B 24-TMB-100/O1STM32G-EEE - 1460373

Please be informed that the data shown in this PDF Document is generated from our Online Catalog. Please find the complete data in the user's documentation. Our General Terms of Use for Downloads are valid (<http://download.phoenixcontact.com>)



HEAVYCON ADVANCE B24 sleeve housing, with bayonet locking (Allen screw), salt water resistant aluminum, height: 100 mm, with 1 x M32 thread, straight cable outlet, without surface; conductive seal (EMC properties)



Key commercial data

package_quantity	10
GTIN	4046356592727

Technical data

Dimensions

Height	100 mm
--------	--------

Ambient conditions

Degree of protection for housing	IP65
Degree of protection for housing	IP67
Ambient temperature (operation)	-40 °C ... 125 °C

General

Note	For contact inserts HC-B24, BB46, D64, DD108, HV10/16, M
Design	B24
Housing type	Sleeve housings
Locking type	Bayonet locking
Fixing screws	M6
No. of cable exits	1
Cable exit	Straight
Screw connection	None
Type of the screw connection	1x M32
Housing material	Die-cast aluminum, salt water resistant
Housing surface material	Uncoated
Seal material	NBR, conductive
Material lock	High-grade steel

Housing - HC-B 24-TMB-100/O1STM32G-EEE - 1460373

Technical data

General

Connection	If insulating powder coating is present on the control cabinet panel, it should be removed from the profile gasket area in order to ensure optimum shielding.
-------------------	---------------------------------------------------------------------------------------------------------------------------------------------------------------

classifications

eCl@ss

eCl@ss 4.0	272607xx
eCl@ss 4.1	27260701
eCl@ss 5.0	27143424
eCl@ss 5.1	27143424
eCl@ss 6.0	27143424
eCl@ss 7.0	27440209
eCl@ss 8.0	27440209

ETIM

ETIM 4.0	EC000437
ETIM 5.0	EC000437

UNSPSC

UNSPSC 6.01	31261502
UNSPSC 7.0901	31261502
UNSPSC 11	31261502
UNSPSC 12.01	31261502
UNSPSC 13.2	31261502

accessories

Panel mounting flange

HC-B-BF - 1604641



HC-B-BF-SET - 1604654



Housing - HC-B 24-TMB-100/O1STM32G-EEE - 1460373

accessories

Protective cover

HC-B 24-TMB-SD-IP65 - 1690969



Screwdriver tools

SF-BIT-HEXB 5-89 - 1208911



SF-M BH - 1212070



Full screw connection

HC-K-KV-M32(15-21) - 1690642



HC-M-KV-M32(14-21) - 1690587



Housing - HC-B 24-TMB-100/O1STM32G-EEE - 1460373

accessories

HC-M-KV-M32(19-27) - 1646010

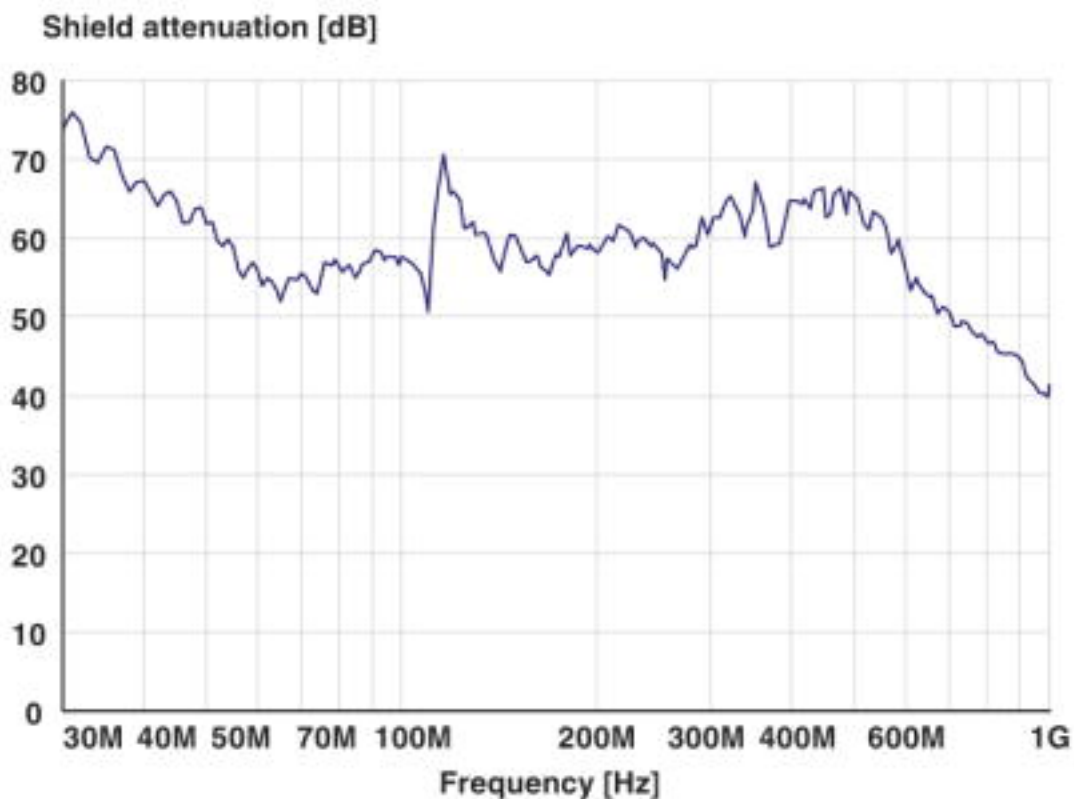


HC-EMV-KV-M32(11-21) - 1690529



Drawings

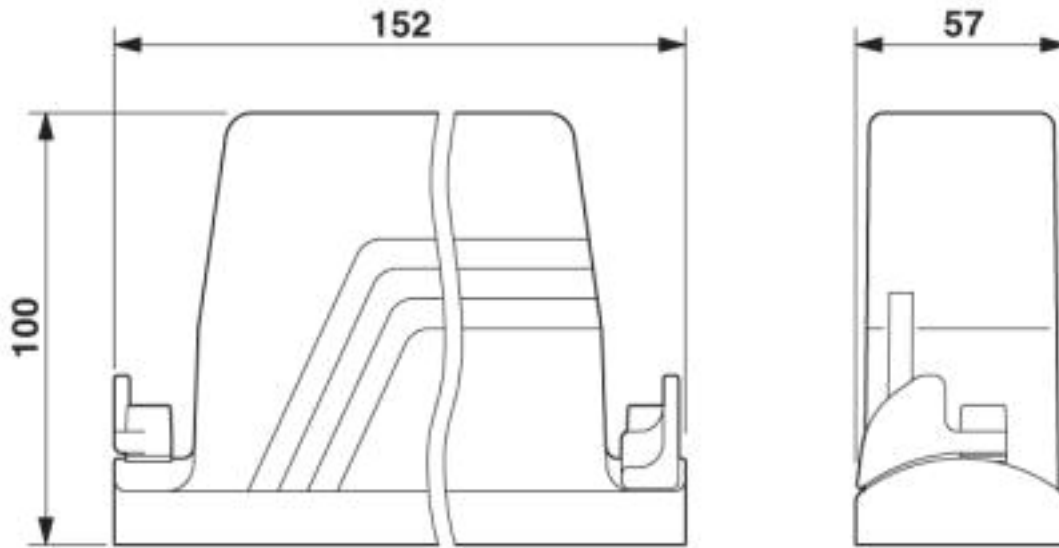
Diagram



Shield attenuation

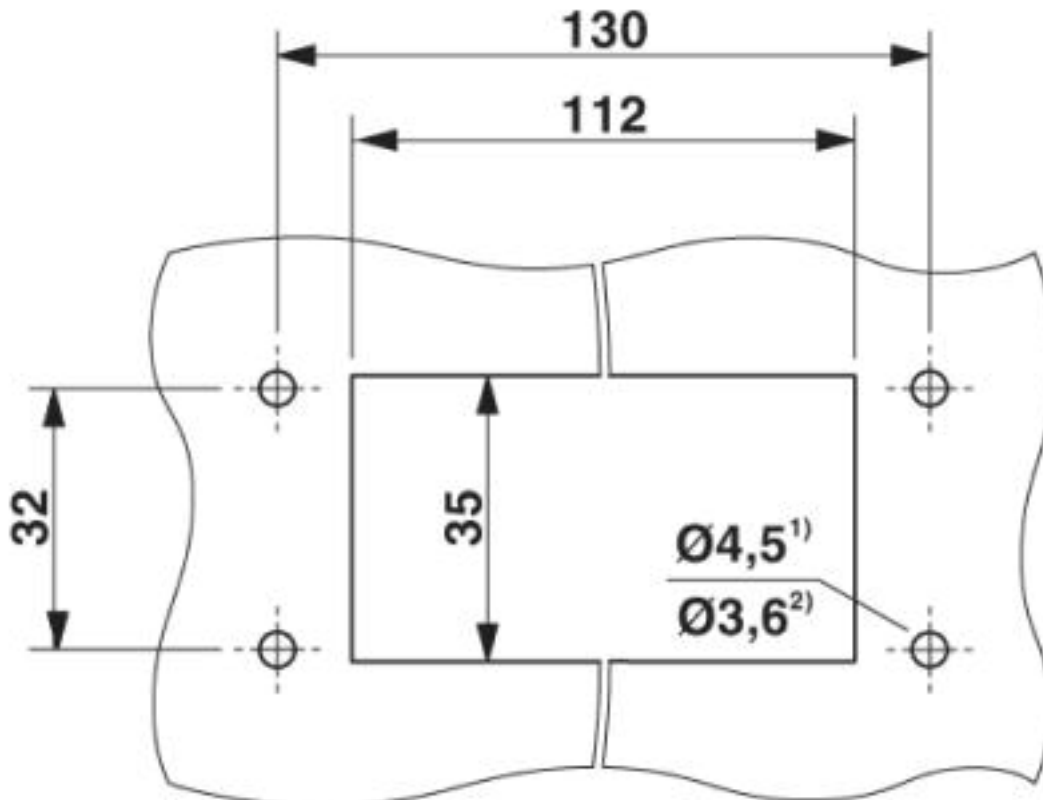
Housing - HC-B 24-TMB-100/O1STM32G-EEE - 1460373

Dimensioned drawing



Dimensional drawing

Dimensioned drawing



Panel cutout²⁾ When self-tapping screws are used (Torx® 20, M4)

