



LAS1-AGQ Series

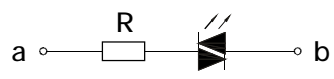
## Part-number Description >>

| LAS1 - ★ - □ ■ ◇ / ◆● / △ / ▲ |                           |                                             |                                                                                                                                     |                              |                                                                                                                                                                              |                                                                             |                                                                                                                                                    |
|-------------------------------|---------------------------|---------------------------------------------|-------------------------------------------------------------------------------------------------------------------------------------|------------------------------|------------------------------------------------------------------------------------------------------------------------------------------------------------------------------|-----------------------------------------------------------------------------|----------------------------------------------------------------------------------------------------------------------------------------------------|
| Code of Series                | Code name<br>AGQ<br>AGQ30 | Contact structure<br>11 1NO1NC<br>22 2NO2NC | Operation mode<br>Z Latching type<br>X Selector type<br>Y Key-lock type<br>M Buzzer<br>SM Flash buzzer<br>No letter means momentary | Lamp type<br>D Dot<br>E Ring | ◆ Operation position of selector and key-lock type:<br>2 Two position<br>3 Three position<br><br>● Operation type of selector and key-lock switch:<br>1 Maintain<br>3 Return | Lamp color<br>R Red<br>G Green<br>Y Yellow<br>O Orange<br>B Blue<br>W White | Lamp and buzzer's voltage<br>AC/DC 6V<br>AC/DC 12V<br>AC/DC 24V<br>AC/DC 110V<br>AC/DC 220V<br><br><b>Note: Other voltage can be made to order</b> |

**Note:** Pls read the catalog carefully ,and choose the right part-number according to the sign.

## Lamp Ratings >>

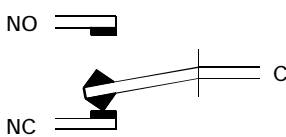
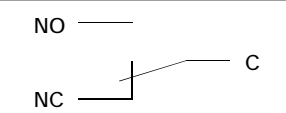
| Lamp Type     | LED lamp(AC/DC)                                                                                                                                                                                                  |          |           | Lamp<br>Circuit<br>Diagram |
|---------------|------------------------------------------------------------------------------------------------------------------------------------------------------------------------------------------------------------------|----------|-----------|----------------------------|
| Rated Voltage | AC/DC6V                                                                                                                                                                                                          | AC/DC12V | AC/DC110V |                            |
|               | AC/DC24V                                                                                                                                                                                                         | AC/DC36V | AC/DC220V |                            |
| Rated Current | About 15mA                                                                                                                                                                                                       |          | About 3mA |                            |
| LED Color     | <span style="color:red">R</span> <span style="color:green">G</span> <span style="color:yellow">Y</span> <span style="color:orange">O</span> <span style="color:blue">B</span> <span style="color:white">W</span> |          |           |                            |
| Life          | 40000 hours(Reference)                                                                                                                                                                                           |          |           |                            |



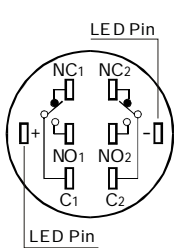
Using AC/DC LED lamp, the terminals have no difference of anode and cathode:  
Using inner resistance, do not need connect outer resistance.

**Note:** DC LED and other voltage can be made to order.

## Switching Operation >>

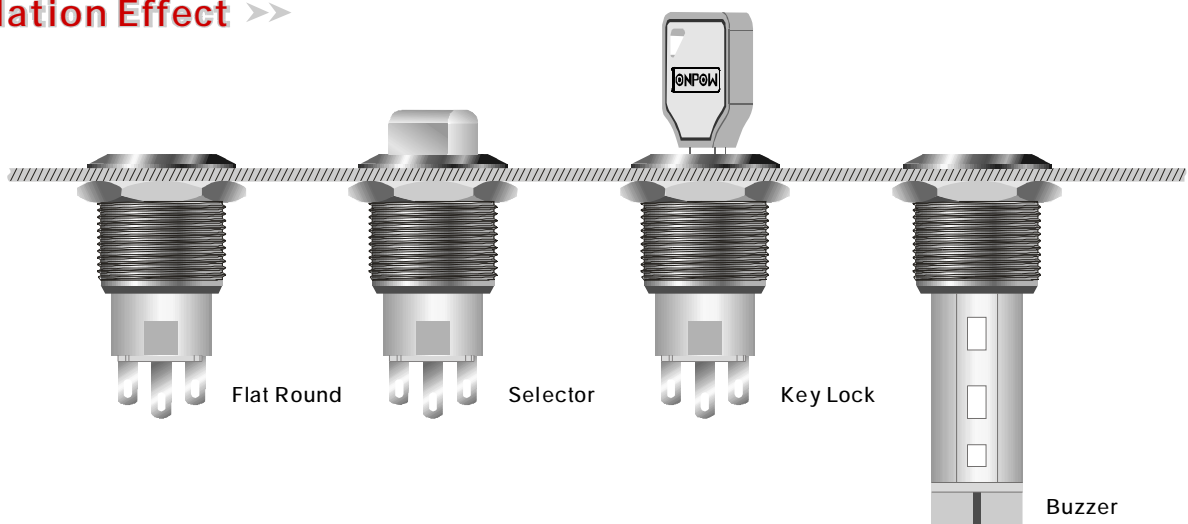
| Type        | C                                                                                   |
|-------------|-------------------------------------------------------------------------------------|
| Diagram     |  |
| Sign        |  |
| Explanation | Using three terminals, single-break and fast-motion changeover contact.             |

## Terminal Description >>



- Can use at most two sets.
- C1,NO1,NC1 and C2,NO2,NC2 are one set respectively;
- C is common used, NO is normal opened, NC is normal closed;
- +, -, are lamp terminals, the standard LED have no difference of anode and cathode.
- The lamp and switch are relatively independent and can use switch or peripheral circuit to control the lamp state.

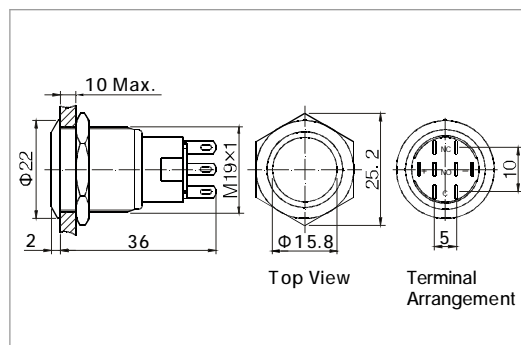
## Installation Effect >>



## Metal push button



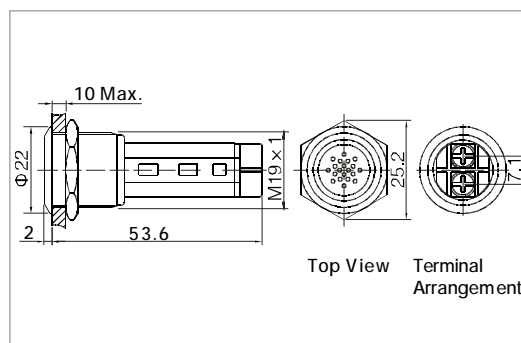
- ⊙  $\Phi$  19mm Diameter
- ⊙ Switch Rating: 5A/250VAC
- ⊙ Contact Configuration: 1NO1NC/2NO2NC
- ⊙ Operation Type: Momentary/Latching
- ⊙ The Crust Material: Stainless Steel, Black Aluminum anodize
- ⊙ IP Degree: Ip67, IK09



## Metal buzzer



- ⊙  $\Phi$  19mm Diameter
- ⊙ Rated Voltage: DC12V / DC24V AC1 10V / AC230V
- ⊙ Buzzer/Flicker: Buzzer
- ⊙ Rated Sound Pressure: 80dB(1m) & Frequency: 2300  $\pm$  300Hz
- ⊙ The Crust Material: Stainless Steel Black Aluminum anodize
- ⊙ IP Degree: IP40, IK04
- ⊙ Rated Operating Current:  $\leq$  28 mA



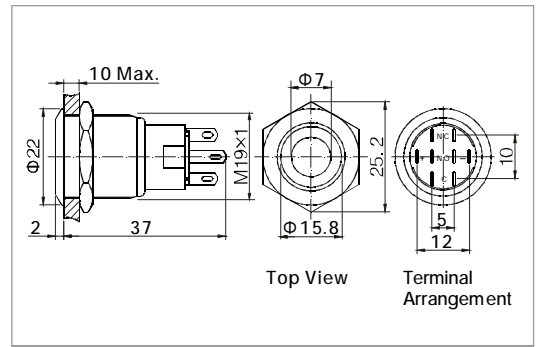
| Specification         | LAS1-AGQ-□■                                    | LAS1-AGQ-■/▲                            |
|-----------------------|------------------------------------------------|-----------------------------------------|
| The Front Shape       | Flat Round                                     | Flat Round Honeycomb                    |
| Terminal Type         | Pin Terminal(2.8×0.5mm)                        | Screw Terminal                          |
| Switching             | C(single-break fast-motion changeover contact) | ---                                     |
| Max. Switch Rating    | Ith:5A Ui:250VAC                               | ---                                     |
| Contact Resistance    | $\leq$ 50m $\Omega$                            | ---                                     |
| Insulation Resistance | $\geq$ 1000M $\Omega$                          | ---                                     |
| Dielectric Intensity  | 2000VAC                                        | 2000VAC                                 |
| Operating Temp        | -20 $^{\circ}$ C ~ +55 $^{\circ}$ C            | -20 $^{\circ}$ C ~ +55 $^{\circ}$ C     |
| Mechanical Life       | 1,000,000 cycles                               | ---                                     |
| Electrical Life       | 50,000 cycles                                  | ---                                     |
| Panel Thickness       | 1 ~ 10mm                                       | 1 ~ 10mm                                |
| Torque                | 5 ~ 14Nm                                       | 5 ~ 14Nm                                |
| Operation Pressure    | 3 ~ 5N                                         | ---                                     |
| Operation Travel      | About 3.1mm                                    | ---                                     |
| IP Degree             | IP67,IK09                                      | IP40,IK04                               |
| Material              | Contact                                        | Silver Alloy                            |
|                       | Head                                           | Stainless Steel, Black Aluminum anodize |
|                       | Body                                           | Stainless Steel, Black Aluminum anodize |
|                       | Base                                           | PBT                                     |
|                       | RoHS                                           | Made to order                           |
| Buzzer                | Type                                           | ---                                     |
|                       | Rated Voltage                                  | ---                                     |
| Spec.                 | Color                                          | ---                                     |
|                       | Sound Intensity                                | ---                                     |

Check the detailed part number from P24

Metal dot illuminated push button



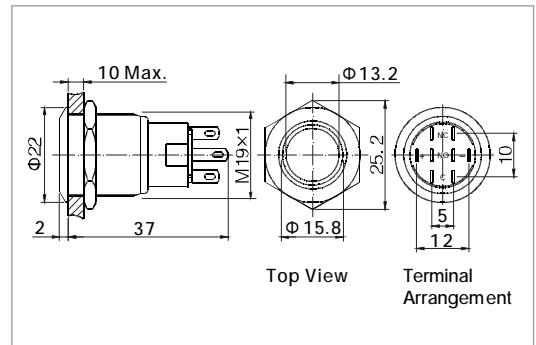
- ⊙ Φ 19mm Diameter
- ⊙ Switch Rating: 5A/250VAC
- ⊙ Contact Configuration: 1NO1NC/2NO2NC
- ⊙ Operation Type: Momentary/Latching
- ⊙ The Crust Material: Stainless Steel  
Black Aluminum anodize
- ⊙ Dot Illuminated
- ⊙ IP Degree: IP67, IK09



Metal ring illuminated push button



- ⊙ Φ 19mm Diameter
- ⊙ Switch Rating: 5A/250VAC
- ⊙ Contact Configuration: 1NO1NC/2NO2NC
- ⊙ Operation Type: Momentary/Latching
- ⊙ The Crust Material: Stainless Steel  
Black Aluminum anodize
- ⊙ Ring Illuminated
- ⊙ IP Degree: IP67, IK08

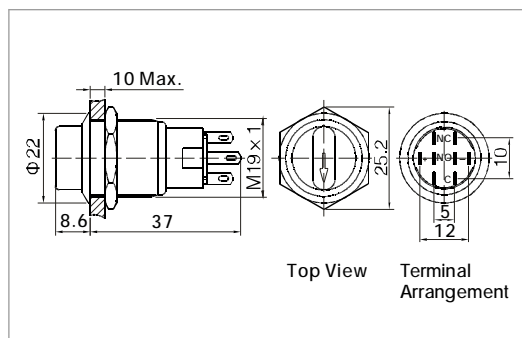


| Specification         | LAS1-AGQ-□■D/△/▲                               | LAS1-AGQ-□■E/△/▲                               |                                        |
|-----------------------|------------------------------------------------|------------------------------------------------|----------------------------------------|
| The Front Shape       | Flat Round                                     | Flat Round                                     |                                        |
| Terminal Type         | Pin Terminal(2.8×0.5mm)                        | Pin Terminal(2.8×0.5mm)                        |                                        |
| Switching             | C(single-break fast-motion changeover contact) | C(single-break fast-motion changeover contact) |                                        |
| Max. Switch Rating    | Ith:5A Ui:250VAC                               | Ith:5A Ui:250VAC                               |                                        |
| Contact Resistance    | ≤ 50mΩ                                         | ≤ 50mΩ                                         |                                        |
| Insulation Resistance | ≥ 1000MΩ                                       | ≥ 1000MΩ                                       |                                        |
| Dielectric Intensity  | 2000VAC                                        | 2000VAC                                        |                                        |
| Operating Temp        | -20℃ ~ +55℃                                    | -20℃ ~ +55℃                                    |                                        |
| Mechanical Life       | 1,000,000 cycles                               | 1,000,000 cycles                               |                                        |
| Electrical Life       | 50,000 cycles                                  | 50,000 cycles                                  |                                        |
| Panel Thickness       | 1 ~ 10mm                                       | 1 ~ 10mm                                       |                                        |
| Torque                | 5 ~ 14Nm                                       | 5 ~ 14Nm                                       |                                        |
| Operation Pressure    | 3 ~ 5N                                         | 3 ~ 5N                                         |                                        |
| Operation Travel      | About 3.1mm                                    | About 3.1mm                                    |                                        |
| IP Degree             | IP67,IK09                                      | IP67,IK08                                      |                                        |
| Material              | Contact                                        | Silver Alloy                                   | Silver Alloy                           |
|                       | Button                                         | Stainless Steel,Black Aluminum anodize         | Stainless Steel,Black Aluminum anodize |
|                       | Body                                           | Stainless Steel,Black Aluminum anodize         | Stainless Steel,Black Aluminum anodize |
|                       | Base                                           | PBT                                            | PBT                                    |
|                       | RoHS                                           | Made to order                                  | Made to order                          |
| LED                   | Type                                           | Dot Illuminated(LED)                           | Ring Illuminated(LED)                  |
|                       | Rated Voltage                                  | 6V / 12V / 24V / 110V / 230V                   | 6V / 12V / 24V / 110V / 230V           |
| Spec.                 | Color                                          | R G Y O B W                                    | R G Y O B W                            |
|                       | Life                                           | 40000 hours                                    | 40000 hours                            |

## Metal (illuminated) selector switch



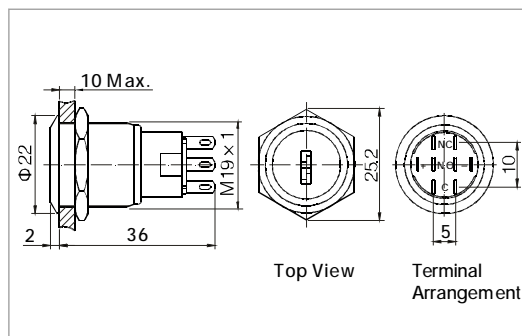
- $\Phi$  19mm Diameter
- Switch Rating: 5A/250VAC
- Contact Configuration: 1NO1NC/2NO2NC
- Operation Position: Two Position/ Three Position
- Operation Type: Maintain/Return
- The Crust Material: Stainless Steel
- Arrowhead Illuminated
- IP Degree: IP65,IP67,IK02



## Metal key lock switch



- $\Phi$  19mm Diameter
- Switch Rating: 5A/250VAC
- Contact Configuration: 1NO1NC / 2NO2NC
- Two Position Maintain/ Two Position Return
- Three Position Maintain
- The Crust Material: Stainless Steel
- IP Degree: IP65,IK02



| Specification                     |                  | LAS1-AGQ-□X/◆●/△/▲                                                                                                                                                                                                                          | LAS1-AGQ-□Y/◆●                                 |        |       |
|-----------------------------------|------------------|---------------------------------------------------------------------------------------------------------------------------------------------------------------------------------------------------------------------------------------------|------------------------------------------------|--------|-------|
| The Front Shape                   |                  | Selector                                                                                                                                                                                                                                    | Key Lock                                       |        |       |
| Terminal Type                     |                  | Pin Terminal(2.8×0.5mm)                                                                                                                                                                                                                     | Pin Terminal(2.8×0.5mm)                        |        |       |
| Switching                         |                  | C(single-break fast-motion changeover contact)                                                                                                                                                                                              | C(single-break fast-motion changeover contact) |        |       |
| Max. Switch Rating                |                  | Ith:5A Ui:250VAC                                                                                                                                                                                                                            | Ith:5A Ui:250VAC                               |        |       |
| Contact Resistance                |                  | ≤50mΩ                                                                                                                                                                                                                                       | ≤50mΩ                                          |        |       |
| Insulation Resistance             |                  | ≥1000MΩ                                                                                                                                                                                                                                     | ≥1000MΩ                                        |        |       |
| Dielectric Intensity              |                  | 2000VAC                                                                                                                                                                                                                                     | 2000VAC                                        |        |       |
| Operating Temp                    |                  | -20℃ ~ +55℃                                                                                                                                                                                                                                 | -20℃ ~ +55℃                                    |        |       |
| Mechanical Life                   |                  | 500,000 cycles                                                                                                                                                                                                                              | 500,000 cycles                                 |        |       |
| Electrical Life                   |                  | 50,000 cycles                                                                                                                                                                                                                               | 50,000 cycles                                  |        |       |
| Panel Thickness                   |                  | 1 ~ 10mm                                                                                                                                                                                                                                    | 1 ~ 10mm                                       |        |       |
| Torque                            |                  | 5 ~ 14Nm                                                                                                                                                                                                                                    | 5 ~ 14Nm                                       |        |       |
| IP Degree                         |                  | IP67,IK02                                                                                                                                                                                                                                   | IP65,IK02                                      |        |       |
| Material                          | Contact          | Silver Alloy                                                                                                                                                                                                                                | Silver Alloy                                   |        |       |
|                                   | Button           | Stainless Steel                                                                                                                                                                                                                             | Stainless Steel                                |        |       |
|                                   | Body             | Stainless Steel                                                                                                                                                                                                                             | Stainless Steel                                |        |       |
|                                   | Base             | PBT                                                                                                                                                                                                                                         | PBT                                            |        |       |
|                                   | RoHS             | Made to order                                                                                                                                                                                                                               | Made to order                                  |        |       |
| LED Spec.                         | Type             | Arrowhead(LED)                                                                                                                                                                                                                              | ---                                            |        |       |
|                                   | Rated Voltage    | 6V / 12V / 24V / 110V / 220V                                                                                                                                                                                                                | ---                                            |        |       |
|                                   | Color            | <span style="color:red">R</span> <span style="color:green">G</span> <span style="color:yellow">Y</span> <span style="color:orange">O</span> <span style="color:blue">B</span> <span style="border:1px solid black; padding:0 2px;">W</span> | ---                                            |        |       |
|                                   | Life             | 40000 hours                                                                                                                                                                                                                                 | ---                                            |        |       |
| LAS1-AGQ State chart in operation | Position         | Contact                                                                                                                                                                                                                                     | Left                                           | Center | Right |
|                                   | 90° Two position | 1NO1NC                                                                                                                                                                                                                                      |                                                |        |       |
|                                   |                  | 2NO2NC                                                                                                                                                                                                                                      |                                                |        |       |
| 45° Three position                | 2NO2NC           |                                                                                                                                                                                                                                             |                                                |        |       |