

# Contact insert - HC-B 10-I-UT-F - 1648186

Please be informed that the data shown in this PDF Document is generated from our Online Catalog. Please find the complete data in the user's documentation. Our General Terms of Use for Downloads are valid (<http://download.phoenixcontact.com>)



HEAVYCON female insert, B10 series, 10-pos., screw connection. PE connection using tension sleeve technology.

## Product Features

- For fast coding with plastic profile
- PE connection using tension sleeve technology

## Key commercial data

<b>package_quantity</b>	10
<b>GTIN</b>	4046356092319

## Technical data

### General

<b>Note</b>	For HEAVYCON ADVANCE and HEAVYCON housing of B10 type. Plug-in connections may only be operated only when there is no load/voltage.
<b>Connection method</b>	Screw connection
<b>Tightening torque</b>	0.5 Nm ... 0.8 Nm
<b>Pollution degree</b>	3
<b>Surge voltage category</b>	III
<b>Constructional and testing regulations</b>	DIN EN 61984
<b>Constructional and testing regulations</b>	DIN EN 60664
<b>Constructional and testing regulations</b>	IEC 60352
<b>Number of positions</b>	10+PE
<b>Insertion/withdrawal cycles</b>	≥ 500
<b>Design</b>	B10
<b>Connection in acc. with standard</b>	IEC / EN
<b>Conductor cross section</b>	0.5 mm <sup>2</sup> ... 2.5 mm <sup>2</sup>
<b>Connection cross section AWG</b>	20 ... 14
<b>Stripping length of the individual wire</b>	8 mm
<b>Assembly instructions</b>	Coding also using the CP-HC (1686478) coding profiles. HC-B6../HC-B10..for two coding profiles. HC-B16../HC-B24..for four coding profiles.
<b>Connection</b>	For housings of type B10. Connectors may only be actuated when there is no load/voltage.

### Ambient conditions

# Contact insert - HC-B 10-I-UT-F - 1648186

## Technical data

### Ambient conditions

<b>Ambient temperature (operation)</b>	-40 °C ... 125 °C (including heating up of contacts)
--	--

### Material data

<b>Inflammability class according to UL 94</b>	V0
<b>Contact material</b>	Copper alloy
<b>Contact surface material</b>	Ag
<b>Contact carrier material</b>	PA

### Electrical characteristics

<b>Rated voltage (III/3)</b>	500 V
<b>Rated surge voltage</b>	6 kV
<b>Rated current</b>	16 A

## classifications

### eCl@ss

<b>eCl@ss 4.0</b>	272607xx
<b>eCl@ss 4.1</b>	27260701
<b>eCl@ss 5.0</b>	27143424
<b>eCl@ss 5.1</b>	27143424
<b>eCl@ss 6.0</b>	27143424
<b>eCl@ss 7.0</b>	27440209
<b>eCl@ss 8.0</b>	27440209

### ETIM

<b>ETIM 3.0</b>	EC000438
<b>ETIM 4.0</b>	EC000438
<b>ETIM 5.0</b>	EC000438

### UNSPSC

<b>UNSPSC 6.01</b>	30211923
<b>UNSPSC 7.0901</b>	39121522
<b>UNSPSC 11</b>	39121522
<b>UNSPSC 12.01</b>	39121522
<b>UNSPSC 13.2</b>	39121522

## approvals

---

CSA / UL Recognized / cUL Recognized / cULus Recognized /

---

### Approval details

# Contact insert - HC-B 10-I-UT-F - 1648186

## approvals

<b>CSA</b>	
Nominal voltage UN	600 V
Nominal current IN	13 A
mm <sup>2</sup> /AWG/kcmil	22-14

<b>UL Recognized</b>	
Nominal voltage UN	600 V
Nominal current IN	13 A
mm <sup>2</sup> /AWG/kcmil	22-14

<b>cUL Recognized</b>	
Nominal voltage UN	600 V
Nominal current IN	13 A
mm <sup>2</sup> /AWG/kcmil	22-14

<b>cULus Recognized</b>	
-------------------------	--

## accessories

### Mounting material

HC-B-PES - 1604997



## Contact insert - HC-B 10-I-UT-F - 1648186

accessories

HC-B-3PE - 1644326



HC-B-ZG - 1685327



HC-B-ZS - 1685330



### Coding element

CP-HC - 1686478



HC-CBU - 1676860



## Contact insert - HC-B 10-I-UT-F - 1648186

accessories

HC-CB - 1772722



HC-CST - 1676857



### Plug assembly frame

HC-SMR-B10 - 1687969



### Plug mounting plate

HC-SMP 125-B10-AMQ - 1660960



### Adapter plate

HC-B 24-ADP-B 10-GY - 1660436



# Contact insert - HC-B 10-I-UT-F - 1648186

accessories

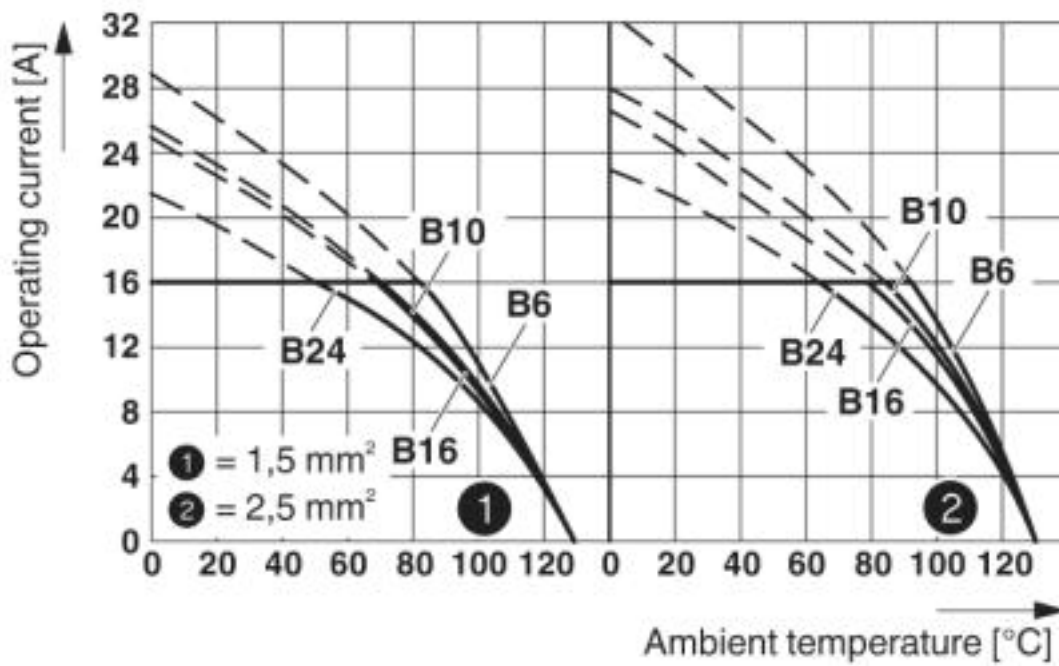
Docking frame

HC-B 10-ANDOCK - 1586125



## Drawings

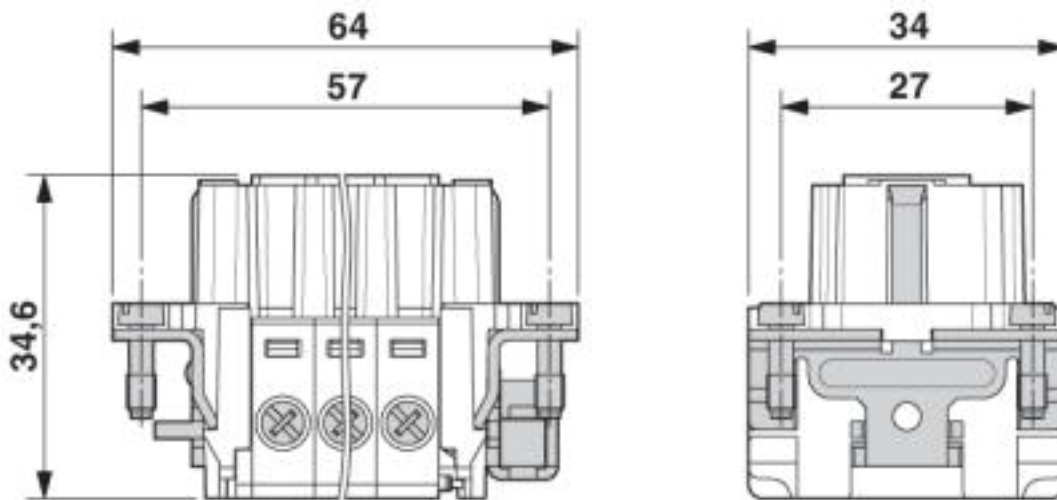
Diagram



Derating diagram

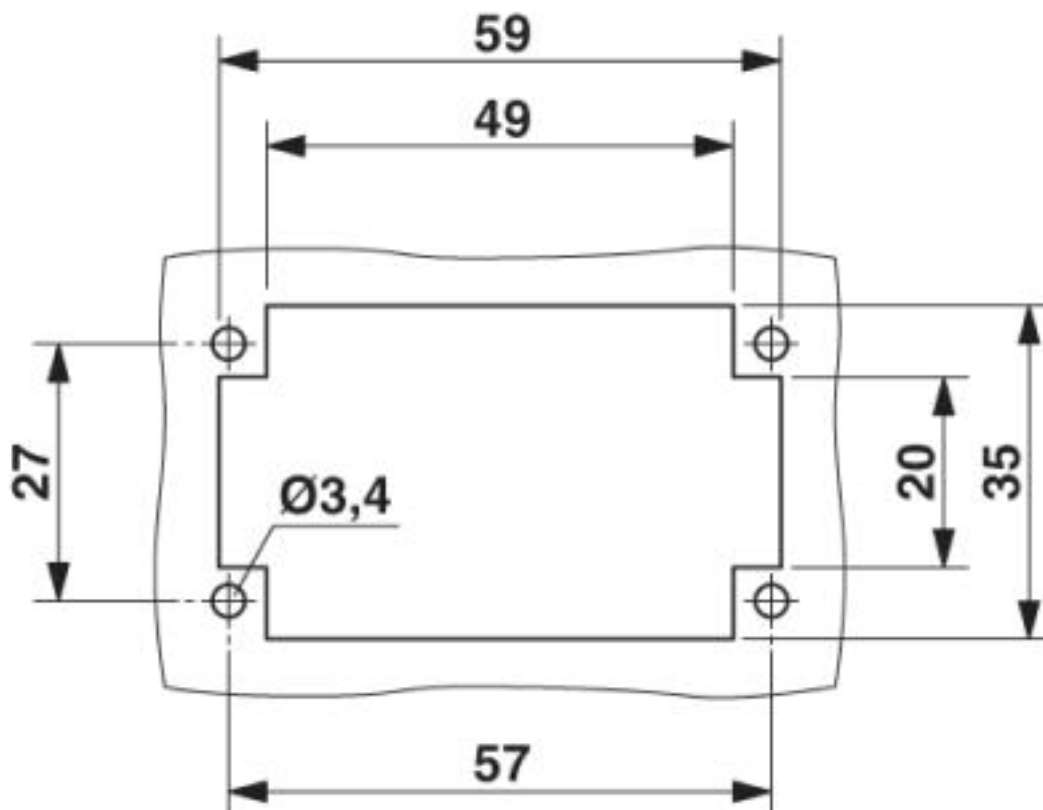
# Contact insert - HC-B 10-I-UT-F - 1648186

Dimensioned drawing



Female insert

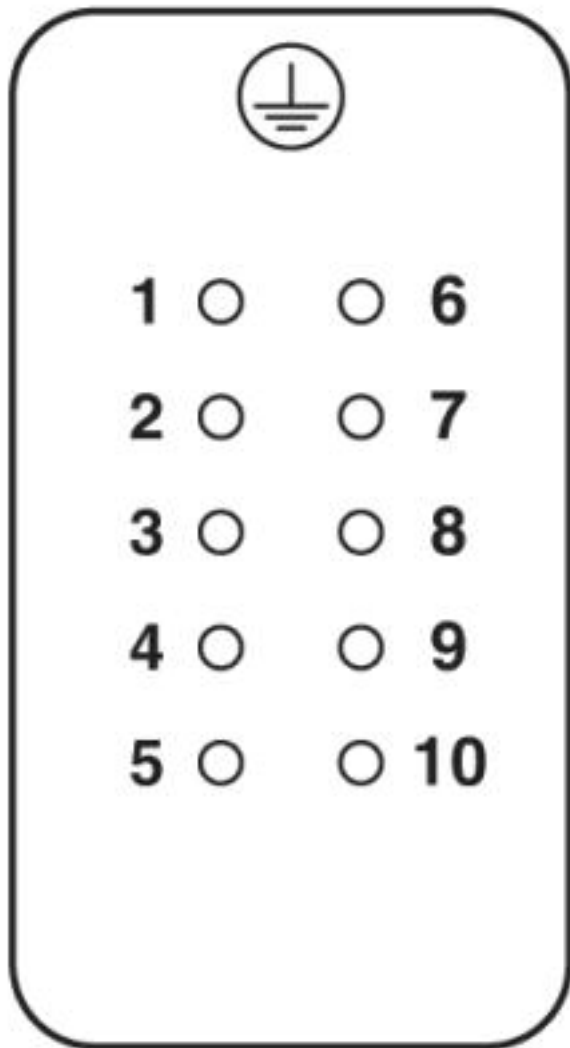
Dimensioned drawing



Panel cutout

# Contact insert - HC-B 10-I-UT-F - 1648186

Schematic diagram



Connector pin assignment, connection side

© Phoenix Contact 2013 - all rights reserved  
<http://www.phoenixcontact.com>