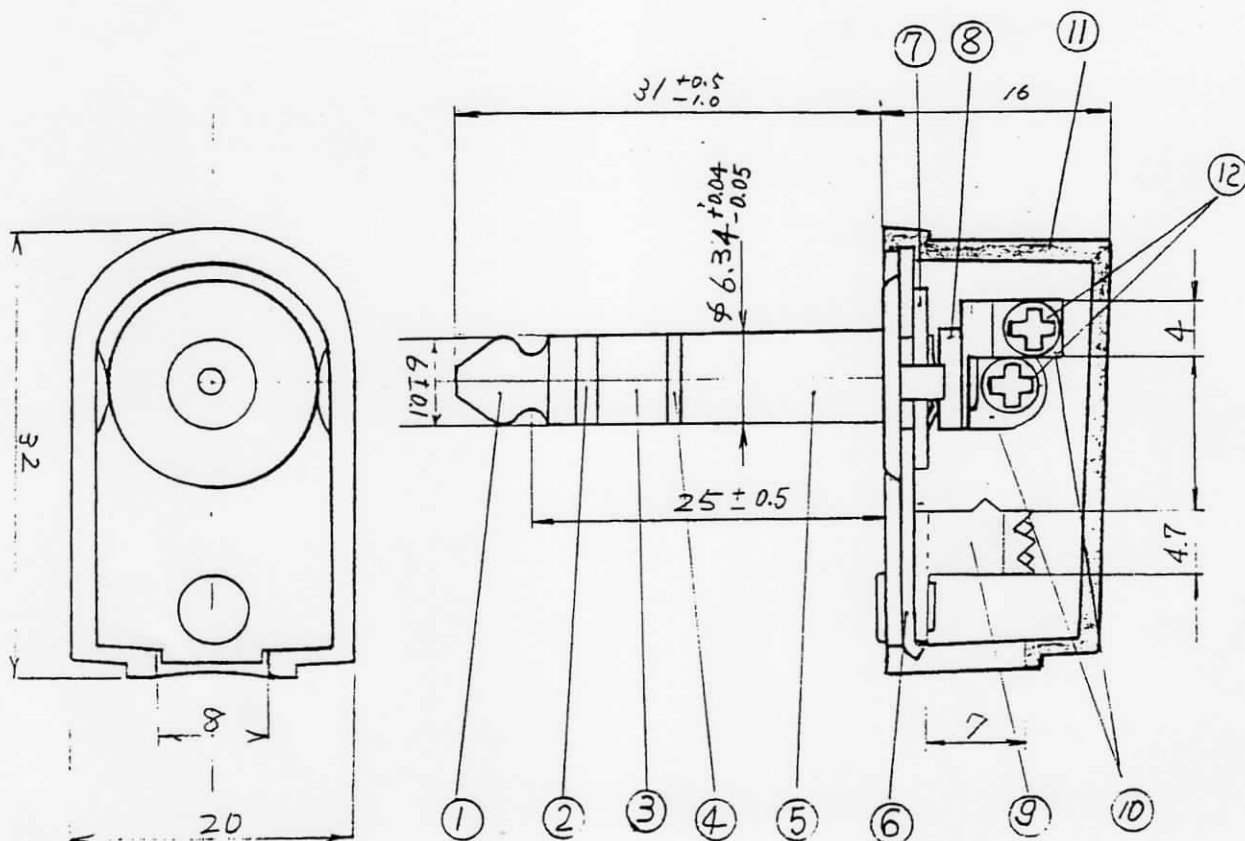


NOTE: BREAKDOWN VOLTAGE: 500 VAC for one minute.
 INSULATION RESISTANCE: 100 Megaohm min. @500 VDC.
 CONTACT RESISTANCE: 50 miliohm Max.



12	SCREW	2	ST	Ni-P
11	CAP	1	PP	
10	TERHINAL B	2	ST	Ni-P
9	TERHINAL A	1	ST	Ni-P
8	INSULATOR D	1	PF	
7	INSULATOR C	1	PF	
6	FRAME	1	ST	Ni-P
5	CONTACT C	1	BSBM	Ni-P
4	INSULATOR B	1	EBONITE	
3	CONTACT B	1	BSBM	Ni-P
2	INSULATOR A	1	EBONITE	
1	CONTACT A	1	BSBM	Ni-P
LET	PART NAME	QTE	MATERIAL	REMARK
DRAWN		SCALE	2/1	TITLE
CKD		3RD ANGLE PROJ		MP-128L
APPR		DATE		DRAWN No.