

# Flush-type connector - SACC-DSI-M12MS-5CON-PG9/0,5 - 1514870

Please be informed that the data shown in this PDF Document is generated from our Online Catalog. Please find the complete data in the user's documentation. Our General Terms of Use for Downloads are valid (<http://download.phoenixcontact.com>)



Sensor/Actuator flush-type plug, 5-pos., M12, A-coded, rear/screw mounting with Pg9 thread, with 0.5 m TPE litz wire, 5x 0.34 mm<sup>2</sup>

## Key commercial data

package_quantity	1
GTIN	4017918923167

## Technical data

### Dimensions

Length of cable	0.5 m
-----------------	-------

### Ambient conditions

Ambient temperature (operation)	-25 °C ... 85 °C (Plug / socket)
Degree of protection	IP67

### General

Rated current at 40°C	4 A
Rated voltage	60 V
Number of positions	5
Contact resistance	≤ 3 mΩ
Insulation resistance	≥ 100 MΩ
Coding	A - standard
Status display	No
Surge voltage category	II
Pollution degree	3
Connection method	Individual wires

### Material

Inflammability class according to UL 94	HB
Contact material	CuZn
Contact surface material	Au
Contact carrier material	PA 66
Material, knurls	Zinc die-cast, nickel-plated
Sealing material	NBR

# Flush-type connector - SACC-DSI-M12MS-5CON-PG9/0,5 - 1514870

## Technical data

### Cable

<b>Cable type</b>	TPE litz wire
<b>Conductor cross section</b>	0.34 mm <sup>2</sup>
<b>AWG signal line</b>	22
<b>Conductor structure signal line</b>	7x 0.25 mm
<b>Core diameter including insulation</b>	1.2 mm ±0.07 mm
<b>Thickness, insulation</b>	0.21 mm
<b>Wire colors</b>	Black, brown, blue, white, gray
<b>Material conductor insulation</b>	TPE
<b>Conductor material</b>	Tin-plated Cu litz wires
<b>Insulation resistance</b>	≥ 20 MΩ*km
<b>Conductor resistance</b>	≤ 57.6 mΩ/m
<b>Nominal voltage, cable</b>	300 V
<b>Test voltage, cable</b>	2000 V AC
<b>Ambient temperature (operation)</b>	-25 °C ... 90 °C (cable, fixed installation)

## classifications

### eCl@ss

<b>eCl@ss 4.0</b>	27140815
<b>eCl@ss 4.1</b>	27140815
<b>eCl@ss 5.0</b>	27143423
<b>eCl@ss 5.1</b>	27143423
<b>eCl@ss 6.0</b>	27143423
<b>eCl@ss 7.0</b>	27449001
<b>eCl@ss 8.0</b>	27449001

### ETIM

<b>ETIM 2.0</b>	EC001297
<b>ETIM 3.0</b>	EC002061
<b>ETIM 4.0</b>	EC002061
<b>ETIM 5.0</b>	EC002061

### UNSPSC


<b>UNSPSC 6.01</b>	31251501
<b>UNSPSC 7.0901</b>	31251501
<b>UNSPSC 11</b>	31251501
<b>UNSPSC 12.01</b>	31251501
<b>UNSPSC 13.2</b>	31251501


# Flush-type connector - SACC-DSI-M12MS-5CON-PG9/0,5 - 1514870

## approvals

UL Recognized / cUL Recognized / cULus Recognized /

### Approval details

<b>UL Recognized</b> 	
Nominal voltage UN	125 V
Nominal current IN	4 A
mm <sup>2</sup> /AWG/kcmil	

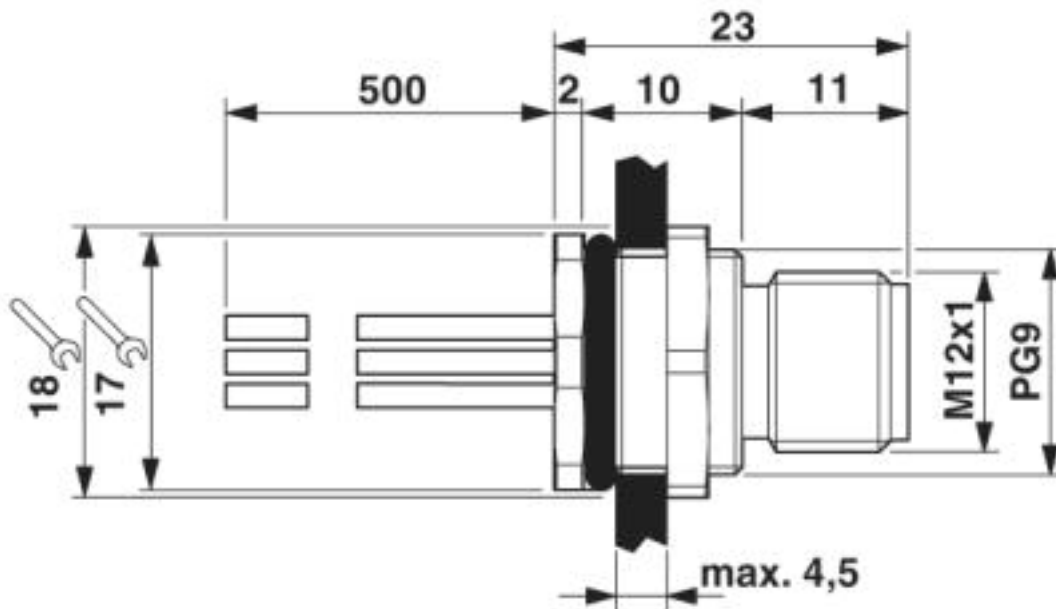
<b>cUL Recognized</b> 	
Nominal voltage UN	125 V
Nominal current IN	4 A
mm <sup>2</sup> /AWG/kcmil	

<b>cULus Recognized</b> 	
---	--

## Drawings

# Flush-type connector - SACC-DSI-M12MS-5CON-PG9/0,5 - 1514870

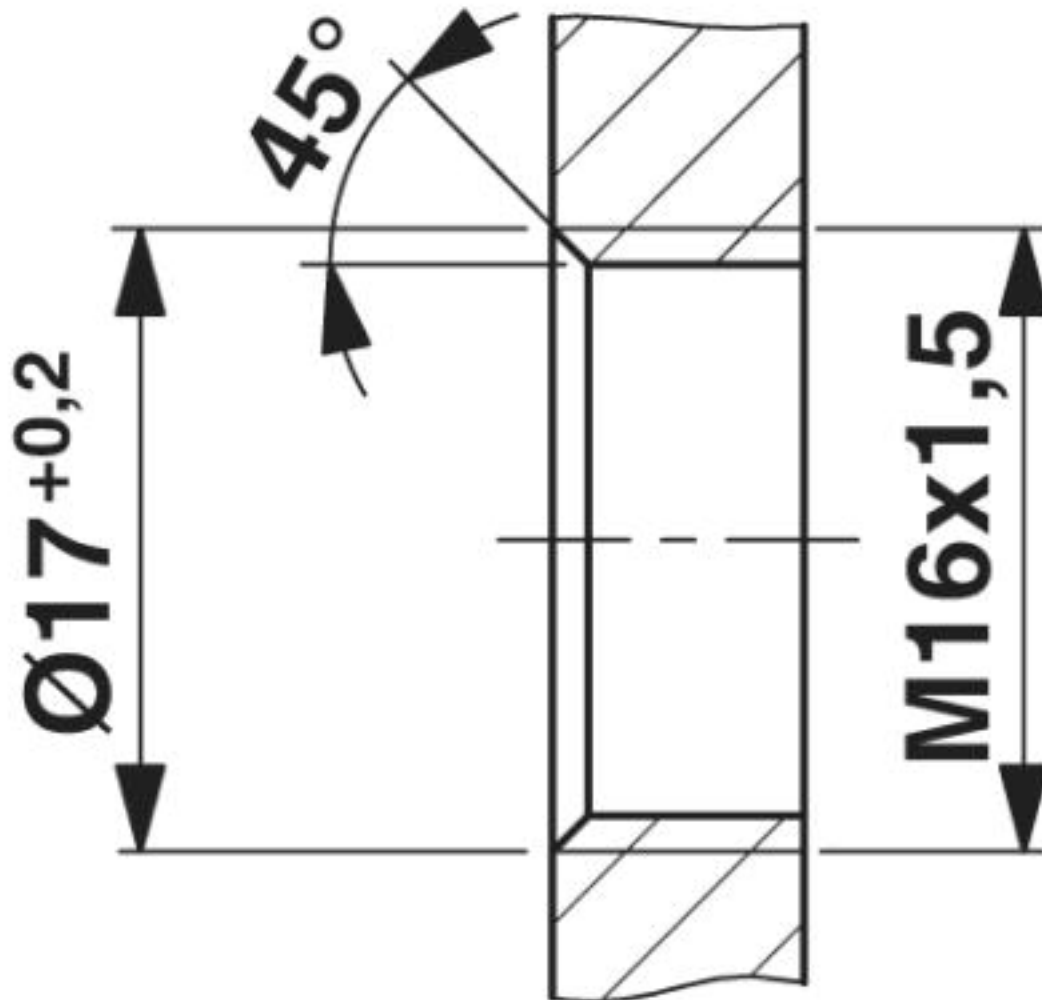
Dimensioned drawing



M12 flush-type connector

# Flush-type connector - SACC-DSI-M12MS-5CON-PG9/0,5 - 1514870

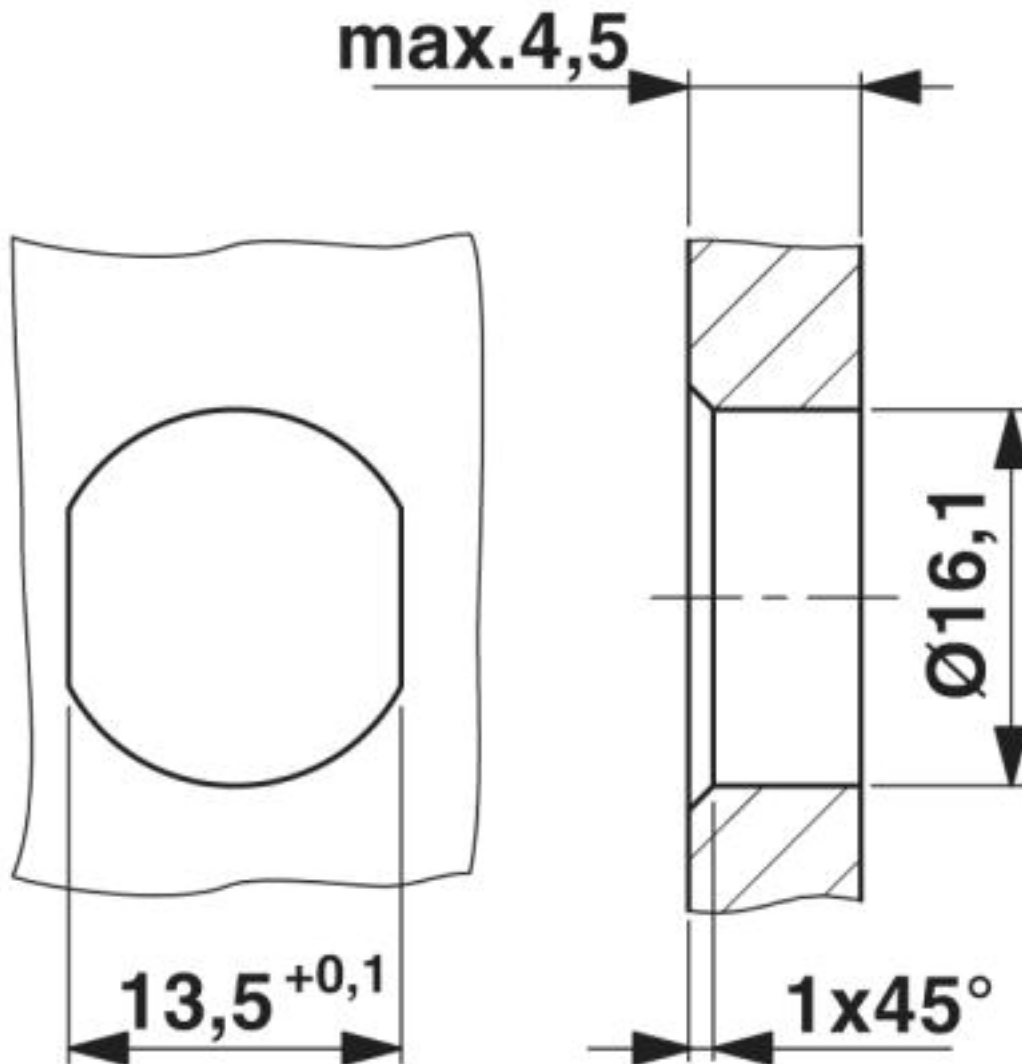
Dimensioned drawing



Housing cutout for M16 fastening thread, mounting panel with thread

# Flush-type connector - SACC-DSI-M12MS-5CON-PG9/0,5 - 1514870

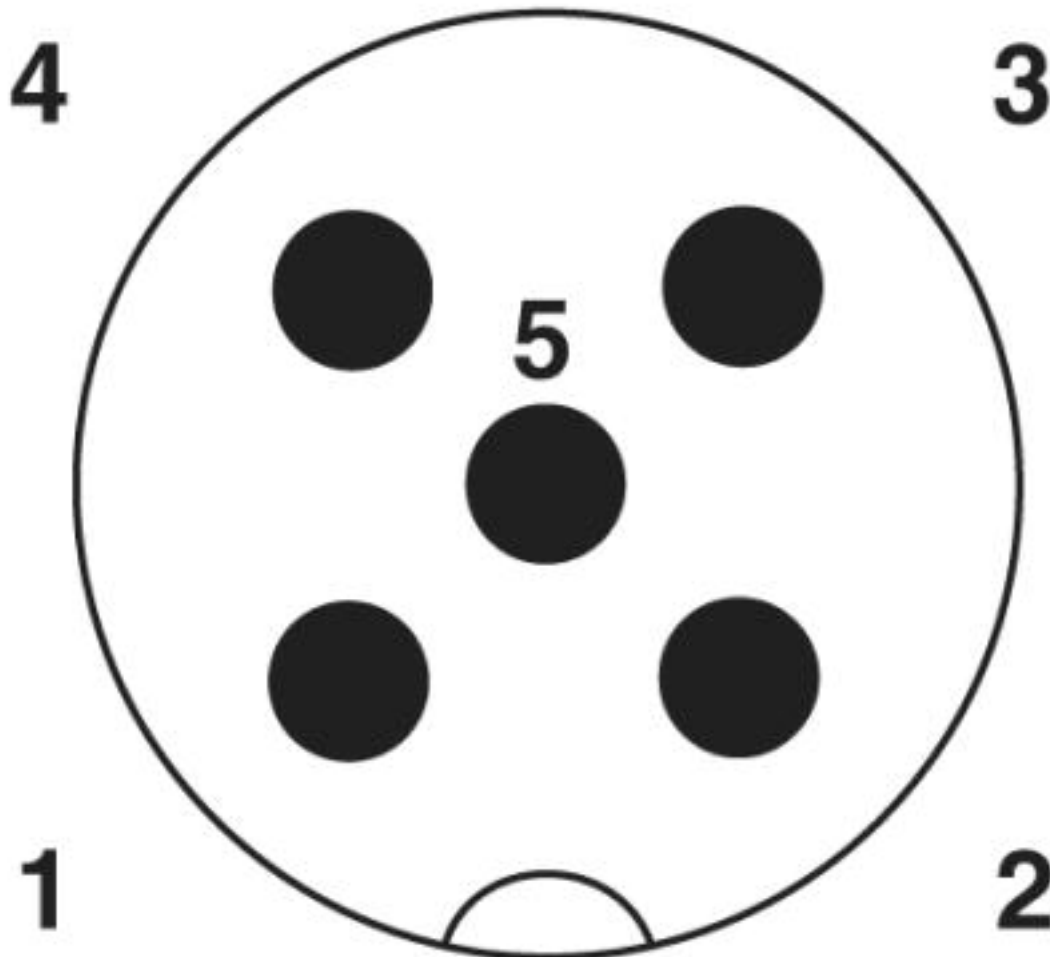
Dimensioned drawing



Housing cutout for M16 fastening thread, mounting panel with feed-through hole (alternatively with surface as protection against rotation)

# Flush-type connector - SACC-DSI-M12MS-5CON-PG9/0,5 - 1514870

Schematic diagram



Pin assignment M12 male connector, 5-pos., A-coded, male side

© Phoenix Contact 2013 - all rights reserved  
<http://www.phoenixcontact.com>