

Sleeve housing - VC-K-T2-R-M25 - 1855107

Please be informed that the data shown in this PDF Document is generated from our Online Catalog. Please find the complete data in the user's documentation. Our General Terms of Use for Downloads are valid (<http://download.phoenixcontact.com>)



Sleeve housing, plastic, with metric cable outlet, locking screws with knurled head, type: VC2, cable screw connection: M25

Product Features

- Seals with two cable entries are available
- Angled cable outlet so the cable can be routed as desired, from the side and straight

Key commercial data

package_quantity	5
GTIN	4017918970864

Technical data

Dimensions

Height	65 mm
--------	-------

Ambient conditions

Degree of protection	IP65
Ambient temperature (operation)	-40 °C ... 80 °C

General

Note	When using fiber optics, the bending radii of the cable manufacturers must be observed.
Design	VC2
Degree of protection	IP65
Inflammability class according to UL 94	V0
Locking type	Screw locking, knurled head
Fixing screws	M4
Tightening torque, mounting screw	1.5 Nm ± 0.3 Nm
Type of the screw connection	M25
Pg screw connection	None
Cable exit	Angled
Housing material	Polyamide
Seal material	EPDM
Ambient temperature (operation)	-40 °C ... 80 °C

Sleeve housing - VC-K-T2-R-M25 - 1855107

classifications

eCl@ss

eCl@ss 4.0	27140816
eCl@ss 4.1	27140816
eCl@ss 5.0	27371205
eCl@ss 5.1	27371205
eCl@ss 6.0	27371205
eCl@ss 7.0	27371205
eCl@ss 8.0	27371205

ETIM

ETIM 2.0	EC000437
ETIM 3.0	EC000437
ETIM 4.0	EC000437
ETIM 5.0	EC000437

UNSPSC

UNSPSC 6.01	31261501
UNSPSC 7.0901	31261501
UNSPSC 11	31261501
UNSPSC 12.01	31261501
UNSPSC 13.2	31261501

approvals

GOST /

Approval details



accessories

Full screw connection

HC-K-KV-M25(11-17) - 1690639



Sleeve housing - VC-K-T2-R-M25 - 1855107

accessories

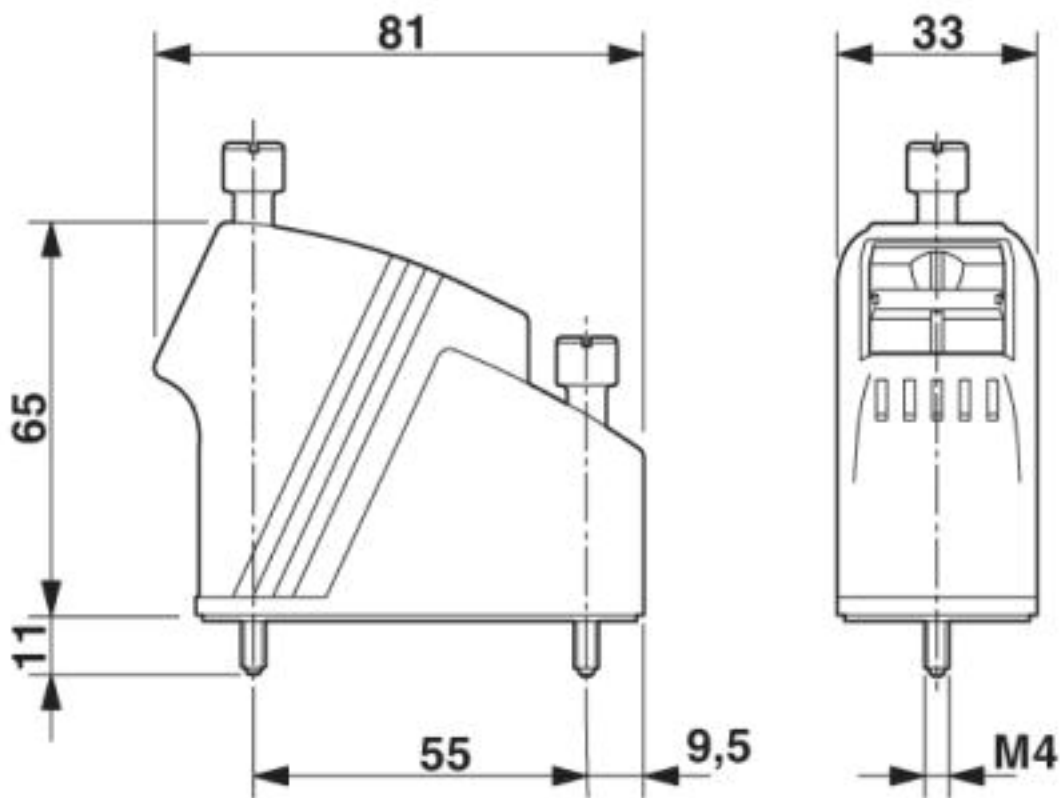
VC-BZS WH - 1852875



Drawings

Dimensioned drawing

Dimensioned drawing



Dimensioned drawing