

Connection terminal block - AKG 16 GNYE - 0423027

Please be informed that the data shown in this PDF Document is generated from our Online Catalog. Please find the complete data in the user's documentation. Our General Terms of Use for Downloads are valid (<http://download.phoenixcontact.com>)



Connection terminal block, Connection method Screw connection, Load current : 76 A, Cross section: 1.5 mm² - 16 mm², Width: 9.8 mm, Color: green-yellow

Key commercial data

| | |
|------------------|---------------|
| package_quantity | 50 |
| GTIN | 4017918002008 |

Technical data

General

| | |
|---|--------------|
| Color | green-yellow |
| Insulating material | PA |
| Inflammability class according to UL 94 | V2 |

General

| | |
|--------------------------------|--|
| Maximum load current | 76 A (with 16 mm ² conductor cross section) |
| Nominal current I _N | 76 A |
| Nominal voltage U _N | 300 V |

Dimensions

| | |
|--------|---------|
| Length | 23.7 mm |
| Width | 9.8 mm |

Connection data

| | |
|--|---------------------|
| Conductor cross section solid min. | 1.5 mm ² |
| Conductor cross section solid max. | 16 mm ² |
| Conductor cross section stranded min. | 1.5 mm ² |
| Conductor cross section stranded max. | 16 mm ² |
| Conductor cross section AWG/kcmil min. | 16 |
| Conductor cross section AWG/kcmil max | 6 |
| Conductor cross section stranded, with ferrule without plastic sleeve min. | 1.5 mm ² |
| Conductor cross section stranded, with ferrule without plastic sleeve max. | 16 mm ² |
| Conductor cross section stranded, with ferrule with plastic sleeve min. | 1.5 mm ² |
| Conductor cross section stranded, with ferrule with plastic sleeve max. | 16 mm ² |

Connection terminal block - AKG 16 GNYE - 0423027

Technical data

Connection data

| | |
|---|---------------------|
| 2 conductors with same cross section, solid min. | 1.5 mm ² |
| 2 conductors with same cross section, solid max. | 6 mm ² |
| 2 conductors with same cross section, stranded min. | 1.5 mm ² |
| 2 conductors with same cross section, stranded max. | 6 mm ² |
| 2 conductors with same cross section, stranded, ferrules without plastic sleeve, min. | 1.5 mm ² |
| 2 conductors with same cross section, stranded, ferrules without plastic sleeve, max. | 6 mm ² |
| 2 conductors with same cross section, stranded, TWIN ferrules with plastic sleeve, min. | 1.5 mm ² |
| 2 conductors with same cross section, stranded, TWIN ferrules with plastic sleeve, max. | 10 mm ² |
| Connection method | Screw connection |
| Stripping length | 16 mm |
| Screw thread | M5 |
| Tightening torque, min | 2.5 Nm |
| Tightening torque max | 3 Nm |

classifications

eCl@ss

| | |
|------------|----------|
| eCl@ss 4.0 | 27141131 |
| eCl@ss 4.1 | 27141131 |
| eCl@ss 5.0 | 27141131 |
| eCl@ss 5.1 | 27141131 |
| eCl@ss 6.0 | 27141120 |
| eCl@ss 7.0 | 27141120 |
| eCl@ss 8.0 | 27141120 |

ETIM

| | |
|----------|----------|
| ETIM 2.0 | EC000897 |
| ETIM 3.0 | EC000897 |
| ETIM 4.0 | EC000897 |
| ETIM 5.0 | EC000897 |

UNSPSC

| | |
|---------------|----------|
| UNSPSC 6.01 | 30211811 |
| UNSPSC 7.0901 | 39121410 |
| UNSPSC 11 | 39121410 |
| UNSPSC 12.01 | 39121410 |
| UNSPSC 13.2 | 39121410 |

Connection terminal block - AKG 16 GNYE - 0423027

approvals

CSA / UL Recognized / cUL Recognized / GOST / GOST / cULus Recognized /

Approval details

| | |
|----------------------------|------|
| CSA | |
| Nominal voltage UN | |
| Nominal current IN | 65 A |
| mm ² /AWG/kcmil | 18-6 |

| | |
|----------------------------|--|
| UL Recognized | |
| Nominal voltage UN | |
| Nominal current IN | |
| mm ² /AWG/kcmil | |

| | |
|----------------------------|--|
| cUL Recognized | |
| Nominal voltage UN | |
| Nominal current IN | |
| mm ² /AWG/kcmil | |

| | |
|-------------|--|
| GOST | |
|-------------|--|

| | |
|--|--|
| | |
|--|--|

| | |
|-------------------------|--|
| cULus Recognized | |
|-------------------------|--|

accessories

Support

Connection terminal block - AKG 16 GNYE - 0423027

accessories

ABN 2/SS - 0404460



UAB 1 - 3032431



AB2/SS - 0404431



AB/SS - 0404428



Screwdriver tools

SZS 1,0X4,0 VDE - 1205066



Connection terminal block - AKG 16 GNYE - 0423027

accessories

SZS 1,0X6,5 VDE - 1205079



Neutral conductor rail

NLS-CU 3/10 SN 1000MM - 0402174



Terminal marking

ZB 6:UNBEDRUCKT - 1051003



UC-TM 6 - 0818085



UCT-TM 6 - 0828736



Labeled terminal marker

Connection terminal block - AKG 16 GNYE - 0423027

accessories

ZB 6 CUS - 0824992



UC-TM 6 CUS - 0824589



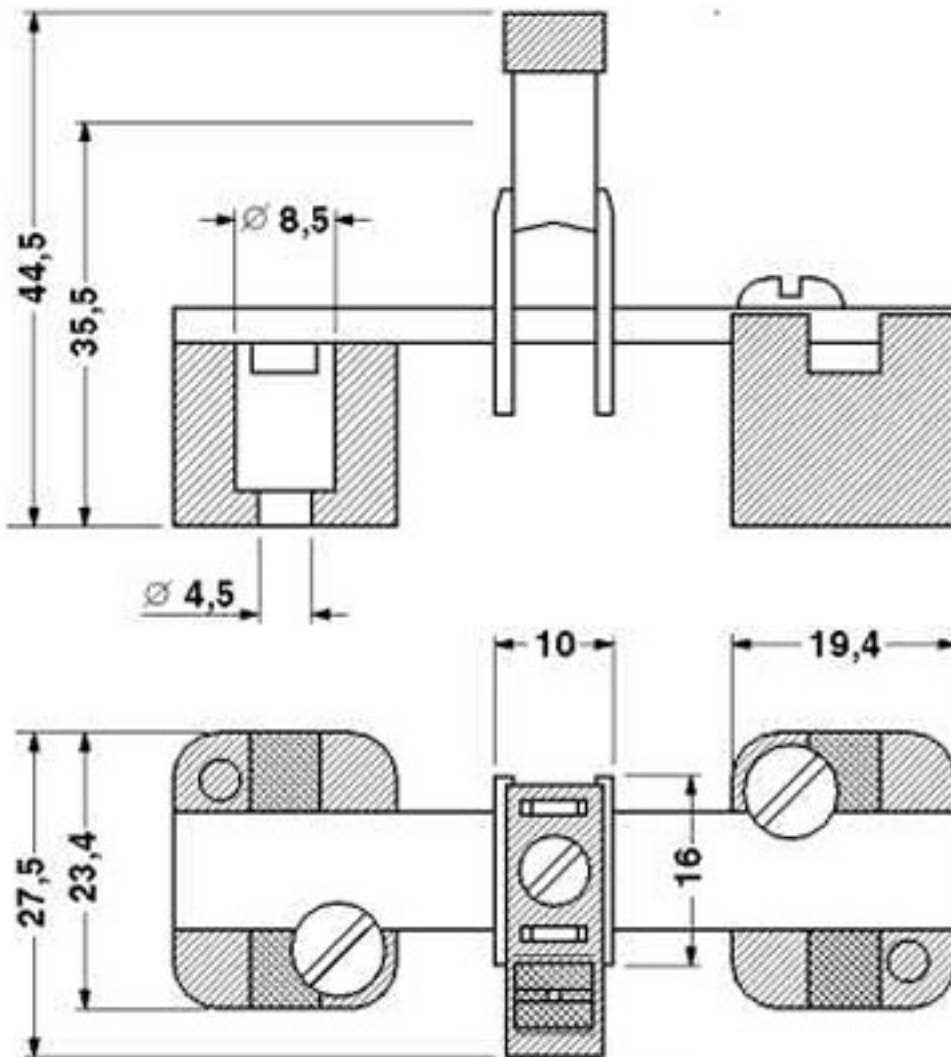
UCT-TM 6 CUS - 0829602



Drawings

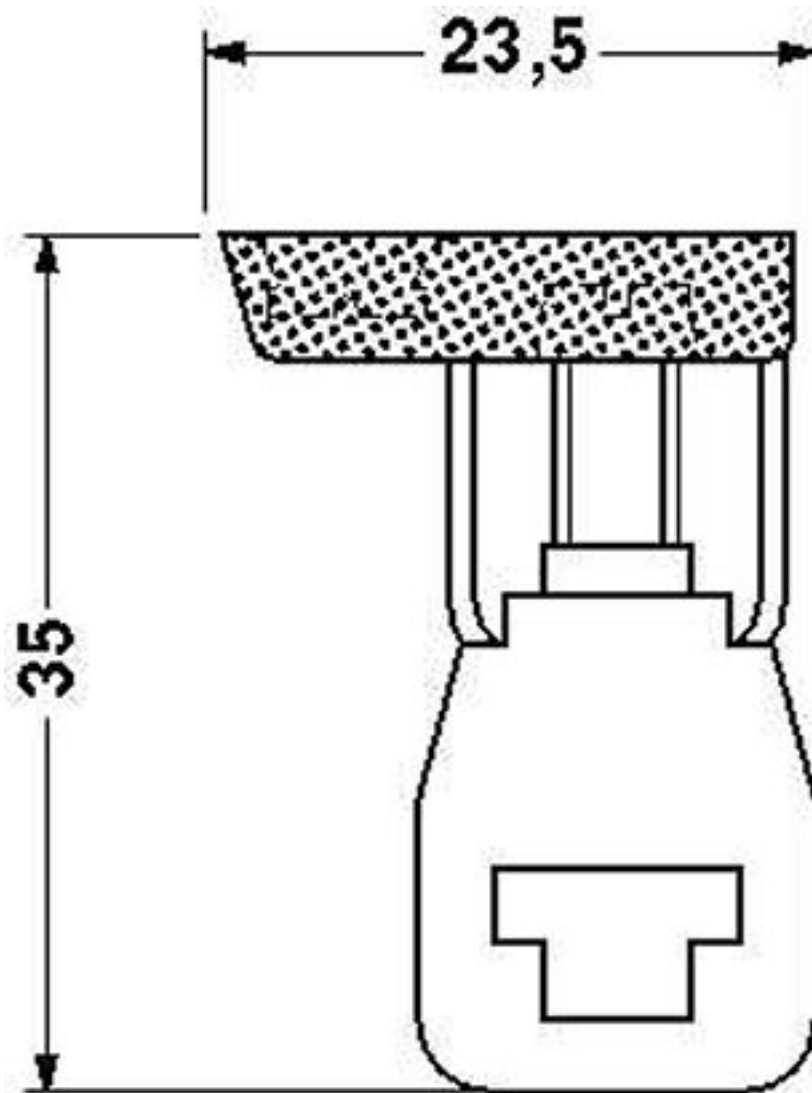
Connection terminal block - AKG 16 GNYE - 0423027

Dimensioned drawing



Connection terminal block - AKG 16 GNYE - 0423027

Dimensioned drawing



© Phoenix Contact 2013 - all rights reserved
<http://www.phoenixcontact.com>