

# Terminal adapter - HC-D 40-A-UT-PEL-F - 1584253

Please be informed that the data shown in this PDF Document is generated from our Online Catalog. Please find the complete data in the user's documentation. Our General Terms of Use for Downloads are valid (<http://download.phoenixcontact.com>)



HEAVYCON terminal adapter female insert, D40 series, 40-pos., right PE connection for the left side of the control cabinet, screw connection

## Key commercial data

<b>package_quantity</b>	1
<b>GTIN</b>	4046356142328

## Technical data

### Dimensions

<b>Drill hole distance, horizontal</b>	77.5 mm
<b>Height</b>	129.9 mm

### Ambient conditions

<b>Ambient temperature (operation)</b>	-40 °C ... 125 °C
--	-------------------

### Electrical characteristics

<b>Note</b>	For HEAVYCON-ADVANCE mounting flange and HEAVYCON panel mounting base of B16 type
<b>Number of positions</b>	40
<b>Connection in acc. with standard</b>	IEC / EN
<b>Rated voltage (III/3)</b>	250 V
<b>Rated surge voltage</b>	4 kV
<b>Rated current</b>	10 A

### Mechanical characteristics

<b>Design</b>	B16
<b>Connection method</b>	Screw connection
<b>Tightening torque</b>	0.5 Nm ... 0.8 Nm
<b>Stripping length of the individual wire</b>	10 mm
<b>Conductor cross section</b>	0.5 mm <sup>2</sup> ... 2.5 mm <sup>2</sup>
<b>Connection cross section AWG</b>	22 ... 12

### General

<b>Contact material</b>	Copper alloy
<b>Contact surface material</b>	Ag
<b>Contact carrier material</b>	PA

# Terminal adapter - HC-D 40-A-UT-PEL-F - 1584253

## Technical data

### General

<b>Pollution degree</b>	3
<b>Surge voltage category</b>	III
<b>Inflammability class according to UL 94</b>	V0
<b>Connection in acc. with standard</b>	IEC / EN
<b>Installation instructions</b>	Connectors may be plugged in only when there is no load/voltage. Not for HC-B 16-AMQ-EMV housings

## classifications

### eCl@ss

<b>eCl@ss 4.0</b>	27140816
<b>eCl@ss 4.1</b>	27140816
<b>eCl@ss 5.0</b>	27143424
<b>eCl@ss 5.1</b>	27143424
<b>eCl@ss 6.0</b>	27143424
<b>eCl@ss 7.0</b>	27440205
<b>eCl@ss 8.0</b>	27440205

### ETIM

<b>ETIM 3.0</b>	EC000438
<b>ETIM 4.0</b>	EC000438
<b>ETIM 5.0</b>	EC000438

### UNSPSC

<b>UNSPSC 6.01</b>	30211923
<b>UNSPSC 7.0901</b>	39121522
<b>UNSPSC 11</b>	39121522
<b>UNSPSC 12.01</b>	39121522
<b>UNSPSC 13.2</b>	39121522

## accessories

### Mounting material

HC-KA-FE - 1775240



# Terminal adapter - HC-D 40-A-UT-PEL-F - 1584253

accessories

HC-VSH - 1660083



HC-B-PES - 1604997



HC-B-3PE - 1644326



## Coding element

HC-CST - 1676857



HC-CBU - 1676860



# Terminal adapter - HC-D 40-A-UT-PEL-F - 1584253

accessories

HC-CB - 1772722



---

## Terminal marking

ZB 5 :UNBEDRUCKT - 1050004

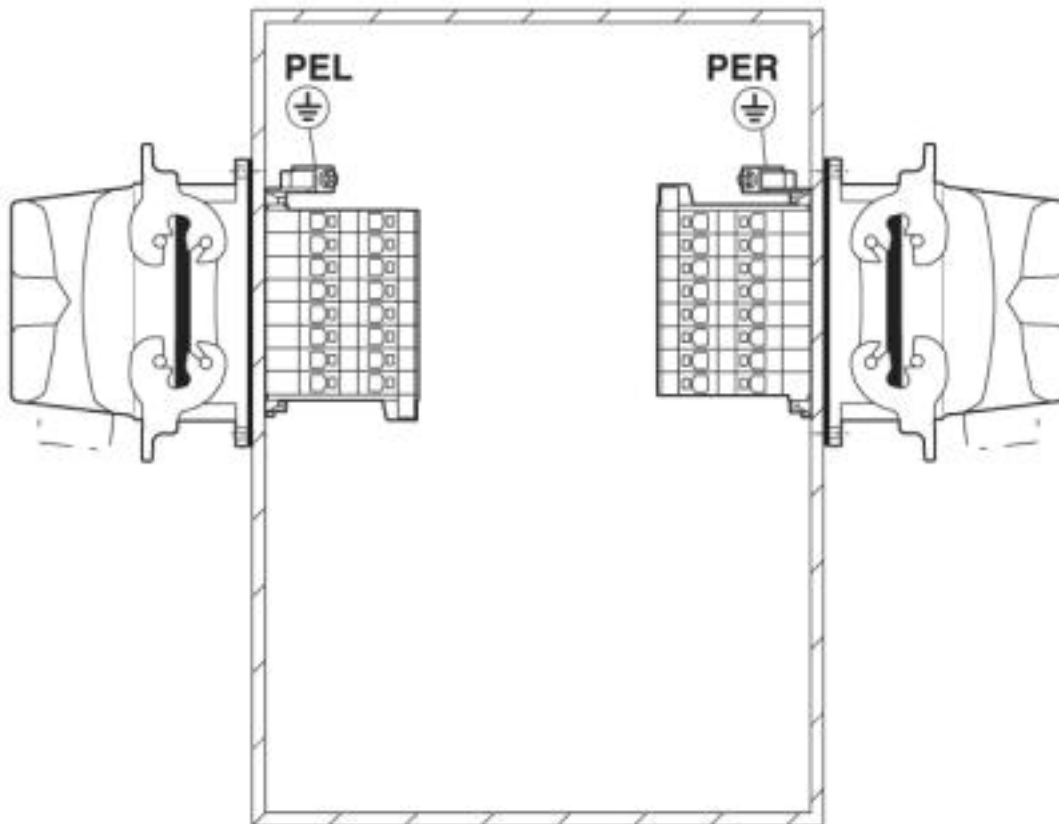


---

## Drawings

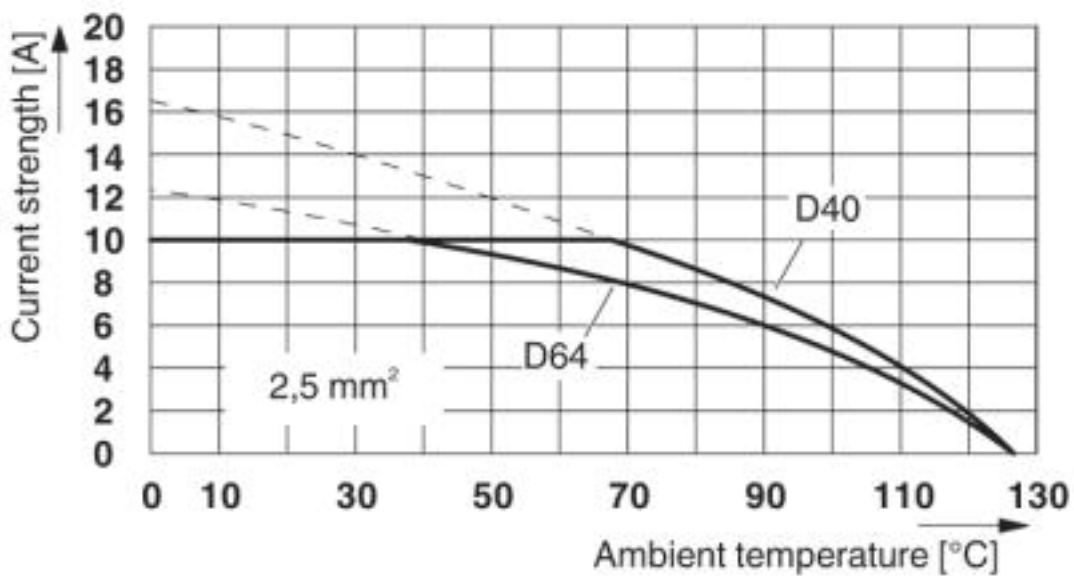
# Terminal adapter - HC-D 40-A-UT-PEL-F - 1584253

Application drawing



Mounting position PE connection left/right (PEL/PER)

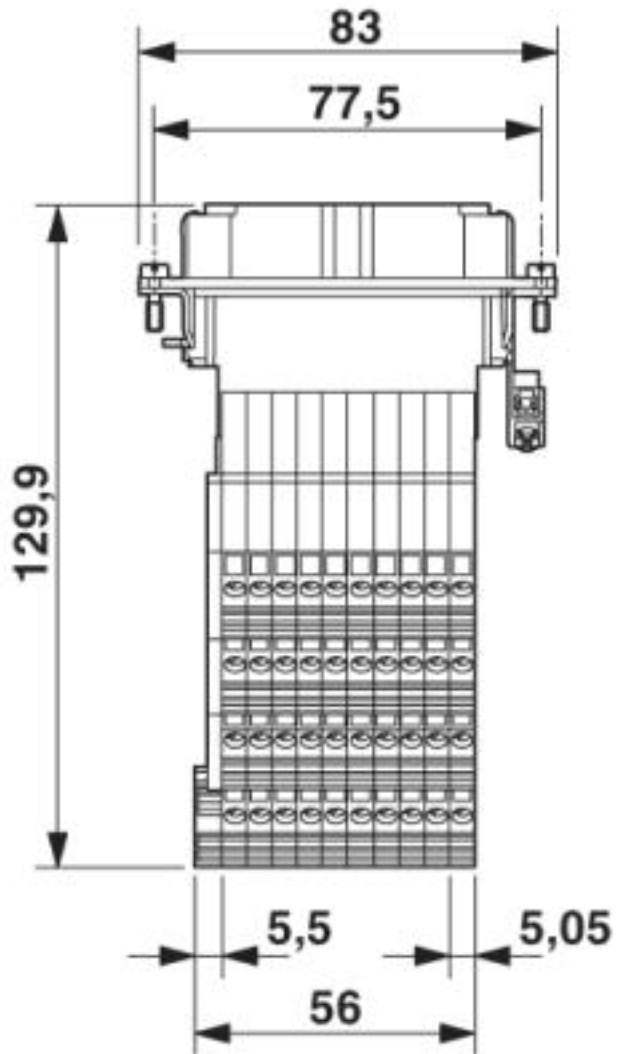
Diagram



Derating diagram for 2.5 mm²

# Terminal adapter - HC-D 40-A-UT-PEL-F - 1584253

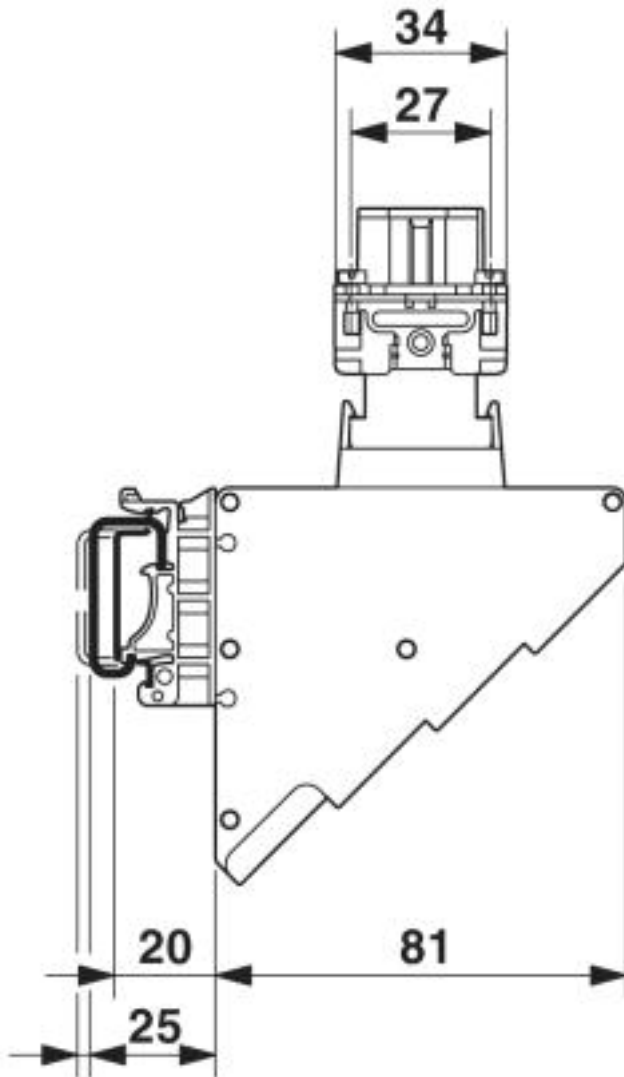
Dimensioned drawing



Dimensional drawing

# Terminal adapter - HC-D 40-A-UT-PEL-F - 1584253

Dimensioned drawing



Dimensional drawing, side view

© Phoenix Contact 2013 - all rights reserved  
<http://www.phoenixcontact.com>