

## Ground modular terminal block - PTMED 6-PE - 3212196

Please be informed that the data shown in this PDF Document is generated from our Online Catalog. Please find the complete data in the user's documentation. Our General Terms of Use for Downloads are valid (<http://download.phoenixcontact.com>)



Ground modular terminal block, Connection method: Push-in connection, Cross section: 0.5 mm<sup>2</sup> -10 mm<sup>2</sup> , AWG: 20 - 10, Width: 8.2 mm, Color: green-yellow

### Product Features

- Feed-through terminal blocks of the same shape are available
- Clear selection thanks to printed switching symbols
- Easy operation
- Clear
- Compact design
- Six function shafts
- Flexible and comprehensive accessories
- Reliably snapped into the end positions
- Contact made via screw terminal points

### Key commercial data

package_quantity	50
GTIN	4046356514958

### Technical data

#### General

Number of levels	1
Number of connections	2
Color	green-yellow
Insulating material	PA
Inflammability class according to UL 94	V0

#### General

Rated surge voltage	6 kV
Pollution degree	3
Surge voltage category	III
Insulating material group	I
Connection in acc. with standard	IEC 60947-7-2
Open side panel	ja
Shock protection test specification	DIN EN 50274 (VDE 0660-514):2002-11
Back of the hand protection	guaranteed

# Ground modular terminal block - PTMED 6-PE - 3212196

## Technical data

### General

<b>Finger protection</b>	guaranteed
<b>Test specification, oscillation, broadband noise</b>	DIN EN 50155 (VDE 0115-200):2008-03
<b>Test spectrum</b>	Service life test category 1, class B, body mounted
<b>Test frequency</b>	$f_1 = 5 \text{ Hz}$ to $f_2 = 150 \text{ Hz}$
<b>ASD level</b>	$1.857 \text{ (m/s}^2\text{)}^2\text{/Hz}$
<b>Acceleration</b>	0.8 g
<b>Test duration per axis</b>	5 h
<b>Test directions</b>	X-, Y- and Z-axis
<b>Oscillation, broadband noise test result</b>	Test passed
<b>Test specification, shock test</b>	DIN EN 50155 (VDE 0115-200):2008-03
<b>Shock form</b>	Half-sine
<b>Acceleration</b>	5 g
<b>Shock duration</b>	30 ms
<b>Number of shocks per direction</b>	3
<b>Test directions</b>	X-, Y- and Z-axis (pos. and neg.)
<b>Shock test result</b>	Test passed
<b>Temperature index, insulating material (DIN EN 60216-1 (VDE 0304-21))</b>	130 °C
<b>Static insulating material application in cold</b>	-60 °C

### Dimensions

<b>Width</b>	8.2 mm
<b>Length</b>	100.8 mm
<b>Height NS 35/7,5</b>	49.6 mm
<b>Height NS 35/15</b>	57.1 mm

### Connection data

<b>Conductor cross section solid min.</b>	0.5 mm <sup>2</sup>
<b>Conductor cross section solid max.</b>	10 mm <sup>2</sup>
<b>Conductor cross section AWG/kcmil min.</b>	20
<b>Conductor cross section AWG/kcmil max</b>	8
<b>Conductor cross section stranded min.</b>	0.5 mm <sup>2</sup>
<b>Conductor cross section stranded max.</b>	6 mm <sup>2</sup>
<b>Min. AWG conductor cross section, stranded</b>	20
<b>Max. AWG conductor cross section, stranded</b>	10
<b>Conductor cross section stranded, with ferrule without plastic sleeve min.</b>	0.5 mm <sup>2</sup>
<b>Conductor cross section stranded, with ferrule without plastic sleeve max.</b>	6 mm <sup>2</sup>
<b>Conductor cross section stranded, with ferrule with plastic sleeve min.</b>	0.5 mm <sup>2</sup>
<b>Conductor cross section stranded, with ferrule with plastic sleeve max.</b>	6 mm <sup>2</sup>

# Ground modular terminal block - PTMED 6-PE - 3212196

## Technical data

### Connection data

2 conductors with same cross section, stranded, TWIN ferrules with plastic sleeve, min.	0.5 mm <sup>2</sup>
2 conductors with same cross section, stranded, TWIN ferrules with plastic sleeve, max.	1.5 mm <sup>2</sup>
Connection method	Push-in connection
Stripping length	12 mm
Internal cylindrical gage	A5

## classifications

### eCl@ss

eCl@ss 4.0	27141118
eCl@ss 4.1	27141118
eCl@ss 5.0	27141118
eCl@ss 5.1	27141118
eCl@ss 6.0	27141141
eCl@ss 7.0	27141141
eCl@ss 8.0	27141141

### ETIM

ETIM 2.0	EC000901
ETIM 3.0	EC000901
ETIM 4.0	EC000901
ETIM 5.0	EC000901


### UNSPSC

UNSPSC 6.01	30211811
UNSPSC 7.0901	39121410
UNSPSC 11	39121410
UNSPSC 12.01	39121410
UNSPSC 13.2	39121410

## approvals

UL Recognized / cUL Recognized / CSA / GOST / cULus Recognized /

### Approval details

UL Recognized 			
Usegroups	B	C	D
Nominal voltage UN			

# Ground modular terminal block - PTMED 6-PE - 3212196

## approvals

Usegroups	B	C	D
Nominal current I <sub>N</sub>			
mm <sup>2</sup> /AWG/kcmil	20-8	20-8	20-8

**cUL Recognized**

Usegroups	B	C	D
Nominal voltage U <sub>N</sub>			
Nominal current I <sub>N</sub>			
mm <sup>2</sup> /AWG/kcmil	20-8	20-8	20-8

**CSA**

Nominal voltage U <sub>N</sub>	
Nominal current I <sub>N</sub>	
mm <sup>2</sup> /AWG/kcmil	20-8

**GOST**

**cULus Recognized**

## accessories

### Screwdriver tools

SZF 2-0,8X4,0 - 1204520



## Ground modular terminal block - PTMED 6-PE - 3212196

### accessories

SZF 1-0,6X3,5 - 1204517



---

### End cover

D-DTME 6 - 3034426



---

DP PS-8 - 3036741



---

### Flange

CARRIER 35-8 - 3034387



---

### Cover profile

AP-ME METER - 3034361



# Ground modular terminal block - PTMED 6-PE - 3212196

## accessories

APH-ME - 3034374



---

APT-ME - 3034358



---

AH-ME - 3240265



---

## Documentation

PT-IL - 3208090



---

## Bridge

FBS 2-8 - 3030284



## Ground modular terminal block - PTMED 6-PE - 3212196

### accessories

FBS 3-8 - 3030297



FBS 4-8 - 3030307



FBS 5-8 - 3030310



FBS 10-8 - 3030323



FBS 6-8 - 3032470



FBS 1/3-8 - 3032363



# Ground modular terminal block - PTMED 6-PE - 3212196

accessories

---

FBS 1/4-8 - 3032376



FBS 1/3/5-8 - 3032389



FBS 1/4/7/10-8 - 3032402



SB-ME 2-8 - 3034468



SB-ME 3-8 - 3032800





# Ground modular terminal block - PTMED 6-PE - 3212196

## accessories

SB-ME 4-8 - 3034484



FBS 1/5-8 - 3032381

FBSRH 2-8 - 3033802



FBSRH 3-8 - 3033803



FBSRH 4-8 - 3033804



FBSR 2-8 - 3033808



# Ground modular terminal block - PTMED 6-PE - 3212196

accessories

---

FBSR 3-8 - 3001597



FBSR 5-8 - 3033809



FBSR 10-8 - 3001599



FBSR 16-8 - 3033816



FBSR 1/6/11/16-8 - 3033820



## Ground modular terminal block - PTMED 6-PE - 3212196

### accessories

FBSR 1/7/13/16-8 - 3033821



FBSR 1/6/11/14-8 - 3033822



### Mounting rail

NS 35/ 7,5 PERF 2000MM - 0801733



NS 35/ 7,5 UNPERF 2000MM - 0801681



NS 35/ 7,5 WH PERF 2000MM - 1204119



## Ground modular terminal block - PTMED 6-PE - 3212196

### accessories

NS 35/ 7,5 WH UNPERF 2000MM - 1204122



NS 35/ 7,5 AL UNPERF 2000MM - 0801704



NS 35/ 7,5 ZN PERF 2000MM - 1206421



NS 35/ 7,5 ZN UNPERF 2000MM - 1206434



NS 35/ 7,5 CU UNPERF 2000MM - 0801762



NS 35/ 7,5 CAP - 1206560



## Ground modular terminal block - PTMED 6-PE - 3212196

accessories

---

NS 35/15 PERF 2000MM - 1201730



NS 35/15 UNPERF 2000MM - 1201714



NS 35/15 WH PERF 2000MM - 0806602



NS 35/15 WH UNPERF 2000MM - 1204135



NS 35/15 AL UNPERF 2000MM - 1201756



## Ground modular terminal block - PTMED 6-PE - 3212196

### accessories

NS 35/15 ZN PERF 2000MM - 1206599



NS 35/15 ZN UNPERF 2000MM - 1206586



NS 35/15 CU UNPERF 2000MM - 1201895



NS 35/15 CAP - 1206573



NS 35/15-2,3 UNPERF 2000MM - 1201798



### Terminal marking

# Ground modular terminal block - PTMED 6-PE - 3212196

## accessories

ZB 8:UNBEDRUCKT - 1052002



UC-TM 8 - 0818072



UCT-TM 8 - 0828740



ZBF 8:UNBEDRUCKT - 0808781



UC-TMF 8 - 0818137



UCT-TMF 8 - 0828748



# Ground modular terminal block - PTMED 6-PE - 3212196

accessories

---

## Labeled terminal marker

ZB 8 CUS - 0825011



UC-TM 8 CUS - 0824597



UCT-TM 8 CUS - 0829616



ZBF 8 CUS - 0825030



UC-TMF 8 CUS - 0824654





# Ground modular terminal block - PTMED 6-PE - 3212196

accessories

UCT-TMF 8 CUS - 0829672



---

## Test plug terminal block

PAI-4-FIX BU - 3032729



---

PAI-4-FIX OG - 3034455



---

PAI-4-FIX YE - 3032745



---

PAI-4-FIX RD - 3032732



## Ground modular terminal block - PTMED 6-PE - 3212196

### accessories

PAI-4-FIX GN - 3032758



PAI-4-FIX BK - 3032774



PAI-4-FIX GY - 3032790



PAI-4-FIX VT - 3032761



PAI-4-FIX BN - 3032787



PS-8 - 3031005



# Ground modular terminal block - PTMED 6-PE - 3212196

accessories

---

PS-8/2,3MM RD - 3048564



## Planning and marking software

CLIP-PROJECT ADVANCED - 5146040



CLIP-PROJECT PROFESSIONAL - 5146053



## End block

CLIPFIX 35 - 3022218



CLIPFIX 35-5 - 3022276



# Ground modular terminal block - PTMED 6-PE - 3212196

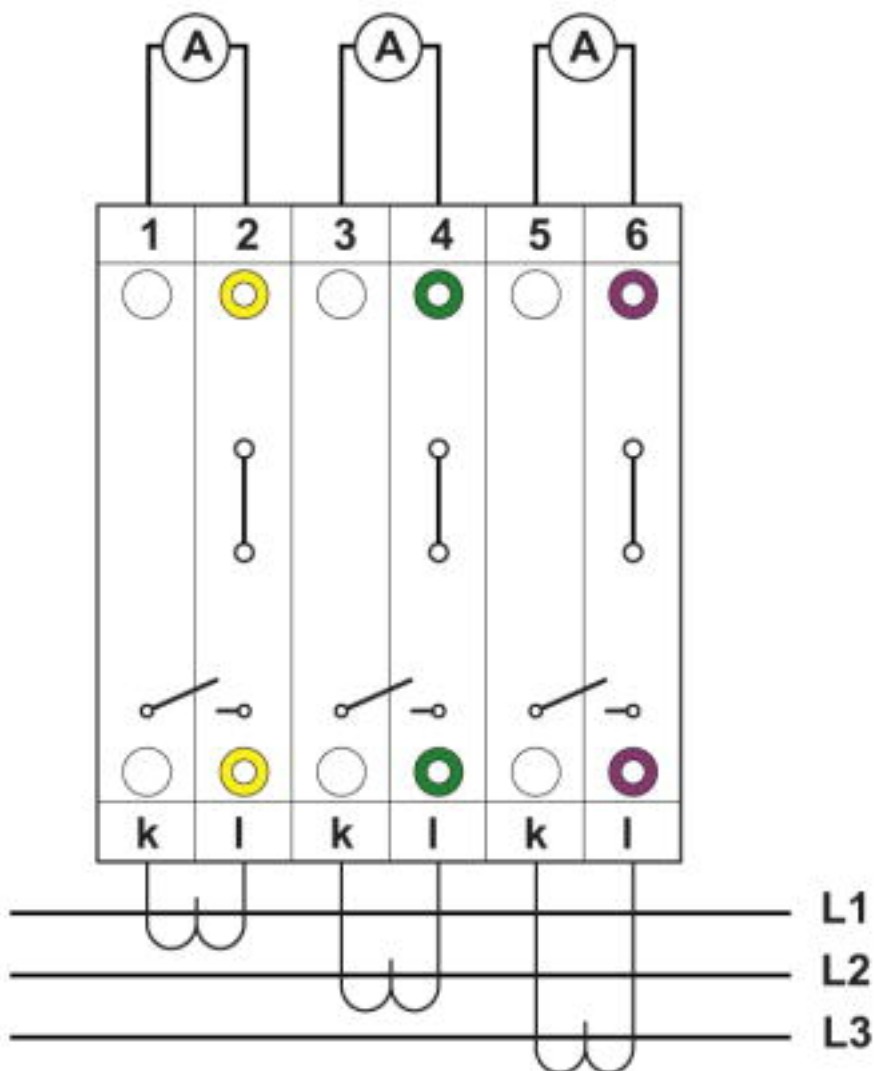
accessories

E/NS 35 N - 0800886



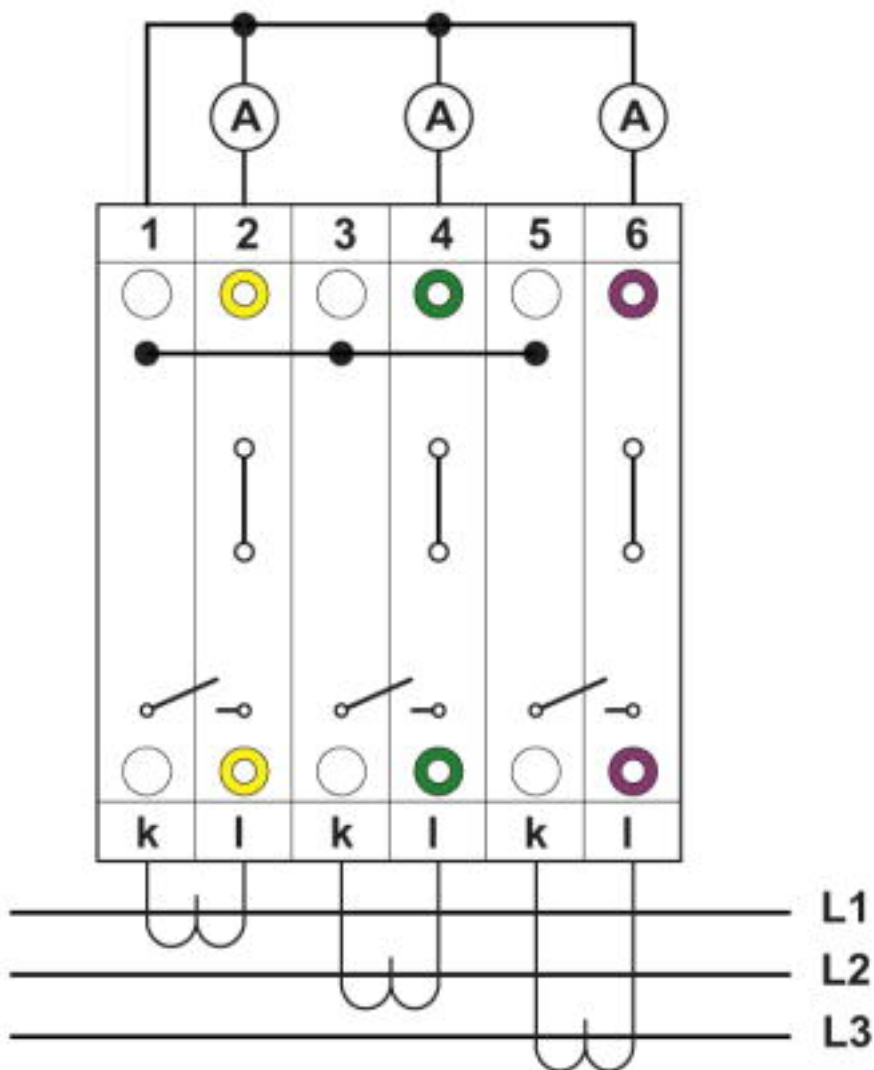
## Drawings

Connection diagram



# Ground modular terminal block - PTMED 6-PE - 3212196

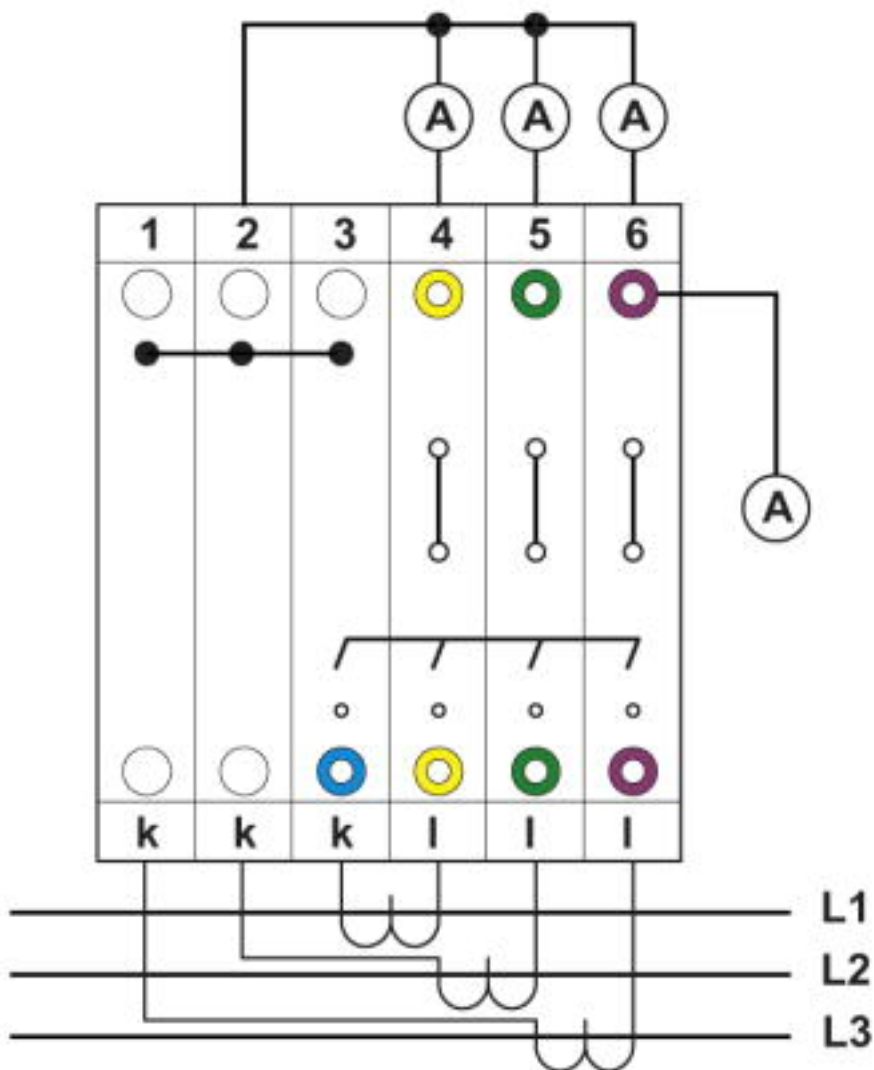
Connection diagram





# Ground modular terminal block - PTMED 6-PE - 3212196

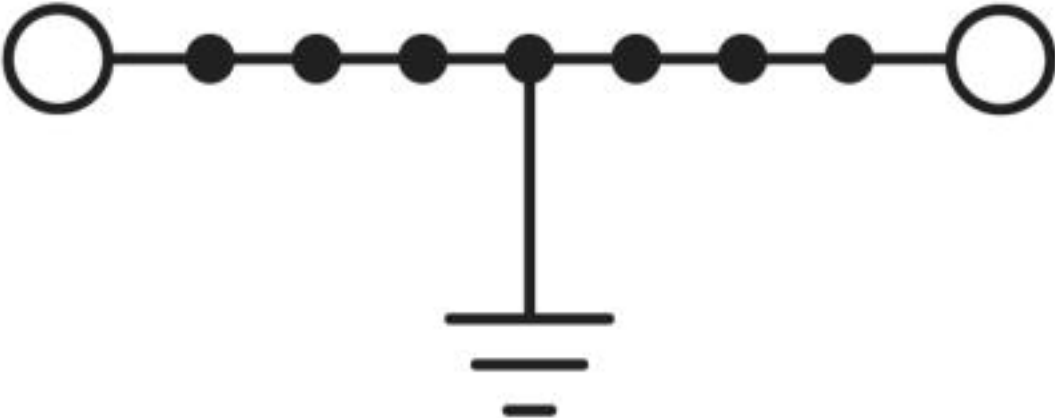
Connection diagram



chained

# Ground modular terminal block - PTMED 6-PE - 3212196

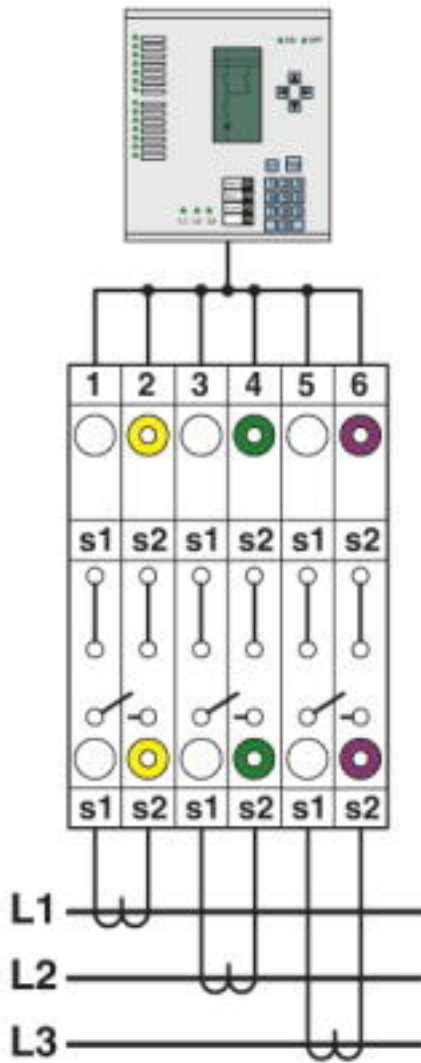
Circuit diagram





# Ground modular terminal block - PTMED 6-PE - 3212196

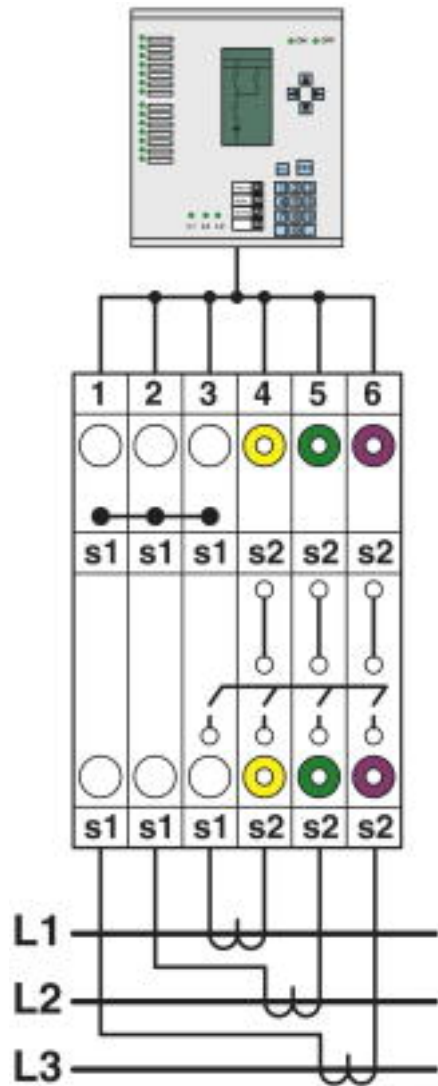
Schematic diagram



Simple three-phase current transformer set

# Ground modular terminal block - PTMED 6-PE - 3212196

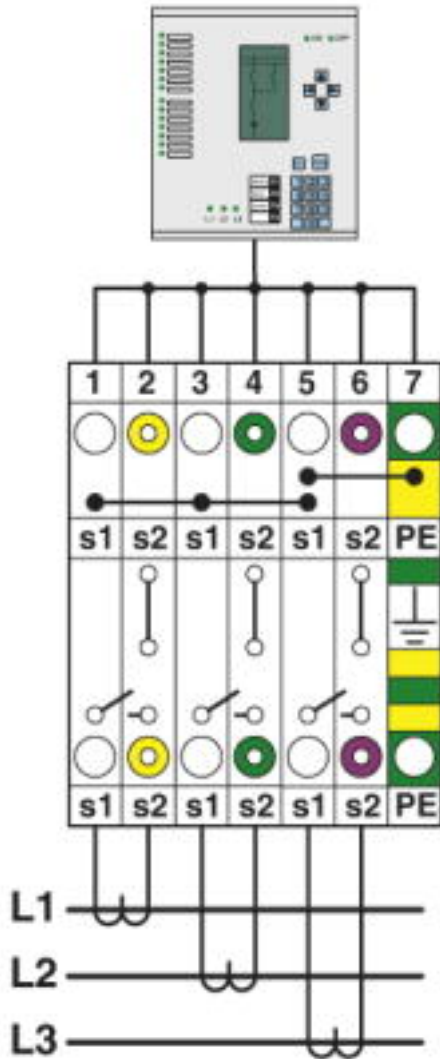
Schematic diagram



Interlinked three-phase current transformer set

# Ground modular terminal block - PTMED 6-PE - 3212196

Schematic diagram



Interlinked three-phase current transformer set with grounded star point

© Phoenix Contact 2013 - all rights reserved  
<http://www.phoenixcontact.com>