

## EMC housing - HC-B 24-TMB-100/O1STM40G-EMV - 1604573

Please be informed that the data shown in this PDF Document is generated from our Online Catalog. Please find the complete data in the user's documentation. Our General Terms of Use for Downloads are valid (<http://download.phoenixcontact.com>)



HEAVYCON ADVANCE EMV sleeve housing B24, with bayonet locking, height 100 mm, with 1x M40 thread, straight cable outlet

### Key commercial data

package_quantity	10
GTIN	4017918948252

### Technical data

#### Dimensions

Height	100 mm
Width	57 mm
Length	152 mm
Length of the assembly cutout	112 mm
Width of the assembly cutout	35 mm

#### Ambient conditions

Degree of protection for housing	IP65
Degree of protection for housing	IP67
Ambient temperature (operation)	-40 °C ... 125 °C

#### General

Note	For contact inserts HC-B24, BB46, D64, DD108, HV10/16, M
Design	B24
Housing type	Sleeve housings
Locking type	Bayonet locking
Cable exit	Straight
Screw connection	None
Type of the screw connection	1x M40
Housing material	Aluminum die-cast
Housing surface material	EMC coating, silver
Seal material	NBR, conductive
Material lock	High-grade steel
Material grip body interlock	PA-GF
Assembly instructions	In order to guarantee that the ground conductor contact functions even when plugged in at an angle, the two panel mounting flanges

# EMC housing - HC-B 24-TMB-100/O1STM40G-EMV - 1604573

## Technical data

### General

	must have sufficient electrical contact with the metal mounting panel.
<b>Connection</b>	If insulating powder coating is present on the control cabinet panel, it should be removed from the profile gasket area in order to ensure optimum shielding.

## classifications

### eCl@ss

<b>eCl@ss 4.0</b>	272607xx
<b>eCl@ss 4.1</b>	27260701
<b>eCl@ss 5.0</b>	27143424
<b>eCl@ss 5.1</b>	27143424
<b>eCl@ss 6.0</b>	27371205
<b>eCl@ss 7.0</b>	27371205
<b>eCl@ss 8.0</b>	27371205

### ETIM

<b>ETIM 2.0</b>	EC000437
<b>ETIM 3.0</b>	EC000437
<b>ETIM 4.0</b>	EC000437
<b>ETIM 5.0</b>	EC000437

### UNSPSC

<b>UNSPSC 6.01</b>	31261502
<b>UNSPSC 7.0901</b>	31261502
<b>UNSPSC 11</b>	31261502
<b>UNSPSC 12.01</b>	31261502
<b>UNSPSC 13.2</b>	31261502

## accessories

### Panel mounting flange

HC-B-BF - 1604641



## EMC housing - HC-B 24-TMB-100/O1STM40G-EMV - 1604573

accessories

HC-B-BF-SET - 1604654



---

### Protective cover

HC-B 24-TMB-SD-IP65 - 1690969



---

### Full screw connection

HC-EMV-KV-M40(19-28) - 1690545

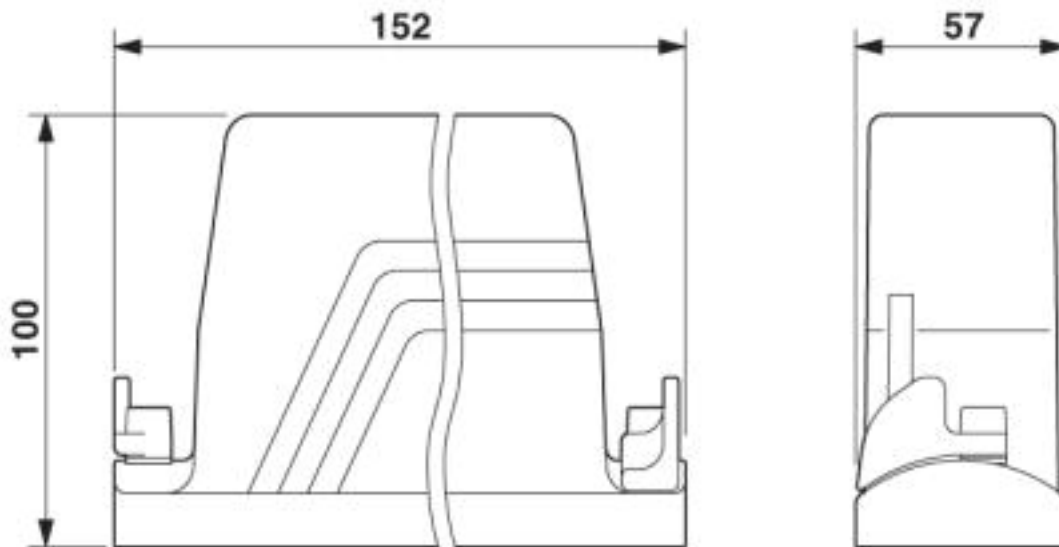


---

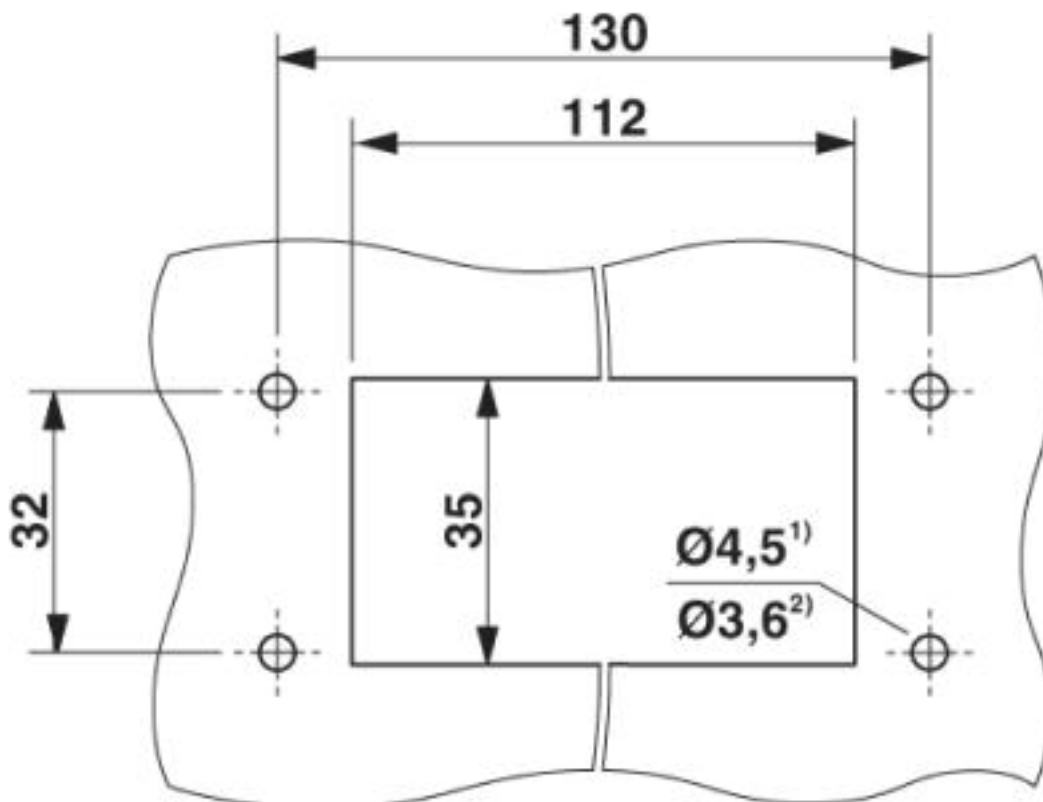
Drawings

# EMC housing - HC-B 24-TMB-100/O1STM40G-EMV - 1604573

Dimensioned drawing



Dimensioned drawing



Panel cutout<sup>2)</sup> When self-tapping screws are used (Torx® 20, M4)

