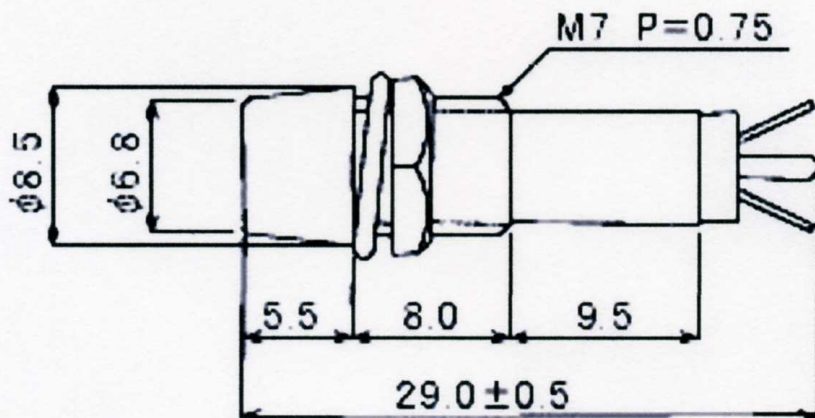


SEDECO B-403 12V or 24V INDICATOR LIGHT

Unit: mm



DATA	
Material of Body	Polycarbonate Resin
Color	Red, Blue, Green or Transparent
Voltage Breakdown	AC 1000V / minute
Insulation Resistance	DC 500V 100MOhm or more
Operating Temperature	-20°C ~ +75°C
Shape of Terminal	Solder Terminal
Thread	$\Phi 7.0\text{mm}$ X Length 8.0mm Pitch = 0.75mm
Mounting Hole (Recommended)	$\Phi 7.2\text{mm}$
Voltage	12V or 24V