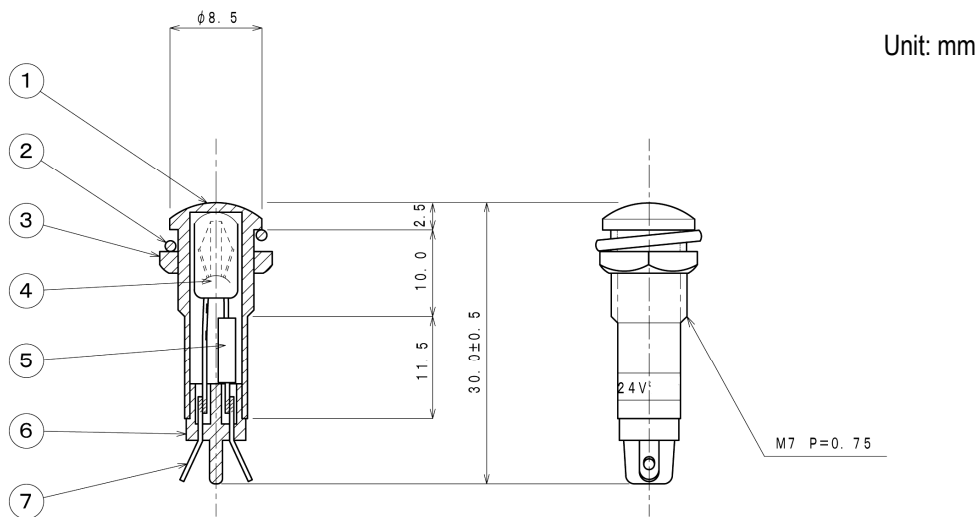


Filament Bracket, 12V, 24V

Version 06/14

Colour: Red, Green, Clear, Blue

Item no. B-405



Unit: mm

Construction :

	Materials	Finish
① Body	Polycarbonate	red, green, clear, blue (UL flame class V-2)
② Spring / Washer	SWP	Ni-3
③ Hex Nut	BSBM2	Ni-3
④ Lamp		12 V, 24 V
⑤ Insulation Tube	IRRAX Tube	black
⑥ Insulation Mould	NORIL	black
⑦ Terminal	BSP	Ni-3

Data :

Material of Body	polycarbonate resin
Voltage Breakdown	AC 1000 V / minute
Insulation Resistance	DC 500 V 100 M Ω or more
Operating Temperature	-20 °C to +75 °C
Shape of Terminal	solder terminal
Thread	Φ 7.0 mm X length 10.0 mm pitch = 0.75 mm
Mounting Hole (Recommended)	Φ7.2 mm
Voltage	12 V or 24 V
Power Consumption	12 V : 0.4 W 24 V : 0.8 W

Distributed by Conrad Electronic SE

This data sheet is a publication by Conrad Electronic SE, Klaus-Conrad-Str. 1, D-92240 Hirschau (www.conrad.com). All rights including translation reserved. Reproduction by any method, e.g. photocopy, microfilming, or the capture in electronic data processing systems require the prior written approval by the editor. Reprinting, also in part, is prohibited. This data represent the technical status at the time of printing. Changes in technology and equipment reserved.