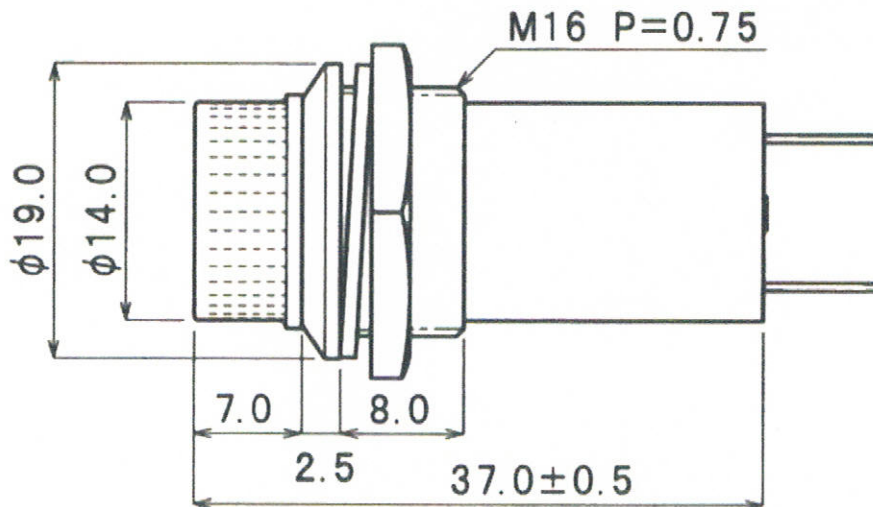


# SEDECO B-114 INDICATOR LIGHT w/E-10 Lamp

Unit: mm



DATA	
Material of Body	Phenol Resin + Chrome Plated Brass
Color	Red, Blue, Transparent, Green
Voltage Breakdown	AC 500V / minute
Insulation Resistance	DC 500V 100MOhm or more
Max. Rating	1000mW
Operating Temperature	-20°C ~ +75°C
Terminal	Solder Terminal
Thread	$\phi 16.0\text{mm} \times L 8.0\text{mm}$ Pitch = 0.75mm
Mounting Hole (Recommended)	$\phi 16.5\text{mm}$
Lamp	E-10 12V/110mA