

B-406 Filament Bracket, 12V, 24V

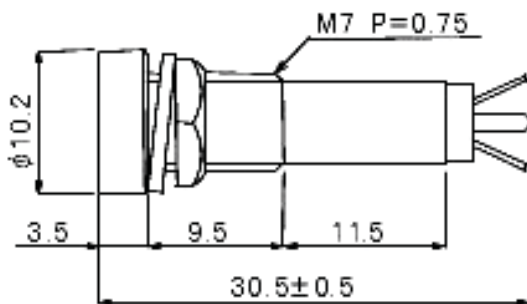
Version 06/14

Colour: Blue, Red, Green, Transparent

Item no. 720186, 720200, 720212, 720226, 720238, 720250, 520262, 720274



Unit: mm



Data :

Material of Body	Polycarbonate Resin
Color	Blue, Red, Green or Transparent
Voltage Breakdown	AC 1000 V / minute
Insulation Resistance	DC 500 V 100M Ohm or more
Operating Temperature	-20 °C to +75 °C
Shape of Terminal	Solder Terminal
Thread	Φ 7.0 mm X Length 9.5 mm Pitch = 0.75 mm
Mounting Hole (Recommended)	Φ7.2 mm
Voltage	12 V or 24 V
Power Consumption	35 mA

item no.	color	voltage
720186	blue	12 V
720200	red	12 V
720212	green	12 V
720226	transparent	12 V
720238	blue	24 V
720250	red	24 V
520262	green	24 V
720274	transparent	24 V

Distributed by Conrad Electronic SE

This data sheet is a publication by Conrad Electronic SE, Klaus-Conrad-Str. 1, D-92240 Hirschau (www.conrad.com). All rights including translation reserved. Reproduction by any method, e.g. photocopy, microfilming, or the capture in electronic data processing systems require the prior written approval by the editor. Reprinting, also in part, is prohibited. This data represent the technical status at the time of printing. Changes in technology and equipment reserved.

© Copyright 2013 by Conrad Electronic SE.