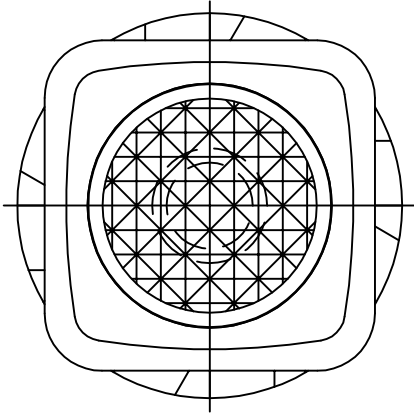
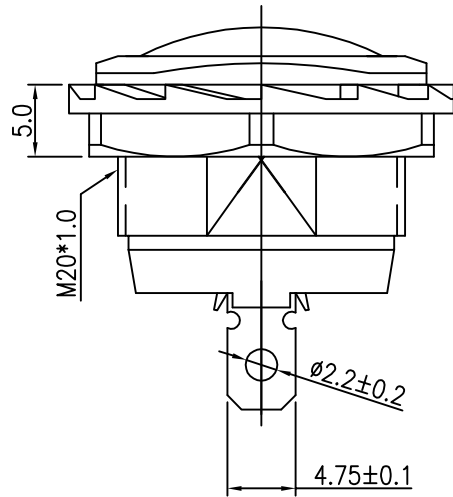
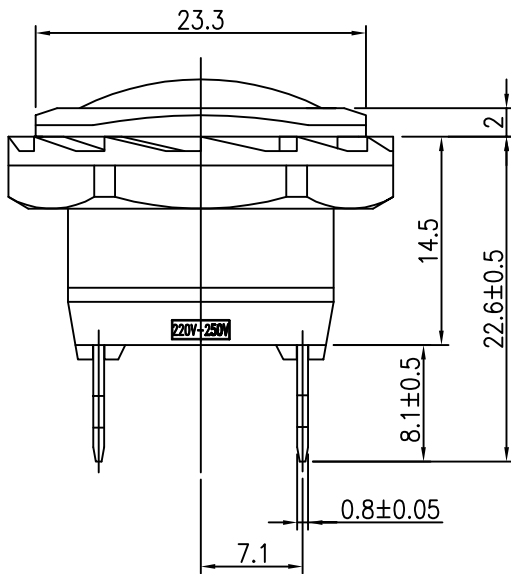


Rating	230V AC		
Contact Resistance	50m ohm Max.		
Insulation Resistance	DC 500V 100M ohm Min.		
Dielectric Strength	AC 1500V 1 minute		
Operation Temperature	-20°C~85°C		



Material:
 Frame: Nylon 66, Black
 Lens: PC, Yellow



Tolerances Unless Otherwise Specified ± 0.3

A4

							△		
							△		
Date		Name		Description				No.	
Drawn	Checked	Approved	SCI BOM No.	Model Name		NEON Indicator			
邱 權			Customer No.	Model No.		R9-95N		Rev.	
12/16/10			Unit	mm				X0	