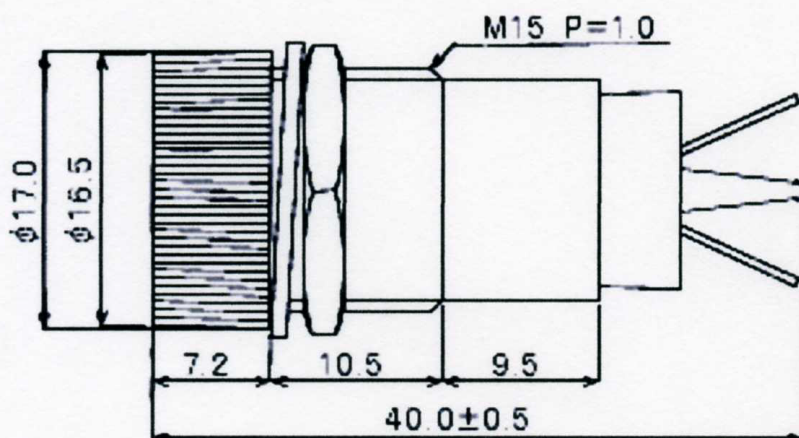


## SEDECO B-432 12V or 24V INDICATOR LIGHT

Unit: mm



DATA	
Material of Body	Acrylic Resin
Color	Red, Green, Transparent
Voltage Breakdown	AC 1000V / minute
Insulation Resistance	DC 500V 100MOhm or more
Operating Temperature	-20°C ~ +60°C
Shape of Terminal	Solder Terminal
Thread	$\Phi$ 15.0mm X L 10.5mm Pitch = 1.0mm
Mounting Hole (Recommended)	$\Phi$ 15.5 mm
Voltage	12V, 24V