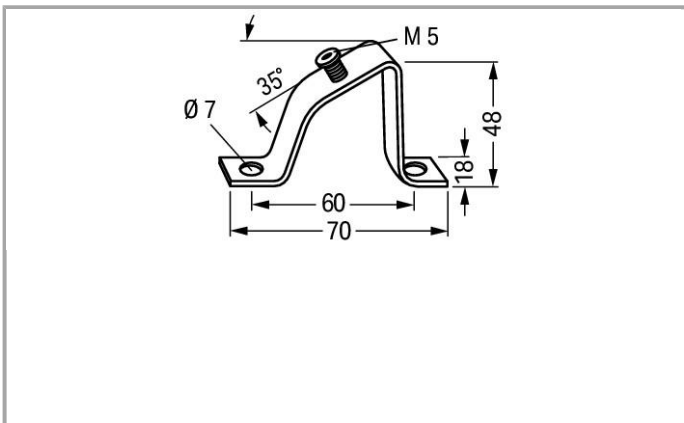


Data sheet | Item number: 210-148  
Angled support bracket; without screw

[www.wago.com/210-148](http://www.wago.com/210-148)



RoHS  Compliant 



Data  
Technical Data

Main product function

Mounting Accessories

## Geometrical Data

Abmessungen B x H x T (mm)	(18 x 48 x 72) mm
Width	18 mm / 0.709 inch
Abmessungen B x H x T (inch)	(0.709 x 1.89 x 2.835) inch
Height	48 mm / 1.89 inch
Depth	72 mm / 2.835 inch

## Material Data

Color	bluish, tinned, chromed, CR3
Weight	33 g

## Commercial data

Country of origin	IT
GTIN	4017332277198
Customs Tariff No.	73269098900
Product Group	2 (Terminal Block Accessories)

## Compatible products

### assembling



Item no.: 210-149  
Screw M 5 x 8; for angled support bracket

[www.wago.com/210-149](http://www.wago.com/210-149)

## Downloads

### Documentation

#### Bid Text

210-148	Oct 10, 2017	DOC 24.1 kB	Download
---------	--------------	----------------	----------

## smartDATA

### CAD data

3D Download 210-148	URL	Download
---------------------	-----	----------



Subject to changes.

---

WAGO Kontakttechnik GmbH & Co. KG  
Hansastr. 27  
32423 Minden  
Phone: +49571 887-0 | Fax: +49571 887-169  
Email: [info.de@wago.com](mailto:info.de@wago.com) | Web: [www.wago.com](http://www.wago.com)

Do you have any questions about our products?  
We are always happy to take your call at +49 (571) 887-44222.