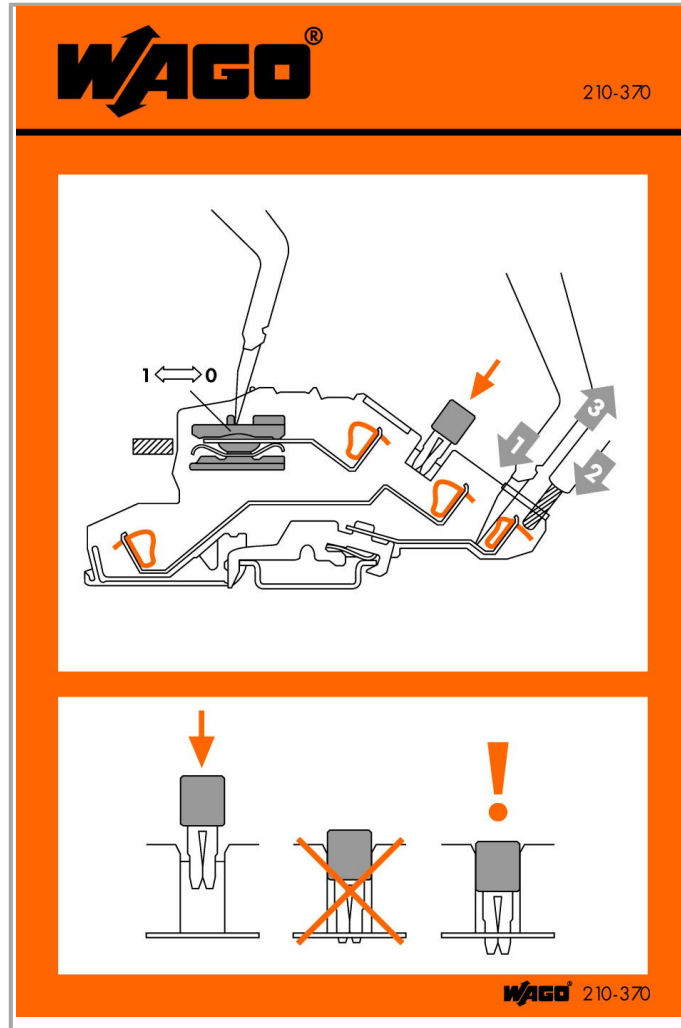


Data sheet | Item number: 210-370

Stickers for operating instructions; for TOPJOB® disconnect terminal blocks; 777, 780 to 784 Series

www.wago.com/210-370



RoHS Compliant

BOMcheck.net

Data

Mechanical data

Weight 1.796 g

Commercial data

Country of origin DE



GTIN	4017332329934
Customs Tariff No.	39199080888
Product Group	2 (Terminal Block Accessories)

Subject to changes.

WAGO Kontakttechnik GmbH & Co. KG
Hansastr. 27
32423 Minden
Phone: +49571 887-0 | Fax: +49571 887-169
Email: info.de@wago.com | Web: www.wago.com

Do you have any questions about our products?
We are always happy to take your call at +49 (571) 887-44222.