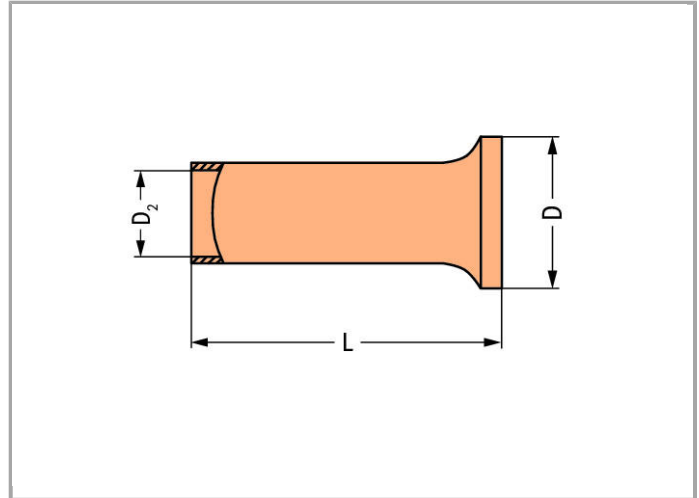
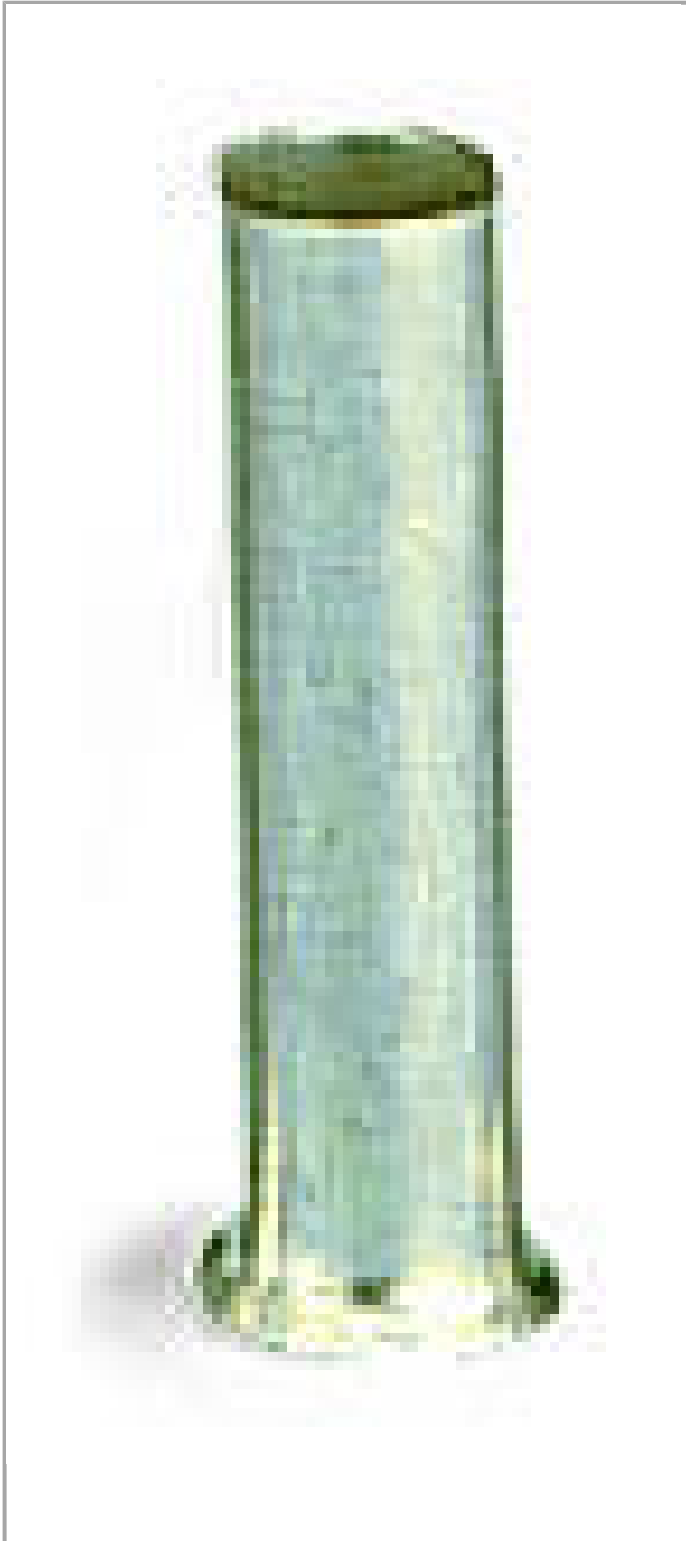


Data sheet | Item number: 216-101

Ferrule; Sleeve for 0.5 mm<sup>2</sup> / AWG 22; uninsulated; electro-tin plated

[www.wago.com/216-101](http://www.wago.com/216-101)



RoHS   
Compliant

[BOMcheck.net](https://www.bomcheck.net)

## Data

### Technical Data

Main product function	Ferrule
Querschnitt Hülse AWG	20 AWG
Hülse für	0.5 mm <sup>2</sup>

### Connection data

Strip length	8 mm / 0.31 Inch
--------------	------------------

### Geometrical Data

Length	8 mm
Diameter	2.1 mm
Diameter 2	1 mm

### Material Data

Weight	0.043 g
--------	---------

### Commercial data

Country of origin	DE
GTIN	4017332277617
Customs Tariff No.	85369010000
Product Group	2 (Terminal Block Accessories)

## Downloads

### Documentation

#### Bid Text

216-101	Oct 10, 2017	DOC 24.6 kB	Download
---------	--------------	----------------	----------



Subject to changes.

---

WAGO Kontakttechnik GmbH & Co. KG  
Hansastr. 27  
32423 Minden  
Phone: +49571 887-0 | Fax: +49571 887-169  
Email: [info.de@wago.com](mailto:info.de@wago.com) | Web: [www.wago.com](http://www.wago.com)

Do you have any questions about our products?  
We are always happy to take your call at +49 (571) 887-44222.