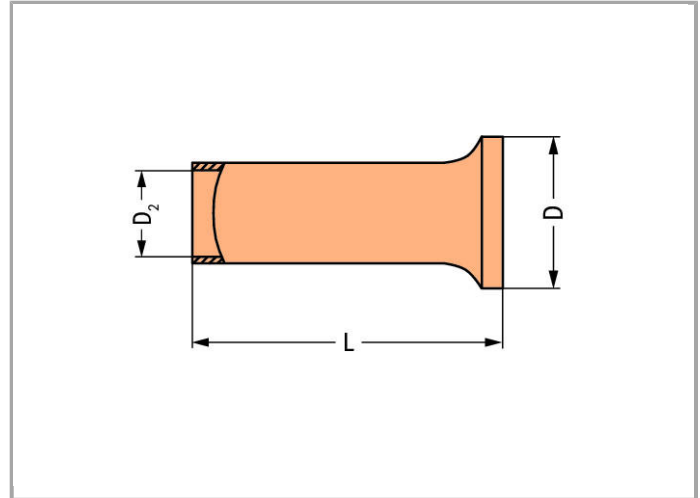


Data sheet | Item number: 216-109

Ferrule; Sleeve for 10 mm² / AWG 8; uninsulated; electro-tin plated

www.wago.com/216-109



Data
Technical Data



Main product function	Ferrule
Querschnitt Hülse AWG	8 AWG
Hülse für	10 mm ²

Connection data

Strip length	12 mm / 0.47 Inch
--------------	-------------------

Geometrical Data

Length	12 mm
Diameter	5.8 mm
Diameter 2	4.5 mm

Material Data

Weight	0.331 g
--------	---------

Commercial data

Country of origin	DE
GTIN	4017332277716
Customs Tariff No.	85369010000
Product Group	2 (Terminal Block Accessories)

Downloads

Documentation

Bid Text

216-109	Oct 10, 2017	DOC 24.6 kB	Download
---------	--------------	----------------	----------

Subject to changes.