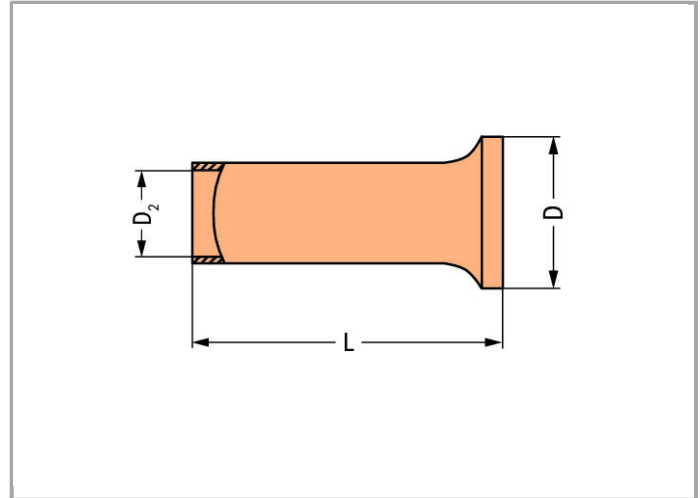
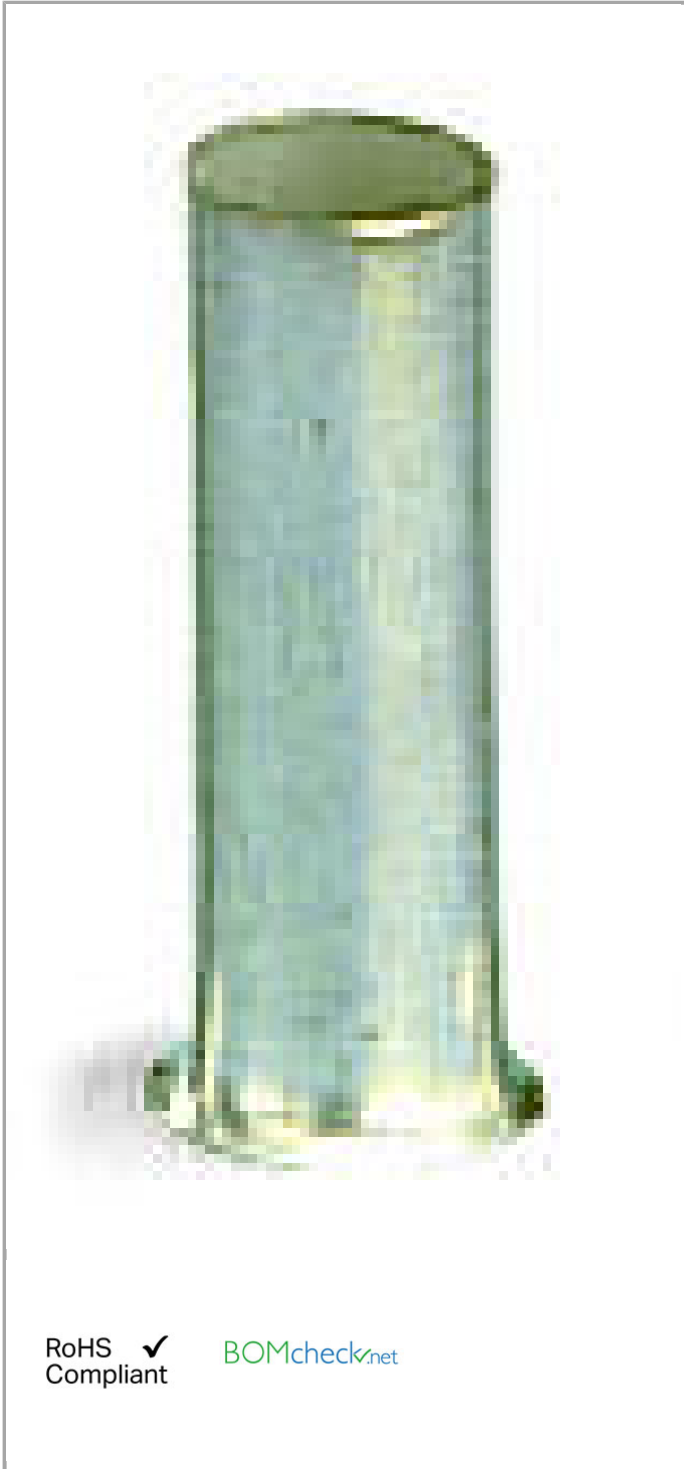


Data sheet | Item number: 216-124

Ferrule; Sleeve for 1.5 mm<sup>2</sup> / AWG 16; uninsulated; electro-tin plated

[www.wago.com/216-124](http://www.wago.com/216-124)



Data



## Technical Data

Main product function	Ferrule
Querschnitt Hülse AWG	16 AWG
Hülse für	1.5 mm <sup>2</sup>

## Connection data

Strip length	6 mm / 0.24 Inch
--------------	------------------

## Geometrical Data

Length	6 mm
Diameter	2.8 mm
Diameter 2	1.7 mm

## Material Data

Weight	0.052 g
--------	---------

## Commercial data

Country of origin	DE
GTIN	4017332277662
Customs Tariff No.	85369010000
Product Group	2 (Terminal Block Accessories)

## Downloads

### Documentation

#### Bid Text

216-124	Oct 10, 2017	DOC 24.6 kB	Download
---------	--------------	----------------	----------

Subject to changes.