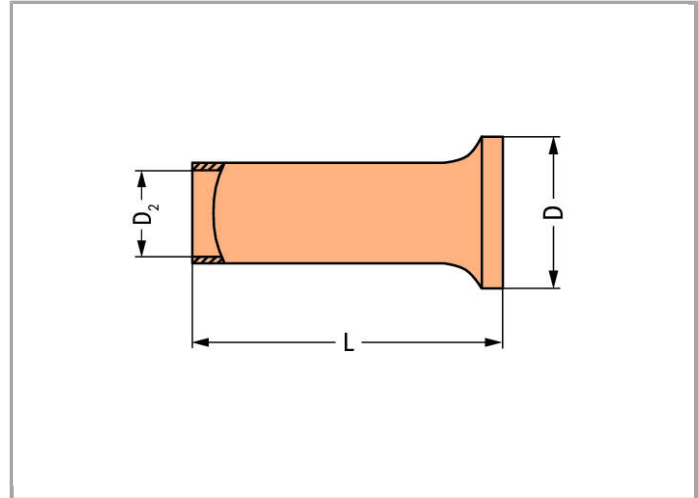


Data sheet | Item number: 216-151

Ferrule; Sleeve for 0.25 mm<sup>2</sup> / AWG 24; uninsulated; electro-tin plated

[www.wago.com/216-151](http://www.wago.com/216-151)



Data

Technical Data

Main product function	Ferrule
Querschnitt Hülse AWG	24 AWG
Hülse für	0.25 mm <sup>2</sup>



### Connection data

Strip length	5 mm / 0.2 Inch
--------------	-----------------

### Geometrical Data

Length	5 mm
Diameter	1.7 mm
Diameter 2	0.75 mm

### Material Data

Weight	0.021 g
--------	---------

### Commercial data

Country of origin	DE
GTIN	4017332277563
Customs Tariff No.	85369010000
Product Group	2 (Terminal Block Accessories)

### Downloads

#### Documentation

#### Bid Text

216-151	Oct 10, 2017	DOC 24.6 kB	Download
---------	--------------	----------------	----------

Subject to changes.