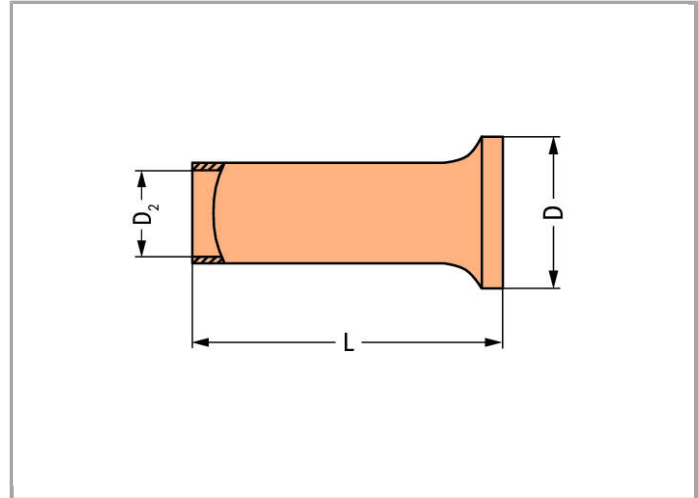


Data sheet | Item number: 216-152

Ferrule; Sleeve for 0.34 mm² / AWG 24; uninsulated; electro-tin plated

www.wago.com/216-152



Data

Technical Data

Main product function	Ferrule
Querschnitt Hülse AWG	22 AWG
Hülse für	0.34 mm ²



Connection data

Strip length	5 mm / 0.2 Inch
--------------	-----------------

Geometrical Data

Length	5 mm
Diameter	1.8 mm
Diameter 2	0.85 mm

Material Data

Weight	0.022 g
--------	---------

Commercial data

Country of origin	DE
GTIN	4017332277587
Customs Tariff No.	85369010000
Product Group	2 (Terminal Block Accessories)

Downloads

Documentation

Bid Text

216-152	Oct 10, 2017	DOC 24.6 kB	Download
---------	--------------	----------------	----------

Subject to changes.